

Price: \$10.50

**SDS 930 COMPUTER  
CENTRAL PROCESSOR**  
Logic Layouts,  
Current and History

SDS 900592C

July 1966

This publication incorporates all previous changes and supersedes all previous revisions including SDS 900592B-1 dated May 1965, revised July 1966.

**SDS**

SCIENTIFIC DATA SYSTEMS • 1649 Seventeenth Street • Santa Monica, Calif. • (213) 871-0960

**LIST OF EFFECTIVE PAGES**

Total number of pages is 166, as follows:

Page No.	Issue	Page No.	Issue
Title .....	July 1966		
A .....	July 1966		
1 thru 164 .....	July 1966		

PAGE	CHG	PAGE	CHG	PAGE	CHG	PAGE	CHG	PAGE	CHG	PAGE	CHG	PAGE	CHG
1	A	61	A	121	A	181	A	241					
2	A	62	A	122	A	182	A	242					
3	A	63	A	123	A	183	A	243					
4	A	64	A	124	A	184	A	244					
5	A	65	A	125	A	185	A	245					
6	A	66	A	126	A	186	A	246					
7	A	67	A	127	A	187	A	247					
8		68	A	128	A	188	A	248					
9		69	A	129	A	189	A	249					
10		70	A	130	A	190	A	250					
11		71	A	131	A	191	A	251					
12		72	A	132	A	192	A	252					
13		73	A	133	A	193	A	253					
14		74	A	134	A	194	A	254					
15		75	A	135	A	195	A	255					
16		76	A	136	A	196	A	256					
17		77	A	137	A	197	A	257					
18		78	A	138	A	198	A	258					
19		79	A	139	A	199	A	259					
20		80	A	140	A	200	A	260					
21		81	A	141	A	201	A	261					
22		82	A	142	A	202	A	262					
23		83	A	143	A	203	A	263					
24		84	A	144	A	204	A	264					
25		85	A	145	A	205	A	265					
26		86	A	146	A	206	A	266					
27		87	A	147	A	207	A	267					
28	A	88	A	148	A	208	A	268					
29	A	89	A	149	A	209	A	269					
30	A	90	A	150	A	210	A	270					
31	A	91	A	151	A	211	A	271					
32	A	92	A	152	A	212	A	272					
33	A	93	A	153	A	213	A	273					
34	A	94	A	154	A	214	A	274					
35	A	95	A	155	A	215	A	275					
36	A	96	A	156	A	216	A	276					
37	A	97	A	157	A	217	A	277					
38	A	98	A	158	A	218	A	278					
39	A	99	A	159	A	219	A	279					
40	A	100	A	160	A	220	A	280					
41	A	101	A	161	A	221	A	281					
42	A	102	A	162	A	222	A	282					
43	A	103	A	163	A	223	A	283					
44	A	104	A	164	A	224	A	284					
45	A	105	A	165	A	225	A	285					
46	A	106	A	166	A	226	A	286					
47	A	107	A	167	A	227	A	287					
48	A	108	A	168	A	228	A	288					
49	A	109	A	169	A	229	A	289					
50	A	110	A	170	A	230	A	290					
51	A	111	A	171	A	231	A	291					
52	A	112	A	172	A	232	A	292					
53	A	113	A	173	A	233	A	293					
54	A	114	A	174	A	234	A	294					
55	A	115	A	175	A	235	A	295					
56	A	116	A	176	A	236	A	296					
57	A	117	A	177	A	237	A	297					
58	A	118	A	178	A	238	A	298					
59	A	119	A	179	A	239	A	299					
60	A	120	A	180	A	240	A	300					

NOTES:  
1. REVISION LETTERS LISTED INDICATE STATUS OF EACH SHEET OF THIS MULTIPLE SHEET DRAWING.  
2. CHECK INDIVIDUAL SHEETS FOR REVISION LETTER AGAINST THIS SHEET BEFORE USING THIS DRAWING.

REFERENCE DESIGNATIONS  
ARE ABBREVIATED.  
PREFIX THE DESIGNATION  
WITH UNIT NUMBER  
OR ASSEMBLY DESIGNATION  
OR BOTH. (MIL. STD. 16B)

930  
PAGE 1  
A

REVISIONS			
REV.	DESCRIPTION	DATE	APPROVED
A	REL. TO NEW	27	John

**SDS**  
SANTA ANITA, CALIFORNIA

DIAGRAM, LOGIC  
COMPUTER

930 DWG. NO. 106407 SHEET A

SCALE DO NOT SCALE DRAWING SHEET

A|106407|

PAGE	CHG	PAGE	CHG	PAGE	CHG	PAGE	CHG	PAGE	CHG	PAGE	CHG
1		61		121		181		241			
2	B	62	A	122		182		242			
3	A	63	A	123		183		243			
4	A	64	A	124		184		244			
5	A	65	B	125		185		245			
6	A	66	B	126		186		246			
7	A	67	A	127		187		247			
8		68	A	128		188		248			
9		69	A	129		189		249			
10		70	A	130		190		250			
11		71	A	131		191		251			
12		72	B	132		192		252			
13		73	B	133		193		253			
14		74	A	134		194		254			
15		75	A	135		195		255			
16		76	A	136		196		256			
17		77	A	137		197		257			
18		78	A	138		198		258			
19		79	A	139		199		259			
20		80	A	140		200		260			
21		81	A	141		201		261			
22		82	R	142		202		262			
23		83	A	143		203		263			
24		84	B	144		204		264			
25		85	A	145		205		265			
26		86	A	146		206		266			
27		87		147		207		267			
28	A	88		148		208		268			
29	A	89		149		209		269			
30	B	90		150		210		270			
31	A	91		151		211		271			
32	A	92		152		212		272			
33	A	93		153		213		273			
34	B	94		154		214		274			
35	A	95		155		215		275			
36	A	96		156		216		276			
37	A	97		157		217		277			
38	A	98		158		218		278			
39	A	99		159		219		279			
40	A	100		160		220		280			
41	A	101		161		221		281			
42	A	102		162		222		282			
43	A	103		163		223		283			
44	A	104		164		224		284			
45	A	105		165		225		285			
46	A	106		166		226		286			
47	A	107		167		227		287			
48	A	108		168		228		288			
49	A	109		169		229		289			
50	A	110		170		230		290			
51	A	111		171		231		291			
52	A	112		172		232		292			
53	B	113		173		233		293			
54	A	114		174		234		294			
55	A	115		175		235		295			
56	A	116		176		236		296			
57	A	117		177		237		297			
58	A	118		178		238		298			
59	A	119		179		239		299			
60	A	120		180		240		300			

NOTES:  
1. REVISION LETTERS LISTED INDICATE STATUS OF EACH SHEET OF THIS MULTIPLE SHEET DRAWING.  
2. CHECK INDIVIDUAL SHEETS FOR REVISION LETTER AGAINST THIS SHEET BEFORE USING THIS DRAWING.

REFERENCE DESIGNATIONS  
ARE ABBREVIATED.  
PREFIX THE DESIGNATION  
WITH UNIT NUMBER  
OR ASSEMBLY DESIGNATION  
OR BOTH. (MIL. STD. 16B)

930  
PAGE 1  
B

REVISIONS				106407	B
REV.	DESCRIPTION	CHK.	DATE	APPROVED	
A	REL. TO PAGES	24	5/24/72	J. M. J.	
B	SEE REV E0				

TITLE	
DIAGRAM, LOGIC COMPUTER	
930	106407
SCALE	DO NOT SCALE DRAWING SHEET /

B 106407

PAGE	CHG	PAGE	CHG	PAGE	CHG	PAGE	CHG	PAGE	CHG	PAGE	CHG
1		61		121		181		241		300	
2	C	62	A	122		182		242			
3	C	63	C	123		183		243			
4	C	64	A	124		184		244			
5	A	65	B	125		185		245			
6	A	66	B	126		186		246			
7	A	67	A	127		187		247			
8		68	C	128		188		248			
9		69	A	129		189		249			
10		70	A	130		190		250			
11		71	A	131		191		251			
12		72	B	132		192		252			
13		73	B	133		193		253			
14		74	A	134		194		254			
15		75	A	135		195		255			
16		76	A	136		196		256			
17		77	A	137		197		257			
18		78	A	138		198		258			
19		79	A	139		199		259			
20		80	C	140		200		260			
21		81	A	141		201		261			
22		82	R	142		202		262			
23		83	A	143		203		263			
24		84	B	144		204		264			
25		85	A	145		205		265			
26		86	C	146		206		266			
27		87		147		207		267			
28		88		148		208		268			
29	A	89		149		209		269			
30	B	90		150		210		270			
31	A	91		151		211		271			
32	A	92		152		212		272			
33	A	93		153		213		273			
34	B	94		154		214		274			
35	A	95		155		215		275			
36	A	96		156		216		276			
37	A	97		157		217		277			
38	A	98		158		218		278			
39	A	99		159		219		279			
40	A	100		160		220		280			
41	A	101		161		221		281			
42	A	102		162		222		282			
43	A	103		163		223		283			
44	A	104		164		224		284			
45	A	105		165		225		285			
46	A	106		166		226		286			
47	A	107		167		227		287			
48	A	108		168		228		288			
49	A	109		169		229		289			
50	C	110		170		230		290			
51	A	111		171		231		291			
52	A	112		172		232		292			
53	B	113		173		233		293			
54	A	114		174		234		294			
55	A	115		175		235		295			
56	A	116		176		236		296			
57	A	117		177		237		297			
58	A	118		178		238		298			
59	A	119		179		239		299			
60	A	120		180		240		300			

NOTES:  
1. REVISION LETTERS LISTED INDICATE STATUS OF EACH SHEET OF THIS MULTIPLE SHEET DRAWING.  
2. CHECK INDIVIDUAL SHEETS FOR REVISION LETTER AGAINST THIS SHEET BEFORE USING THIS DRAWING.

REFERENCE DESIGNATIONS  
ARE ABBREVIATED.  
PREFIX THE DESIGNATION  
WITH UNIT NUMBER  
OR ASSEMBLY DESIGNATION  
OR BOTH. (MIL. STD. 16B)

930  
PAGE 1  
C

REVISIONS			
REV.	DESCRIPTION	CHK	DATE
A	REL TO MEX		
B	SEE REV EC		
C	SEE REV EO		

**SDS**  
SCIENTIFIC DATA SYSTEMS  
SANTA MONICA, CALIFORNIA

TITLE  
**DIAGRAM, LCGIC  
COMPUTER**

930	106407	C
-----	--------	---

SCALE: DO NOT SCALE DRAWING SHEET /

C 106407

PAGE	CHG	PAGE	CHG	PAGE	CHG	PAGE	CHG	PAGE	CHG	PAGE	CHG
1		61		121	A	181		241			
2	B	62	C	122		182		242			
3	C	63	D	123	A	183		243			
4	D	64	C	124	A	184		244			
5	C	65	A	125	B	185		245			
6	A	66	B	126	D	186		246			
7	A	67	A	127	A	187		247			
8	A	68	C	128	C	188		248			
9	A	69	A	129	A	189		249			
10	A	70	A	130	A	190		250			
11	A	71	A	131	A	191		251			
12	A	72	B	132	B	192		252			
13	A	73	B	133	B	193		253			
14	A	74	A	134	A	194		254			
15	A	75	A	135	A	195		255			
16	A	76	A	136	A	196		256			
17	A	77	A	137	A	197		257			
18	A	78	D	138	D	198		258			
19	A	79	A	139	A	199		259			
20	A	80	D	140	D	200		260			
21	A	81	A	141	A	201		261			
22	A	82	A	142	A	202		262			
23	A	83	A	143	A	203		263			
24	A	84	D	144	D	204		264			
25	A	85	A	145	A	205		265			
26	A	86	C	146	C	206		266			
27	A	87	A	147	A	207		267			
28	A	88	A	148	A	208		268			
29	A	89	A	149	A	209		269			
30	B	90	B	150	B	210		270			
31	A	91	A	151	A	211		271			
32	A	92	A	152	A	212		272			
33	A	93	A	153	A	213		273			
34	B	94	B	154	B	214		274			
35	A	95	A	155	A	215		275			
36	A	96	A	156	A	216		276			
37	A	97	A	157	A	217		277			
38	A	98	A	158	A	218		278			
39	A	99	A	159	A	219		279			
40	A	100	A	160	A	220		280			
41	A	101	A	161	A	221		281			
42	A	102	A	162	A	222		282			
43	A	103	A	163	A	223		283			
44	A	104	A	164	A	224		284			
45	A	105	A	165	A	225		285			
46	A	106	A	166	A	226		286			
47	A	107	A	167	A	227		287			
48	A	108	A	168	A	228		288			
49	D	109	D	169	D	229		289			
50	D	110	D	170	D	230		290			
51	A	111	A	171	A	231		291			
52	A	112	A	172	A	232		292			
53	B	113	B	173	B	233		293			
54	A	114	A	174	A	234		294			
55	A	115	A	175	A	235		295			
56	A	116	A	176	A	236		296			
57	A	117	A	177	A	237		297			
58	A	118	A	178	A	238		298			
59	A	119	A	179	A	239		299			
60	D	120	D	180	D	240		300			

930  
PAGE 1  
D

NOTES:  
1. REVISION LETTERS LISTED INDICATE STATUS OF EACH SHEET OF THIS MULTIPLE SHEET DRAWING.  
2. CHECK INDIVIDUAL SHEETS FOR REVISION LETTER AGAINST THIS SHEET BEFORE USING THIS DRAWING.

REFERENCE DESIGNATIONS  
ARE ABBREVIATED.  
PREFIX THE DESIGNATION  
WITH UNIT NUMBER  
OR ASSEMBLY DESIGNATION  
OR BOTH. (MIL. STD. 168)

REVISIONS				106407	2
REV.	DESCRIPTION	CHK	DATE	APPROVED	
A	REL. To 930	27	8/22	Tomist	
B	SEE REV EO				
C	SEE REV EO				
D	SEE REV EO				

**SDS**  
SCIENTIFIC DATA SYSTEMS  
SANTA MONICA, CALIFORNIA

DIAGRAM, LOGIC  
COMPUTER

930      DWS. NO. 106407      SHEET D

SCALE      DO NOT SCALE DRAWING      SHEET /

106407

PAGE	CHG	PAGE	CHG	PAGE	CHG	PAGE	CHG	PAGE	CHG	PAGE	CHG
1	E	61		121		181		241			
2	E	62		122		182		242			
3	D	63		123		183		243			
4	C	64		124		184		244			
5	A	65		125		185		245			
6	A	66		126		186		246			
7	A	67		127		187		247			
8		68		128		188		248			
9		69		129		189		249			
10		70		130		190		250			
11		71		131		191		251			
12		72		132		192		252			
13		73		133		193		253			
14		74		134		194		254			
15		75		135		195		255			
16		76		136		196		256			
17		77		137		197		257			
18		78		138		198		258			
19		79		139		199		259			
20		80		140		200		260			
21		81		141		201		261			
22		82		142		202		262			
23		83		143		203		263			
24		84		144		204		264			
25		85		145		205		265			
26		86		146		206		266			
27		87		147		207		267			
28		88		148		208		268			
29		89		149		209		269			
30		90		150		210		270			
31		91		151		211		271			
32		92		152		212		272			
33		93		153		213		273			
34		94		154		214		274			
35		95		155		215		275			
36		96		156		216		276			
37		97		157		217		277			
38		98		158		218		278			
39		99		159		219		279			
40		100		160		220		280			
41		101		161		221		281			
42		102		162		222		282			
43		103		163		223		283			
44		104		164		224		284			
45		105		165		225		285			
46		106		166		226		286			
47		107		167		227		287			
48		108		168		228		288			
49		109		169		229		289			
50		110		170		230		290			
51		111		171		231		291			
52		112		172		232		292			
53		113		173		233		293			
54		114		174		234		294			
55		115		175		235		295			
56		116		176		236		296			
57		117		177		237		297			
58		118		178		238		298			
59		119		179		239		299			
60		120		180		240		300			

930  
PAGE 1  
E

NOTES:  
1. REVISION LETTERS LISTED INDICATE STATUS OF EACH SHEET OF THIS MULTIPLE SHEET DRAWING.  
2. CHECK INDIVIDUAL SHEETS FOR REVISION LETTER AGAINST THIS SHEET BEFORE USING THIS DRAWING.

REFERENCE DESIGNATIONS  
ARE ABBREVIATED.  
PREFIX THE DESIGNATION  
WITH UNIT NUMBER  
OR ASSEMBLY DESIGNATION  
OR BOTH. (MIL. STD. 16B)

REVISIONS				106407	E
REV.	DESCRIPTION	CHK	DATE	APPROVED	
A	REL. TO MFG.		24 July 1964	J. J. J.	
B	SEE REV E O				
C	SEE REV E O				
D	SEE REV E O				
E	SEE REV E O				

<b>SDS</b> SCIENTIFIC DATA SYSTEMS SANTA MONICA, CALIFORNIA			
TITLE <b>DIAGRAM, LOGIC COMPUTER</b>			
930	REV. NO. 106407	E	
SCALE	DO NOT SCALE DRAWING	SHEET /	

106407

PAGE	CHG	PAGE	CHG	PAGE	CHG	PAGE	CHG	PAGE	CHG	PAGE	CHG
1		61		121	A	181		241			
2	F	62		122	C	182		242			
3	D	63		123	A	183		243			
4	C	64		124	A	184		244			
5	A	65		125	E	185		245			
6	A	66		126	B	186		246			
7	A	67		127	A	187		247			
8		68		128	E	188		248			
9		69		129	A	189		249			
10		70		130	A	190		250			
11		71		131	F	191		251			
12		72		132	F	192		252			
13		73		133	B	193		253			
14		74		134	A	194		254			
15		75		135	A	195		255			
16		76		136	A	196		256			
17		77		137	A	197		257			
18		78		138	D	198		258			
19		79		139	A	199		259			
20		80		140	C	200		260			
21		81		141	A	201		261			
22		82		142	B	202		262			
23		83		143	A	203		263			
24		84		144	D	204		264			
25		85		145	A	205		265			
26		86		146	C	206		266			
27		87		147		207		267			
28	A	88		148		208		268			
29	A	89		149		209		269			
30	B	90		150		210		270			
31	A	91		151		211		271			
32	A	92		152		212		272			
33	A	93		153		213		273			
34	E	94		154		214		274			
35	A	95		155		215		275			
36	A	96		156		216		276			
37	A	97		157		217		277			
38	A	98		158		218		278			
39	A	99		159		219		279			
40	A	100		160		220		280			
41	A	101		161		221		281			
42	A	102		162		222		282			
43	A	103		163		223		283			
44	E	104		164		224		284			
45	A	105		165		225		285			
46	A	106		166		226		286			
47	A	107		167		227		287			
48	A	108		168		228		288			
49	D	109		169		229		289			
50	D	110		170		230		290			
51	A	111		171		231		291			
52	A	112		172		232		292			
53	B	113		173		233		293			
54	A	114		174		234		294			
55	A	115		175		235		295			
56	A	116		176		236		296			
57	A	117		177		237		297			
58	A	118		178		238		298			
59	A	119		179		239		299			
60	D	120		180		240		300			

NOTES:  
1. REVISION LETTERS LISTED INDICATE STATUS OF EACH SHEET OF THIS MULTIPLE SHEET DRAWING.  
2. CHECK INDIVIDUAL SHEETS FOR REVISION LETTER AGAINST THIS SHEET BEFORE USING THIS DRAWING.

REFERENCE DESIGNATIONS ARE ABBREVIATED. PREFIX THE DESIGNATION WITH UNIT NUMBER OR ASSEMBLY DESIGNATION OR BOTH. (MIL. STD. 168)

930  
PAGE 1  
F

REVISIONS			
REV.	DESCRIPTION	CHK	DATE
A	REL. TO REV.		
B	SEE REV E0		
C	SEE REV E0		
D	SEE REV E0		
E	SEE REV E0		
F	SEE REV E0		



DIAGRAM, LOGIC COMPUTER

930      106407      F

SCALE      DO NOT SCALE DRAWING      SHEET /

106407



PAGE	CHG	PAGE	CHG	PAGE	CHG	PAGE	CHG	PAGE	CHG	PAGE	CHG
1	G	61	A	121		181		241			
2	E	62	C	122		182		242			
3	D	63	A	123		183		243			
4	C	64	A	124		184		244			
5	A	65	B	125		185		245			
6	A	66	G	126		186		246			
7	A	67	G	127		187		247			
8		68	E	128		188		248			
9		69	A	129		189		249			
10		70	A	130		190		250			
11		71	F	131		191		251			
12		72	B	132		192		252			
13		73	G	133		193		253			
14		74	A	134		194		254			
15		75	A	135		195		255			
16		76	A	136		196		256			
17		77	A	137		197		257			
18		78	D	138		198		258			
19		79	A	139		199		259			
20		80	D	140		200		260			
21		81	G	141		201		261			
22		82	B	142		202		262			
23		83	A	143		203		263			
24		84	G	144		204		264			
25		85	A	145		205		265			
26		86	C	146		206		266			
27		87		147		207		267			
28	A	88		148		208		268			
29	A	89		149		209		269			
30	B	90		150		210		270			
31	A	91		151		211		271			
32	A	92		152		212		272			
33	A	93		153		213		273			
34	E	94		154		214		274			
35	A	95		155		215		275			
36	A	96		156		216		276			
37	A	97		157		217		277			
38	A	98		158		218		278			
39	A	99		159		219		279			
40	A	100		160		220		280			
41	A	101		161		221		281			
42	A	102		162		222		282			
43	A	103		163		223		283			
44	E	104		164		224		284			
45	A	105		165		225		285			
46	G	106		166		226		286			
47	A	107		167		227		287			
48	A	108		168		228		288			
49	G	109		169		229		289			
50	G	110		170		230		290			
51	A	111		171		231		291			
52	A	112		172		232		292			
53	B	113		173		233		293			
54	A	114		174		234		294			
55	A	115		175		235		295			
56	A	116		176		236		296			
57	A	117		177		237		297			
58	A	118		178		238		298			
59	A	119		179		239		299			
60	D	120		180		240		300			

NOTES:  
 1. REVISION LETTERS LISTED INDICATE STATUS OF EACH SHEET OF THIS MULTIPLE SHEET DRAWING.  
 2. CHECK INDIVIDUAL SHEETS FOR REVISION LETTER AGAINST THIS SHEET BEFORE USING THIS DRAWING.

REFERENCE DESIGNATIONS  
 ARE ABBREVIATED.  
 PREFIX THE DESIGNATION  
 WITH UNIT NUMBER  
 OR ASSEMBLY DESIGNATION  
 OR BOTH. (MIL. STD. 168)

Effective S/N 3120  
 WIRE LIST 105237 L & R

930  
 PAGE 1  
 G

REVISIONS				106407
REV.	DESCRIPTION	CHK	DATE	APPROVED
A	REL. TO MFG.	14	8/24	J. J. J.
B	SEE REV E			
C	SEE REV E			
D	SEE REV E			
E	SEE REV E			
F	SEE REV E			
G	SEE REV E			

TITLE		DIAGRAM, LOGIC COMPUTER	
SCALE	9:30	DWG. NO.	106407
DO NOT SCALE DRAWING		SHEET	
		G	

G106407

PAGE	CHG	PAGE	CHG	PAGE	CHG	PAGE	CHG	PAGE	CHG	PAGE	CHG
1		61	A	121		181		241			
2	E	62	C	122		182		242			
3	D	63	A	123		183		243			
4	C	64	A	124		184		244			
5	A	65	B	125		185		245			
6	A	66	G	126		186		246			
7	A	67	G	127		187		247			
8		68	H	128		188		248			
9		69	A	129		189		249			
10		70	A	130		190		250			
11		71	F	131		191		251			
12		72	B	132		192		252			
13		73	G	133		193		253			
14		74	A	134		194		254			
15		75	A	135		195		255			
16		76	A	136		196		256			
17		77	H	137		197		257			
18		78	D	138		198		258			
19		79	A	139		199		259			
20		80	D	140		200		260			
21		81	G	141		201		261			
22		82	R	142		202		262			
23		83	A	143		203		263			
24		84	H	144		204		264			
25		85	A	145		205		265			
26		86	H	146		206		266			
27		87		147		207		267			
28	A	88		148		208		268			
29	A	89		149		209		269			
30	B	90		150		210		270			
31	A	91		151		211		271			
32	A	92		152		212		272			
33	A	93		153		213		273			
34	E	94		154		214		274			
35	A	95		155		215		275			
36	A	96		156		216		276			
37	A	97		157		217		277			
38	A	98		158		218		278			
39	A	99		159		219		279			
40	A	100		160		220		280			
41	A	101		161		221		281			
42	A	102		162		222		282			
43	A	103		163		223		283			
44	E	104		164		224		284			
45	A	105		165		225		285			
46	G	106		166		226		286			
47	A	107		167		227		287			
48	A	108		168		228		288			
49	G	109		169		229		289			
50	H	110		170		230		290			
51	A	111		171		231		291			
52	A	112		172		232		292			
53	B	113		173		233		293			
54	A	114		174		234		294			
55	A	115		175		235		295			
56	A	116		176		236		296			
57	A	117		177		237		297			
58	A	118		178		238		298			
59	A	119		179		239		299			
60	D	120		180		240		300			

NOTES:  
1. REVISION LETTERS LISTED INDICATE STATUS OF EACH SHEET OF THIS MULTIPLE SHEET DRAWING.  
2. CHECK INDIVIDUAL SHEETS FOR REVISION LETTER AGAINST THIS SHEET BEFORE USING THIS DRAWING.

*Assembly Drawing No. 106407  
Wire List 106407 B & C*

REFERENCE DESIGNATIONS  
ARE ABBREVIATED.  
PREFIX THE DESIGNATION  
WITH UNIT NUMBER  
OR ASSEMBLY DESIGNATION  
OR BOTH. (MIL. STD. 16B)

930  
PAGE 1  
H

REVISIONS				
REV.	DESCRIPTION	CHK.	DATE	APPROVED
A	REL. TO MFG.			
B	SEE REV E0			
C	SEE REV E0			
D	SEE REV E0			
E	SEE REV E0			
F	SEE REV E0			
G	SEE REV E0			
H	SEE REV E0			

SDS  
SANTA MONICA, CALIFORNIA

DIAGRAM, LCGIC  
COMPUTER

930      106407      H

SCALE      DO NOT SCALE DRAWING      SHEET /

H/106407

PAGE	CHG	PAGE	CHG	PAGE	CHG	PAGE	CHG	PAGE	CHG	PAGE	CHG	PAGE	CHG	PAGE	CHG
1		61		121		181		241							
2	J	62		122		182		242							
3		63		123		183		243							
4	D	64		124		184		244							
5	C	65		125		185		245							
6	A	66		126		186		246							
7	A	67		127		187		247							
8	A	68		128		188		248							
9	J	69		129		189		249							
10		70		130		190		250							
11	A	71		131		191		251							
12	B	72		132		192		252							
13	B	73		133		193		253							
14	G	74		134		194		254							
15	A	75		135		195		255							
16	A	76		136		196		256							
17	J	77		137		197		257							
18	J	78		138		198		258							
19	D	79		139		199		259							
20	A	80		140		200		260							
21	J	81		141		201		261							
22	J	82		142		202		262							
23	J	83		143		203		263							
24	H	84		144		204		264							
25	A	85		145		205		265							
26	H	86		146		206		266							
27	H	87		147		207		267							
28	FP	88		148		208		268							
29	A	89		149		209		269							
30	B	90		150		210		270							
31	A	91		151		211		271							
32	A	92		152		212		272							
33	A	93		153		213		273							
34	I	94		154		214		274							
35	A	95		155		215		275							
36	A	96		156		216		276							
37	A	97		157		217		277							
38	A	98		158		218		278							
39	A	99		159		219		279							
40	A	100		160		220		280							
41	A	101		161		221		281							
42	A	102		162		222		282							
43	A	103		163		223		283							
44	F	104		164		224		284							
45	A	105		165		225		285							
46	G	106		166		226		286							
47	A	107		167		227		287							
48	A	108		168		228		288							
49	G	109		169		229		289							
50	H	110		170		230		290							
51	A	111		171		231		291							
52	A	112		172		232		292							
53	B	113		173		233		293							
54	A	114		174		234		294							
55	A	115		175		235		295							
56	A	116		176		236		296							
57	A	117		177		237		297							
58	A	118		178		238		298							
59	A	119		179		239		299							
60	D	120		180		240		300							

930  
PAGE 1  
J

NOTES:  
1. REVISION LETTERS LISTED INDICATE STATUS OF EACH SHEET OF THIS MULTIPLE SHEET DRAWING.  
2. CHECK INDIVIDUAL SHEETS FOR REVISION LETTER AGAINST THIS SHEET BEFORE USING THIS DRAWING.

REFERENCE DESIGNATIONS  
ARE ABBREVIATED.  
PREFIX THE DESIGNATION  
WITH UNIT NUMBER  
OR ASSEMBLY DESIGNATION  
OR BOTH. (MIL. STD. 16B)

REVISIONS				106407	J
REV.	DESCRIPTION	CHK	DATE	APPROVED	
A	REL. TO PAGES				
B	SEE REV EO				
C	SEE REV EO				
D	SEE REV EU				
E	SEE REV EO				
F	SEE REV EO				
G	SEE REV EO				
H	SEE REV EO				
J	SEE REV EO				

900592



DIAGRAM, LOGIC  
COMPUTER

930      106407      J

SCALE      DO NOT SCALE DRAWING      SHEET /

106407

PAGE	CHG	PAGE	CHG	PAGE	CHG	PAGE	CHG	PAGE	CHG	PAGE	CHG
1		61		121		181		241			
2	J	62	C	122		182		242			
3	D	63	A	123		183		243			
4	C	64	A	124		184		244			
5	A	65	B	125		185		245			
6	A	66	G	126		186		246			
7	A	67	G	127		187		247			
8		68	K	128		188		248			
9		69	J	129		189		249			
10		70	A	130		190		250			
11		71	F	131		191		251			
12		72	B	132		192		252			
13		73	G	133		193		253			
14		74	A	134		194		254			
15		75	A	135		195		255			
16		76	J	136		196		256			
17		77	J	137		197		257			
18		78	D	138		198		258			
19		79	A	139		199		259			
20		80	J	140		200		260			
21		81	G	141		201		261			
22		82	J	142		202		262			
23		83	J	143		203		263			
24		84	H	144		204		264			
25		85	A	145		205		265			
26		86	H	146		206		266			
27		87		147		207		267			
28	A	88		148		208		268			
29	A	89		149		209		269			
30	B	90		150		210		270			
31	A	91		151		211		271			
32	A	92		152		212		272			
33	A	93		153		213		273			
34	F	94		154		214		274			
35	A	95		155		215		275			
36	A	96		156		216		276			
37	A	97		157		217		277			
38	A	98		158		218		278			
39	A	99		159		219		279			
40	A	100		160		220		280			
41	A	101		161		221		281			
42	A	102		162		222		282			
43	A	103		163		223		283			
44	K	104		164		224		284			
45	A	105		165		225		285			
46	G	106		166		226		286			
47	A	107		167		227		287			
48	A	108		168		228		288			
49	G	109		169		229		289			
50	H	110		170		230		290			
51	A	111		171		231		291			
52	A	112		172		232		292			
53	B	113		173		233		293			
54	A	114		174		234		294			
55	A	115		175		235		295			
56	A	116		176		236		296			
57	A	117		177		237		297			
58	A	118		178		238		298			
59	A	119		179		239		299			
60	D	120		180		240		300			

930  
PAGE 1  
K

NOTES:  
1. REVISION LETTERS LISTED INDICATE STATUS OF EACH SHEET OF THIS MULTIPLE SHEET DRAWING.  
2. CHECK INDIVIDUAL SHEETS FOR REVISION LETTER AGAINST THIS SHEET BEFORE USING THIS DRAWING.

REFERENCE DESIGNATIONS  
ARE ABBREVIATED.  
PREFIX THE DESIGNATION  
WITH UNIT NUMBER  
OR ASSEMBLY DESIGNATION  
OR BOTH. (MIL. STD. 16B)

REVISIONS				106-37
REV.	DESCRIPTION	CHK	DATE	APPROVED
A	REL. TO MAP			
B	SEE REV EO			
C	SEE REV EO			
D	SEE REV EO			
E	SEE REV EO			
F	SEE REV EO			
G	SEE REV EO			
H	SEE REV EO			
J	SEE REV EO			
K	SEE REV EO			

109

**SDS**  
SYSTEMS DATA SYSTEMS  
DATA COMM. SOLUTIONS

DIAGRAM, LOGIC  
COMPUTER

930	106407	K
-----	--------	---

SCALE: DO NOT SCALE DRAWING SHEET 1

K106407

PAGE	CHG	PAGE	CHG	PAGE	CHG	PAGE	CHG	PAGE	CHG	PAGE	CHG
1	L	61	A	121		181		241			
2	J	62	C	122		182		242			
3	D	63	A	123		183		243			
4	C	64	A	124		184		244			
5	A	65	B	125		185		245			
6	A	66	G	126		186		246			
7	A	67	G	127		187		247			
8		68	K	128		188		248			
9		69	J	129		189		249			
10		70	A	130		190		250			
11		71	F	131		191		251			
12		72	B	132		192		252			
13		73	G	133		193		253			
14		74	A	134		194		254			
15		75	A	135		195		255			
16		76	J	136		196		256			
17		77	J	137		197		257			
18		78	D	138		198		258			
19		79	A	139		199		259			
20		80	J	140		200		260			
21		81	G	141		201		261			
22		82	J	142		202		262			
23		83	J	143		203		263			
24		84	H	144		204		264			
25		85	A	145		205		265			
26		86	H	146		206		266			
27		87		147		207		267			
28	A	88		148		208		268			
29	A	89		149		209		269			
30	B	90		150		210		270			
31	A	91	F	151		211		271			
32	A	92	B	152		212		272			
33	A	93	S	153		213		273			
34	I	94		154		214		274			
35	A	95	S	155		215		275			
36	A	96	A	156		216		276			
37	A	97		157		217		277			
38	A	98	A	158		218		278			
39	A	99	A	159		219		279			
40	A	100	A	160		220		280			
41	A	101		161		221		281			
42	L	102		162		222		282			
43	A	103	A	163		223		283			
44	K	104		164		224		284			
45	A	105	A	165		225		285			
46	G	106	H	166		226		286			
47	A	107		167		227		287			
48	A	108		168		228		288			
49	G	109		169		229		289			
50	L	110	L	170		230		290			
51	A	111	A	171		231		291			
52	A	112	A	172		232		292			
53	B	113		173				293			
54	A	114	A	174				294			
55	A	115				233		295			
56	A	116				236		296			
57	A	117				237		297			
58	A	118		178		238		298			
59	A	119		179		239		299			
60	D	120		180		240		300			

930  
PAGE 1

NOTES:  
1- REVISION LETTERS LISTED INDICATE STATUS OF EACH SHEET OF THIS MULTIPLE SHEET DRAWING.  
2- CHECK INDIVIDUAL SHEETS FOR REVISION LETTER AGAINST THIS SHEET BEFORE USING THIS DRAWING.

REFERENCE DESIGNATIONS  
ARE ABBREVIATED.  
PREFIX THE DESIGNATION  
WITH UNIT NUMBER  
OR ASSEMBLY DESIGNATION  
OR BOTH.  
(MIL. STD. 16B)

REVISIONS				
REV.	DESCRIPTION	DATE	APPROVED	
A	REL. TO MFR			
B	SEE REV E.O.			
C	SEE REV E.O.			
D	SEE REV E.O.			
E	SEE REV E.O.			
F	SEE REV E.O.			
G	SEE REV E.O.			
H	SEE REV E.O.			
J	SEE REV E.O.			
K	SEE REV E.O.			
L	SEE REV E.O.			

109

**BDS**  
BUSINESS DATA SYSTEMS  
10000 W. 10TH AVENUE  
DENVER, COLORADO 80202

DIAGRAM, LOGIC  
COMPUTER

930	106407	L
-----	--------	---

DRAWN / OF 66

106407

PAGE	CHG	PAGE	CHG	PAGE	CHG	PAGE	CHG	PAGE	CHG	PAGE	CHG
1		61	A	121		181		241			
2	N	62	C	122		182		242			
3	J	63	A	123		183		243			
4	D	64	A	124		184		244			
5	C	65	A	125		185		245			
6	A	66	R	126		186		246			
7	A	67	G	127		187		247			
8	A	68	M	128		188		248			
9	J	69	J	129		189		249			
10		70	A	130		190		250			
11		71	M	131		191		251			
12		72	B	132		192		252			
13		73	G	133		193		253			
14		74	A	134		194		254			
15		75	A	135		195		255			
16		76	J	136		196		256			
17		77	J	137		197		257			
18		78	D	138		198		258			
19		79	A	139		199		259			
20		80	J	140		200		260			
21		81	G	141		201		261			
22		82	M	142		202		262			
23		83	J	143		203		263			
24		84	M	144		204		264			
25		85	A	145		205		265			
26		86	M	146		206		266			
27		87		147		207		267			
28	A	88		148		208		268			
29	A	89		149		209		269			
30	B	90		150		210		270			
31	A	91		151		211		271			
32	A	92		152		212		272			
33	A	93		153		213		273			
34	E	94		154		214		274			
35	A	95		155		215		275			
36	A	96		156		216		276			
37	A	97		157		217		277			
38	A	98		158		218		278			
39	A	99		159		219		279			
40	A	100		160		220		280			
41	A	101		161		221		281			
42	L	102		162		222		282			
43	A	103		163		223		283			
44	K	104		164		224		284			
45	A	105		165		225		285			
46	C	106		166		226		286			
47	A	107		167		227		287			
48	A	108		168		228		288			
49	G	109		169		229		289			
50	M	110		170		230		290			
51	A	111		171		231		291			
52	A	112		172		232		292			
53	B	113		173		233		293			
54	A	114		174		234		294			
55	A	115		175		235		295			
56	A	116		176		236		296			
57	A	117		177		237		297			
58	A	118		178		238		298			
59	A	119		179		239		299			
60	D	120		180		240		300			

NOTES:  
 1. REVISION LETTERS LISTED INDICATE STATUS OF EACH SHEET OF THIS MULTIPLE SHEET DRAWING.  
 2. CHECK INDIVIDUAL SHEETS FOR REVISION LETTER AGAINST THIS SHEET BEFORE USING THIS DRAWING.

REFERENCE DESIGNATIONS  
 ARE ABBREVIATED.  
 PREFIX THE DESIGNATION  
 WITH UNIT NUMBER  
 OR ASSEMBLY DESIGNATION  
 OF BOTH  
 (MIL. STD. 168)

930  
 PAGE 1  
 M

REVISIONS			106407
REV.	DESCRIPTION	CHK	DATE
A	SEE REV E.O.		
B	SEE REV E.O.		
C	SEE REV E.O.		
D	SEE REV E.O.		
E	SEE REV E.O.		
F	SEE REV E.O.		
G	SEE REV E.O.		
H	SEE REV E.O.		
I	SEE REV E.O.		
J	SEE REV E.O.		
K	SEE REV E.O.		
L	SEE REV E.O.		
M	SEE REV E.O.		

**SOS**  
SCIENTIFIC DATA SYSTEMS  
 2001 - 1980 - 2000

DIAGRAM, LOGIC  
 COMPUTER

930	106407	M
1 OF 66		

A00	34	C0, C1, C2	46	F1, F1a, F2, F3	65
A0, A1, A2	31	C3 thru C11	47	F1 thru F3 Buffer	61
A3 thru A11	32	C12 thru C20	48	( $\overline{F1}$ F3)	60
A12 thru A20	33	C21 thru C23	49		
A21 thru A23	34	C24	50		
A21, A22, A23 Buffer	74	C0 thru C23 Buffer	74		
(A0 ⊕ A1)	72	/C16/, /C17/	82		
(A1 ⊕ A2)	72	C0i thru C23i	75	Φ0 thru Φ7	61
(A2 ⊕ A3)	72	/Cm0/M0/ thru /Cm23/M23/	76	(Φ0 Tp Ia)	65
(A00 ⊕ Lx)	35	Cd0 thru Cd23	77	(Φ0 T8 Ia)	65
(A21 ⊕ C21)	35	(C10 C11)	74	(Φ3 05 06)	35
(A22 ⊕ C22)	35	/C21r/, /C22r/, /C23r/	76	(Φ3 Sk)	61
(A23 ⊕ C23)	35	Ck	49	(Φ7 03 04 05 06)	35
(Add1, 2, 3)	53	Clock Distribution	84		
A <sub>l2</sub> <sup>*</sup> , A <sub>l2</sub> <sup>**</sup>	35	/C1x/	76		
A <sub>l2</sub> <sup>***</sup> , A <sub>l2</sub> <sup>****</sup>	45	Cp, Cpr	50		
$\overline{Anr}$	35	/Cpr/	76		
Ar1, Ar1 <sup>*</sup>	35	(Cp Ht)	50	G0	69
Ar3, Ar3 <sup>**</sup>	35	Cr3	49	( $\overline{G0}$ Ht)	60
Ar3 <sup>*</sup> , Ar3 <sup>***</sup>	45	Cxi, Cxm	49		
		Cz	53		
B00	44			Hal, 2, 3	51
B0, B1, B2	36	Eax	73	Ht	68
Bc2, B3, B4, B5	37	E2m0 - E3m2	85	Hx1, 2, 3	51
Bc5, B6, B7, B8	38			Hx	51
Bc8, B9, B10, B11	39	En	69		
Bc11, B12, B13, B14	40	End	69		
Bc14, B15, B16, B17	41	(En + En) /En + En/	68 81		
Bc17, B18, B19, B20	42	Eod	69	Ia	71
Bc20, B21, B22, B23	43	/Eod/	80	/Ib/	78
Bc23	44	Eom	69	/Ie/	78
B21 <sup>*</sup> , B22 <sup>*</sup> , B23 <sup>*</sup> , Bc23 <sup>*</sup>	74	/Eom/	76	Ij, Ir, Is	78
Brl, Brl <sup>*</sup> , Brl <sup>**</sup>	45	/Eom/ <sup>*</sup>	82	IL	77
		(Eom C10 C11 C18 + Kmc)	60	Inr	71
Bz0	45	Ex	68		

930  
PAGE 2  
A

REVISIONS			
REV.	DESCRIPTION	CHK	DATE
A	REL. TO WFS		

06407	A
-------	---

**SDS**  
SCIENTIFIC DATA SYSTEMS  
SANTA MONICA, CALIFORNIA

DIAGRAM LOGIC  
COMPUTER


SCALE	DWG NO. 106407	SHEET A
DO NOT SCALE DRAWING		

A106407

A00	34	C0, C1, C2	46	F1, F1a, F2, F3	65
A0, A1, A2	31	C3 thru C11	47	F1 thru F3 Buffer	61
A3 thru A11	32	C12 thru C20	48	( $\overline{F1}$ F3)	60
A12 thru A20	33	C21 thru C23	49		
A21 thru A23	34	C24	50		
A21, A22, A23 Buffer	74	C0 thru C23 Buffer	74		
(A0 ⊕ A1)	72	/C16/, /C17/	82		
(A1 ⊕ A2)	72	C0i thru C23i	75	Q0 thru Q7	61
(A2 ⊕ A3)	72	/Cm0/M0/ thru /Cm23/M23/	76	(Q0 Tp Ia)	65
(A00 ⊕ Ix)	35	Cd0 thru Cd23	77	(Q0 T8 Ia)	65
(A21 ⊕ C21)	35	(C10 C11)	74	(Q3 05 06)	35
(A22 ⊕ C22)	35	/C21r/, /C22r/, /C23r/	76	(Q3 Sk)	61
(A23 ⊕ C23)	35	Ck	49	(Q7 03 04 05 06)	35
(Add 1, 2, 3)	53	Clock Distribution	84		
A2*, A2**	35	/C1x/	76		
A2, A2***, A2****	45	Cp, Cpr	50		
$\overline{Ar}$	35	/Cpr/	76		
Ar1, Ar1*	35	(Cp Ht)	50	G0	69
Ar3, Ar3**	35	Cr3	49	(G0 Ht)	60
Ar3*, Ar3***	45	Cxi, Cxm	49		
		Cz	53		
		Cpi	86		
		Cpu Parity	86		
		(Cp Ht)*	86		
		(Cp+Plo)	86		
B00	44			Hal, 2, 3	51
B0, B1, B2	36	Eax	73	Ht	68
Bc2, B3, B4, B5	37	E2m0 - E3m2	85	Hx1, 2, 3	51
Bc5, B6, B7, B8	38			Hz	51
Bc8, B9, B10, B11	39	En	69		
Bc11, B12, B13, B14	40	End	69		
Bc14, B15, B16, B17	41	(En+En) /En+En/	68 81		
Bc17, B18, B19, B20	42	Eod	69	Ia	71
Bc20, B21, B22, B23	43	/Eod/	80	/Ib/	78
Bc23	44	Eom	69	/Ie/	78
B21*, B22*, B23*, Bc23*	74	/Eom/	76	Ij, Ir, Is	78
Brl, Br1*, Br1**	45	/Eom/* (Eom C10 C11 C18 + Kmc)	82 60 68	IL	77
Bz0	45	Ex	68	Inr	71

930  
PAGE 2  
C

REVISIONS			
REV.	DESCRIPTION	CHK	DATE
A	REL. TO MFG.		11/14
C	SEE REV E0		

	
FILE DIAGRAM LOGIC COMPUTER	
SIZE 106407	DWG. NO. 106407
SCALE DO NOT SCALE DRAWING	SHEET 2
CHANGE LETTER C	

C106407



A00	34	C0, C1, C2	46	F1, F1a, F2, F3	65
A0, A1, A2	31	C3 thru C11	47	F1 thru F3 Buffer	61
A3 thru A11	32	C12 thru C20	48	(F1 F3)	60
A12 thru A20	33	C21 thru C23	49		
A21 thru A23	34	C24	50		
A21, A22, A23 Buffer	74	C0 thru C23 Buffer	74		
(A0 ⊕ A1)	72	/C16/, /C17/	82		
(A1 ⊕ A2)	72	C0i thru C23i	75	Ø0 thru Ø7	61
(A2 ⊕ A3)	72	/Cm0/M0/ thru /Cm23/M23/	76	(Ø0 Tp Ia)	65
(A00 ⊕ Ix)	35	Cd0 thru Cd23	77	(Ø0 T8 Ia)	65
(A21 ⊕ C21)	35	(C10 C11)	74	(Ø3 05 06)	35
(A22 ⊕ C22)	35	/C21r/, /C22r/, /C23r/	76	(Ø3 Sk)	61
(A23 ⊕ C23)	35	Ck	49	(Ø7 03 04 05 06)	35
(Add 1, 2, 3)	53	Clock Distribution	84		
A2*, A2**	35	/C1x/	76		
A2, A2***, A2****	45	Cp, Cpr	50		
Anr	35	/Cpr/	76		
Ar1, Ar1*	35	(Cp Ht)	50	G0	69
Ar3, Ar3**	35	Cr3	49	(G0 Ht)	60
Ar3*, Ar3***	45	Cxi, Cxm	49	(G0+Ht)	68
		Cz	53	(G0+Ht)	68
		Cpi	86		
		Cpu Parity	86		
		(Cp Ht)*	86		
		(Cp+P1o)	86		
B00	44			Ha1, 2, 3	51
B0, B1, B2	36	Eax	73	Ht	68
Bc2, B3, B4, B5	37	E2m0 - E3m2	85	Hx1, 2, 3	51
Bc5, B6, B7, B8	38			Hx	51
Bc8, B9, B10, B11	39	En	69		
Bc11, B12, B13, B14	40	End	69		
Bc14, B15, B16, B17	41	(En + Ea)	68		
		/En + En/	81		
Bc17, B18, B19, B20	42	Eod	69	Ia	71
Bc20, B21, B22, B23	43	/Eod/	80	/Ib/	78
Bc23	44	Eom	69	/Ie/	78
B21*, B22*, B23*, Bc23*	74	/Eom/	76	Ij, Ir, Is	78
Brl, Br1*, Br1**	45	/Eom/*	82	IL	77
		(Eom C10 C11 C18 + Kmc)	60		
Bz0	45	Ex	68	Inr	71

930  
PAGE 2  
E

REVISIONS				
REV.	DESCRIPTION	CHE	DATE	APPROVED
A	REL. TO MFS.			
C	SEE REV E0			
E	SEE REV E0			

**SDS**  
SCIENTIFIC DATA SYSTEMS  
SANTA ANITA, CALIFORNIA

DIAGRAM LOGIC  
COMPUTER

SCALE	DO NOT SCALE DRAWING	SHEET 2
-------	----------------------	---------

C106407

A00	34	C0, C1, C2	46	F1, F1a, F2, F3	65
A0, A1, A2	31	C3 thru C11	47	F1 thru F3 Buffer	61
A3 thru A11	32	C12 thru C20	48	( $\overline{F1}$ F3)	60
A12 thru A20	33	C21 thru C23	49		
A21 thru A23	34	C24	50		
A21, A22, A23 Buffer	74	C0 thru C23 Buffer	74		
(A0 ⊕ A1)	72	/C16/, /C17/	82		
(A1 ⊕ A2)	72	C0i thru C23i	75	Ø0 thru Ø7	61
(A2 ⊕ A3)	72	/Cm0/M0/ thru /Cm23/M23/	76	(Ø0 Tp Ia)	65
(A00 ⊕ Ix)	35	Cd0 thru Cd23	77	(Ø0 T8 Ia)	65
(A21 ⊕ C21)	35	(C10 C11)	74	(Ø3 Ø5 06)	35
(A22 ⊕ C22)	35	/C21r/, /C22r/, /C23r/	76	(Ø3 S $\overline{K}$ )	61
(A23 ⊕ C23)	35	Ck	49	(Ø7 Ø3 04 Ø5 06)	35
(Add 1, 2, 3)	53	Clock Distribution	84		
A1*, A2**	35	/C1x/	76		
A1, A2***, A2****	45	Cp, Cpr	50		
$\overline{A}nr$	35	/Cpr/	76		
Ar1, Ar1*	35	(Cp Ht)	50	G0	69
Ar3, Ar3**	35	Cr3	49	(G0 Ht)	60
Ar3*, Ar3***	45	Cxi, Cxm	49	(G0+Ht)	68
		Cz	53	(G0+Ht)	68
		Cpi	86		
		Cpu Parity	86		
		(Cp Ht)*	86		
		(Cp+Pio)	86		
		Cen	77		
B00	44			Ha1, 2, 3	51
B0, B1, B2	36	Eax	73	Ht	68
Bc2, B3, B4, B5	37	E2m0 - E3m2	85	Hx1, 2, 3	51
Bc5, B6, B7, B8	38			Hx	51
Bc8, B9, B10, B11	39	En	69		
Bc11, B12, B13, B14	40	End	69		
Bc14, B15, B16, B17	41	(En+En) /En+En/	68 81		
Bc17, B18, B19, B20	42	Eod	69	Ia	71
Bc20, B21, B22, B23	43	/Eod/	80	$\overline{Ib}$ / $\overline{Ie}$ /	78 78
Bc23	44	Eom	69		
B21*, B22*, B23*, Bc23*	74	/Eom/	76	Ij, Ir, Is	78
Br1, Br1*, Br1**	45	/Eom/* (Eom C10 C11 C18 + Kmc) Ex	82 60 68	IL	77
Bz0	45			Inr	71

930  
PAGE 2  
J

REVISIONS				106407	J
REV.	DESCRIPTION	CHK	DATE	APPROVED	
A	REL. TO MFG.				
C	SEE REV E0				
E	SEE REV E0				
J	SEE REV E0				

SDS SCIENTIFIC DATA SYSTEMS SANTA MONICA, CALIFORNIA	
DIAGRAM LOGIC COMPUTER	
SCALE	DO NOT SCALE DRAWING
SIZE	DWG. NO. 106407
	SHEET 2
	CHANGE LETTER J

106407

Int 68 /Mgs/ 81 Pot 69  
 Ir0, Ir1, Ir2 82 /Mgz/ 80 /Pot/ 76  
 Iro thru Ir14 79 Mxc 60 /Pot/\* 82  
 Ix, (Ix C0) 70 /Mxc/ 78 Pr3 54  
 Iz0 thru Iz14 80

N5 thru N14 78 Q1 thru Q6 64

Ju 73  
 Jz0 thru Jz5 62  
 Jz6 thru Jz14 63

01 thru 06 65 Rad0, Rad1, Rad2 45  
 01\* thru 06\* Buffer 60 Rc 73  
 (02 04 05 06) 60 Rde 82  
 (04 05 06) 35 Rd9 thru Rd14 82  
 (04 05 06) 60 Rn1, Rn2, Rn3 71 62  
 (05 06) 60 Rr1, Rr2, Rr3 62  
 /05/ 76 Rsa 45  
 (05 S4 S5) 59 Rt 77  
 (05 S6 S7 Sd2) 59 /Rt/ 82  
 Oc 65 Rti 46  
 Of 70 /Rti/ 76

Kd0, Kd1, Kd2 75  
 Kf1 60  
 Kr2 60  
 Kmc 60  
 K0 71  
 Kz 53  
 Ls0A, Ls1A, Ls2A 85  
 /Ls0/, /Ls1/, /Ls2/ 82  
 /Ls0/ thru /Ls14/ 79  
 /Lz0/, /Lz1/, /Lz2/ 82  
 /Lz0/ thru /Lz14/ 80

P0, P1, P2 54  
 P3 thru P14 55  
 sP0, sP1, sP2 54 S1, S2 56  
 P11 thru P14i 75 S3 thru S8 57  
 Pin 69 S9 thru S14 58  
 /Pin/ 76 (S6 S7 S8) 59  
 Mgs, Mgz

930  
 PAGE 3  
 A

REVISIONS			
REV.	DESCRIPTION	CHK	DATE
A	REL TO PFS.		5/11/77

930	DWG NO. 06407	SHEET A
-----	---------------	---------

SDS  
 SCIENTIFIC DATA SYSTEMS  
 SANTA MONICA, CALIFORNIA

DIAGRAM LOGIC  
 COMPUTER

DO NOT SCALE DRAWING

A106407

Int 68 /Mgs/ 81 Pot 69  
 Ir0, Ir1, Ir2 82 /Mgz/ 80 /Pot/ 76  
 Iro thru Irl4 79 Mxc 60 /Pot/\* 82  
 Ix, (Ix G0) 70 /Mxc/ 78 Pr3 54  
 Iz0 thru Iz14 80  
 I/O Parity 86

N5 thru N14 78 Q1 thru Q6 64

Ju 73  
 Jz0 thru Jz5 62  
 Jz6 thru Jz14 63

01 thru 06 65 Rad0, Rad1, Rad2 45  
 01\* thru 06\* Buffer 60 Rc 73  
 (02 04 05 06) 60 Rde 82

Kd0, Kd1, Kd2 75 Rd9 thru Rd14 82  
 Kf1 60 Rf 71  
 Kf2 60 Rn1, Rn2, Rn3 62  
 Kmc 60 Rr1, Rr2, Rr3 62  
 K0 71 /05/ 76 Rsa 45  
 Kz 53 (05 S4 S5) 59 Rt 77  
 ((Kp)+Pio) 68 (05 S6 S7 Sd2) 59 /Rt/ 82

Ls0A, Ls1A, Ls2A 85  
 /Ls0/, /Ls1/, /Ls2/ 82  
 /Ls0/ thru /Ls14/ 79  
 /Lz0/, /Lz1/, /Lz2/ 82  
 /Lz0/ thru /Lz14/ 80  
 Oc 65 Rtl 46  
 Of 70 /Rtl/ 76  
 Ofe 53 Rwy1, Rwy2, Rwy3 62  
 Ofi 75 Rx (Rx + Tsr) 46  
 Oxc 65 /Rx/ 76  
 R9 82  
 R9 (Rmp Kp) 60 50

P0, P1, P2 54  
 P3 thru P14 55  
 sP0, sP1, sP2 54 S1, S2 56  
 P11 thru P14 75 S3 thru S8 57  
 Pin 69 S9 thru S14 58  
 /Pin/ 76 (S6 S7 S8) 59  
 Pio 86

930  
 PAGE 3  
 C

REVISIONS			
REV.	DESCRIPTION	CHK	DATE
A	REL. TO DES.		
B	SEE REV E0		
C	SEE REV E0		

930	106407	C
-----	--------	---


SDS SCIENTIFIC DATA SYSTEMS SANTA MONICA, CALIFORNIA	
DIAGRAM . LOGIC COMPUTER	
SCALE	DO NOT SCALE DRAWING
SHEET 3	

C106407

Int	68	$\overline{Mgs}/$	81	Pot	69
$\overline{Ir0}, \overline{Ir1}, \overline{Ir2}$	82	$\overline{Mgz}/$	80	$\overline{Pot}/$	76
Iro thru Ir14	79	Mxc	60	$\overline{Pot}/^*$	82
Ix, (Ix $\overline{G0}$ )	70	$\overline{Mxc}/$	78	Pr3	54
Iz0 thru Iz14 I/O Parity	80 86				
Ju	73		78	Q1 thru Q6	64
Jz0 thru Jz5	62				
Jz6 thru Jz14	63				
Kd0, Kd1, Kd2	75	01 thru 06	65	Rad0, Rad1, Rad2	45
Kf1	60	01* thru 06* Buffer	60	Rc	73
Kf2	60	( $\overline{02} \overline{04} \overline{05} \overline{06}$ )	60	Rde	82
Kmc	60	(04 05 06)	35	Rd9 thru Rd14 Rf	82 71
K0	71	(05 06)	60	Rn1, Rn2, Rn3	62
Kz	53	/05/	76	Rr1, Rr2, Rr3	62
((K $\overline{D}$ )+Pio)	68	(05 $\overline{S4} \overline{S5}$ )	59	Rsa	45
		(05 $\overline{S6} \overline{S7} \overline{Sd2}$ )	59	Rt	77
Ls0A, Ls1A, Ls2A	85	Oc	65	$\overline{Rt}/$	82
$\overline{Ls0}/, \overline{Ls1}/, \overline{Ls2}/$	82	Of	70	Rti	46
$\overline{Ls0}/$ thru $\overline{Ls14}/$	79	Ofe	53	$\overline{Rti}/$	76
$\overline{Lz0}/, \overline{Lz1}/, \overline{Lz2}/$	82	Ofi	75	Rwy1, Rwy2, Rwy3	62
$\overline{Lz0}/$ thru $\overline{Lz14}/$	80	Oxc	65	Rx (Rx + Tsr)	46
Kp Rmp (T4+T5)	50			$\overline{Rx}/$	76
$\overline{M0}/\overline{Cm0}/$ thru $\overline{M23}/\overline{Cm23}/$	81			R9	82
Mit	81	P0, P1, P2	54	$\overline{R9}$	60
$\overline{Mit}/$	80	P3 thru P14	55		
Mgs, Mgz	68	sP0, sP1, sP2	54	S1, S2	56
		P11 thru P141	75	S3 thru S8	57
		Pin	69	S9 thru S14	58
		$\overline{Pin}/$ Pio	76	( $\overline{S6} \overline{S7} \overline{S8}$ )	59
			86		

930  
PAGE 3  
D

REVISIONS			
REV.	DESCRIPTION	CHK	DATE
A	REV. TO DES.		
B	SEE REV E0		
C	SEE REV EC		
D	SEE REV ED		

 TITLE: DIAGRAM . LOGIC COMPUTER			
930	DWG. NO. 106407	CHANGE LETTER D	
SCALE	DO NOT SCALE DRAWING	SHEET 3	

D 106407



(S12 S13 Sd2)	59	Xn1, Xn2, Xn3	67
Sc	59	Xn1*, Xn2*, Xn3* Buffer	74
(Sc + Sx48)	59	Xn1, Xn2, Xn3 Inputs	66
(Sc + Ø1 05 T2)	59	Xw1	66
Sd2	59	Xz1, Xz2, Xz3	52
Sk	72		
Skrz	82		
Sks	74		
$\overline{Skss}$	60		
$\overline{Skss}/$	78	$[\overline{YI} (Y0 + \overline{Y9})]$	82
/Skj/	78	Yz1, Yz2, Yz3	52
/St/	76		
$\overline{St}/$	82		
Sxc, Sxp, Sxn	59		

Zrq 80

T0, T1, T3, T5, T7, T8	61
$\overline{T1}/$	78
$\overline{T3}/$	81
Temp*	81
Tp, Tr	61
$\overline{Tpc}/$ ( $\overline{TPEnd Sk}$ )	76 61
Trq	82
Ts, Tsm, Tsr	73
Tsm*, $\overline{Tsm}^*$	79
$\overline{Tsm}/$	76

$[\overline{WI} (W0 + \overline{W9})]$  82

930  
PAGE 4  
A

REVISIONS			
REV.	DESCRIPTION	CHK	DATE
A	REL. TO FIG.		

C5407



DIAGRAM LOGIC  
COMPUTER

930	DWG NO. 106407	SHEET A
DO NOT SCALE DRAWING SHEET		

A106407

$\overline{S12} \overline{S13} Sd2$	59	Xn1, Xn2, Xn3	67
Sc	59	Xn1*, Xn2*, Xn3* Buffer	74
(Sc + Sx48)	59	Xn1, Xn2, Xn3 Inputs	66
(Sc + $\phi 1 05 T2$ )	59	Xw1	66
Sd2	59	Xz1, Xz2, Xz3	52
Sk	72		
Skrz	82		
Sks	74		
$\overline{Sks}$	60		
$\overline{Sks}/$	78	$[\overline{Y1} (Y0 + \overline{Y9})]$	82
/Ski/	78	Yz1, Yz2, Yz3	52
/St/	76		
$\overline{St}/$	82		
Sxc, Sxp, Sxn	59	Zrq	80

T0, T1, T3, T5, T7, T8	61
$\overline{T1}/$	78
$\overline{T3}/$	81
Temp*	81
Tp, Tr	61
$\overline{Tpc}/$ ( $\overline{TpEnd Sk}$ )	76 61 82
Ts, Tsm, Tsr	73
Tsm*, $\overline{Tsm}^*$	79
$\overline{Tsm}/$ (T4+T5)	76 86

$[\overline{W1} (W0 + \overline{W9})]$  82

930  
PAGE 4  
C

REVISIONS			
REV.	DESCRIPTION	CHK	DATE
A	REL. TO I.F.G.		
C	SEE REV E0		



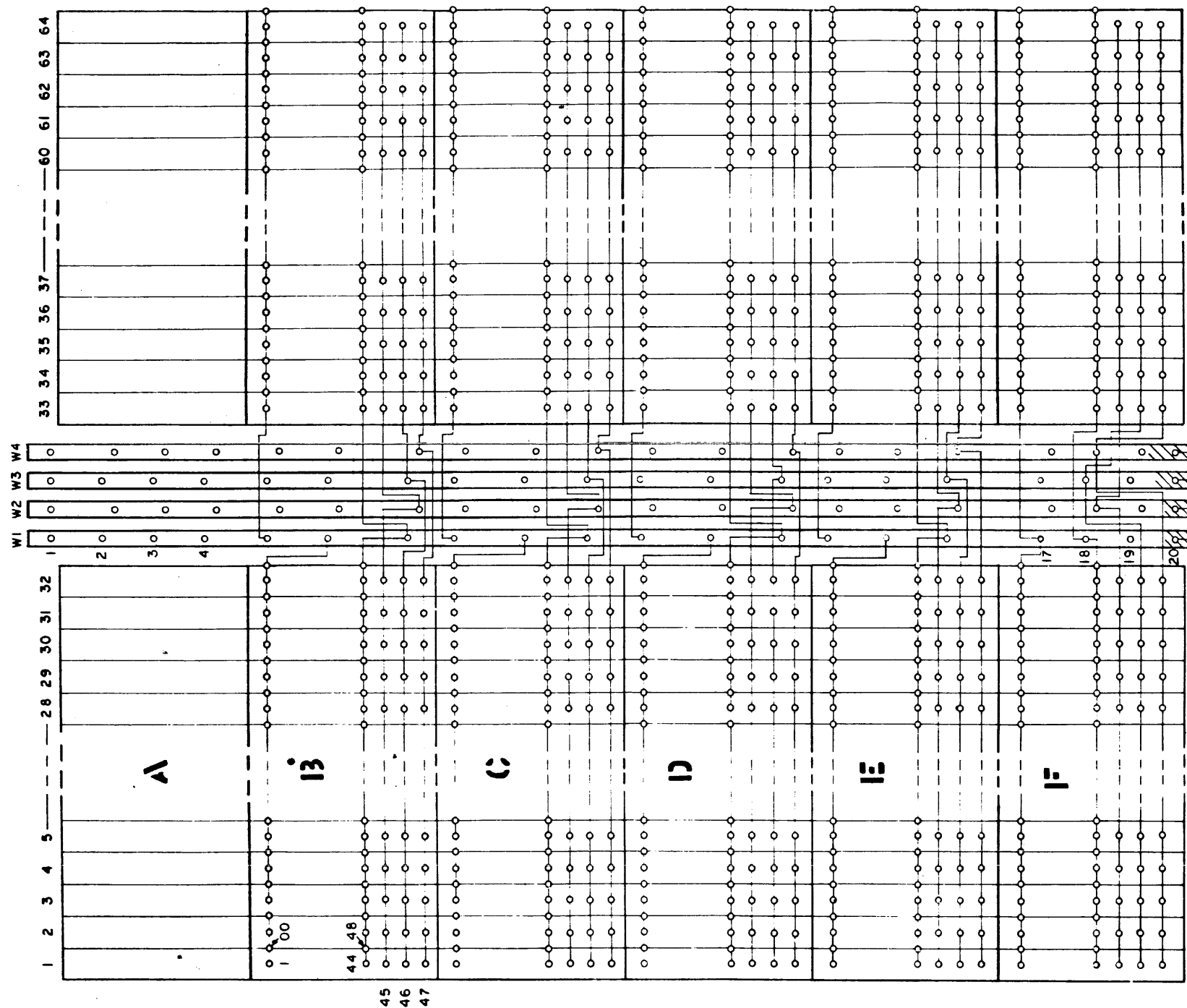
TITLE		
DIAGRAM LOGIC COMPUTER		
930	DWG. NO. 106407	CHANGE LETTER C

SCALE DO NOT SCALE DRAWING SHEET 4

C106407







930  
PAGE 6  
A

REVISIONS			
REV.	DESCRIPTION	CHK.	DATE
A	REL TO MFG		

106407 A

106407 A

**SDB**  
SCIENTIFIC DATA SYSTEMS  
SANTA MONICA, CALIFORNIA

TITLE  
DIAGRAM, LOGIC  
COMPUTER

930	SIZE	DWG. NO. 06407	DESIGNED BY A
SCALE		DO NOT SCALE DRAWING	SHEET

MODULE LIST

ITEM	DESCRIPTION	MODEL	QTY.
1	DUAL FLIP FLOP	FB51	43
2	TRIPLE FLIP FLOP	FB52	14
3	NAND FLIP FLOP	FB54	34
4	NAND MODULE	IB52	21
5	NAND # 2	IB56	14
6	BAND NAND	IB57	20
7	NAND # 3	IB58	47
8	CABLE DRIVER	AB51	10
9	RECEIVER INV	AB52	2
10	RECEIVER INV. BUFFER	AB53	1
11	CABLE DRIVER # 2	AB55	13
12	INTERFACE # 8 TO +4	NB50	4
13	SHIFT REGISTER	DB50	3
14	CLOCK GENERATOR	CB50	1
15	TERM. MOD. (+4)	ZB50	20
16	IND. INTERFACE	NB53	2
17	TERM. MOD. CABLE	ZB52	2
18	INTERFACE	NB57	1

ITEM	DESCRIPTION	DESIGNATION	QTY	SUPPLIER CODE SEE INDEX
1	CONNECTOR, SOLDER TAIL 47 CONTACT # 7008-47	J1 THRU J64 B,C,D,E,F	320	62

930  
PAGE 7  
A

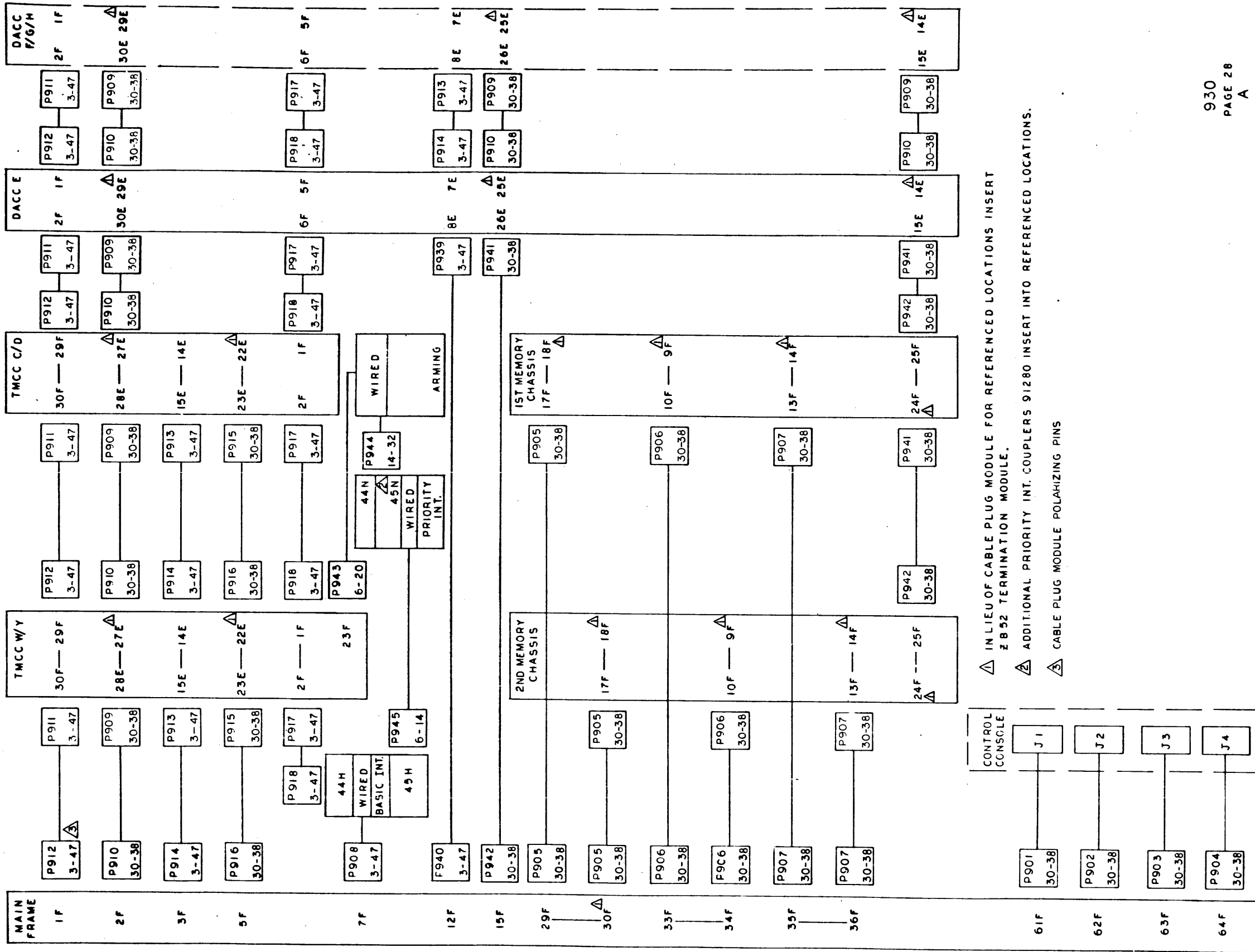
REVISIONS				106407	A
REV.	DESCRIPTION	CHK	DATE	APPROVED	
A	REL TO MFG.				



DIAGRAM, LOGIC  
COMPUTER

930	REV.	DWG. NO.	106407	FORMER APPROV.	A
SCALE		DO NOT SCALE DRAWING		SHEET	

106407 | A



△ IN LIEU OF CABLE PLUG MODULE FOR REFERENCED LOCATIONS INSERT Z B 52 TERMINATION MODULE.  
 △ ADDITIONAL PRIORITY INT. COUPLERS 91280 INSERT INTO REFERENCED LOCATIONS.  
 △ CABLE PLUG MODULE POLARIZING PINS

930  
PAGE 28  
A

REV.		DESCRIPTION		DATE		APPROVED	
A		REL TO MEG		1/6	1/6		9/16

REV.		DESCRIPTION		DATE		APPROVED	
A		REL TO MEG		1/6	1/6		9/16

**SDS**  
 SCIENTIFIC DATA SYSTEMS  
 SANTA MONICA, CALIFORNIA

**DIAGRAM LOGIC COMPUTER**

930	SIZE	DWG. NO.	106407	CHANGE LETTER	A
SCALE		DO NOT SCALE DRAWING		SHEET	

106407 A

1/O (P912) (2F)	1/O (P910) (2F)	1/O (P914) (3F)	1/O (P916) (5F)	BASIC Inter. (P908) (7F)	2 (P940) (2F)	2 (P942) (5F)	2 (P905) (29F)(30F)
1							
2	/C10/o	/SKR2/o	/C21/o (Eom.C10C11)		/Rmp/o	/Eod/o	/Cm0//M0/o
3		/K0/o			/SKR2/o		
4	/C11/o	/Kcc1x/o	/C22/o Mdo		/Kcc0/o	/R11/o	/Cm1//M1/o
5	/C12/o	/Kcc2/o	/C23/o (St)		/Kcc1/o	/SKSR/o	/Cm2//M2/o
6				Cpu Parity	/Kcc0/o		
7	/C13/o	/Rd9/o			/Kcc1/o	/Tr/o	/Cm3//M3/o
8	/C14/o	/Rd10/o			/Kcc1/o	*/M92/o	/Cm4//M4/o
9		/Rd11/o		I/O Parity			
10		/Rd12/o					
11	/C15/o	/Rd13/o	/Rr2/o Int.Console 320		/Kcc2/o	/M12/o	/Cm5//M5/o
12	/C16/o	/Rd14/o	/Rr3/o	/Ioff/o	/Rr2/o	/ClockE1/o	/Cm6//M6/o
13	/C17/o	/Rd9/o	/Rwy1/o	/TL/o	/Rr3/o	/ClockF/o	/Cm7//M7/o
14	/C18/o	/Rd0/Δ	/Rwy2/o Int.Console 320		/Rr4/o	/ClockG/o	/Cm8//M8/o
15		/R1/Δ			/Rr5/o		
16	/C19/o	/R2/Δ	/N5/o		/Rr6/o	/ClockH/o	/Cm9//M9/o
17	/C10/o	/R3/Δ	/N6/o		/Rr7/o	/Pot/o	/Cm10//M10/o
18			/N7/o				
19	/C11/o	/R4/Δ					
20	/C12/o	/R5/Δ	/N8/o		/Rr8/o	/Pr/o	/Cm11//M11/o
21		/R6/Δ			/Rr9/o	/Tr/o	/Cm12//M12/o
22	/C13/o	/R7/Δ			/Rr10/o		
23	/C14/o	/R8/Δ	/Os/o		/Rr11/o	/S1/o	/Cm13//M13/o
24			/ClockWY/o	/St/**	/Rr12/o	/C1x40	/Cm14//M14/o
25	/C15/o	/Tr9/o	/ClockCd/o	/Ij/o	/Rr13/o		
26	/C16/o	/Tr0(Y0+Y9)/o	/Pot/o	/Is/o	/Rr14/o	/C1x/o	/Cm15//M15/o
27		/Wr(W0+W9)/o		/Tr/o	/Rr15/o	/C1x/Δ	/Cm16//M16/o
28	/C17/o						
29	/C18/o	/Tr0/o			/Rr16/o	/C1x/Δ	/Cm17//M17/o
30		/Tr1/o			/Rr17/o	/C17x/o	/Cm18//M18/o
31	/C19/o	/Tr2/o			/Rr18/o		
32	/C20/o	/Tr3/o			/Rr19/o	/C17x/o	/Cm19//M19/o
33		/Tr4/o			/Rr20/o		/Cm20//M20/o
34	/C21/o	/Tr5/o			/Rr21/o		
35	/C22/o	/Tr6/o			/Rr22/o	/Z19/o	/Cm21//M21/o
36		/Tr7/o			/Rr23/o	/Z21/o	/Cm22//M22/o
37	/C23/o	/Tr8/o			/Rr24/o		
38	(R1)	/Tr9/o			/Rr25/Δ	/Z21/o	/Cm23//M23/o
39		/Tr10/o			/Rr26/Δ	/Z21/o	/Cm24//M24/o
40		***/M11/o			/Rr27/Δ		
41					/Rr28/Δ	/Zr1/o	/M17/o
42					/Rr29/Δ		Overtemp
43					/Rr30/Δ		
44	OV				/Rr31/Δ		Mdo
45	+4V						
46	-16V						
47	+16V						

Δ 930C only

930  
PAGE 29  
A

REVISIONS				106407	A
REV	DESCRIPTION	CHK	DATE	APPROVED	
A	REL. TO 106407		8.1	8.1	

**BDS**  
BIOLOGICAL DATA SYSTEMS  
SAN DIEGO, CALIFORNIA

DIAGRAM, LOGIC  
COMPUTER

930	106407	A
SCALE	DO NOT SCALE DRAWING	SWERT

A|106407

CONTROL CONSOLE

	(p906) (33F)	(p907) (35F)	(p907) (36F)	(p901) (61F)	(p902) (62F)	(p903) (63F)	(p904) (64F)
1							
2	/L <sub>50</sub> /o	/L <sub>20</sub> /o	/L <sub>20</sub> /o	(K <sub>20</sub> )o	(K <sub>20</sub> )o	C01o	P11o
3	/L <sub>51</sub> /o	/L <sub>21</sub> /o	/L <sub>21</sub> /o	(K <sub>21</sub> )o	(K <sub>21</sub> )o	o	o
4	/L <sub>52</sub> /o	/L <sub>22</sub> /o	/L <sub>22</sub> /o	(K <sub>22</sub> )o	(K <sub>22</sub> )o	C21o	P21o
5	/L <sub>53</sub> /o	/L <sub>23</sub> /o	/L <sub>23</sub> /o	(K <sub>23</sub> )o	(E <sub>n</sub> )o	C31o	P31o
6	/L <sub>54</sub> /o	/L <sub>24</sub> /o	/L <sub>24</sub> /o	(K <sub>24</sub> )o	(K <sub>24</sub> )o	o	o
7	/L <sub>55</sub> /o	/L <sub>25</sub> /o	/L <sub>25</sub> /o	(K <sub>25</sub> )o	(K <sub>25</sub> )o	C41o	P41o
8	/L <sub>56</sub> /o	/L <sub>26</sub> /o	/L <sub>26</sub> /o	(K <sub>26</sub> )o	(K <sub>26</sub> )o	C51o	P51o
9	/L <sub>57</sub> /o	/L <sub>27</sub> /o	/L <sub>27</sub> /o	(K <sub>27</sub> )o	o	o	o
10	/L <sub>58</sub> /o	/L <sub>28</sub> /o	/L <sub>28</sub> /o	(K <sub>28</sub> )o	(K <sub>28</sub> )o	C61o	P61o
11	/L <sub>59</sub> /o	/L <sub>29</sub> /o	/L <sub>29</sub> /o	(K <sub>29</sub> )o	(K <sub>29</sub> )o	C71o	P71o
12	/L <sub>60</sub> /o	/L <sub>30</sub> /o	/L <sub>30</sub> /o	(K <sub>30</sub> )o	o	o	o
13	/L <sub>61</sub> /o	/L <sub>31</sub> /o	/L <sub>31</sub> /o	(K <sub>31</sub> )o	(K <sub>31</sub> )o	C81o	P81o
14	/L <sub>62</sub> /o	/L <sub>32</sub> /o	/L <sub>32</sub> /o	(K <sub>32</sub> +K <sub>2</sub> )o	(K <sub>32</sub> )o	C91o	P91o
15	/L <sub>63</sub> /o	/L <sub>33</sub> /o	/L <sub>33</sub> /o	(K <sub>33</sub> )o	o	o	o
16	/L <sub>64</sub> /o	/L <sub>34</sub> /o	/L <sub>34</sub> /o	(K <sub>34</sub> +K <sub>2</sub> )o	(K <sub>34</sub> +K <sub>2</sub> )o	C101o	P101o
17	/L <sub>65</sub> /o	/L <sub>35</sub> /o	/L <sub>35</sub> /o	(K <sub>35</sub> )o	(K <sub>35</sub> )o	C111o	P111o
18	/L <sub>66</sub> /o	/L <sub>36</sub> /o	/L <sub>36</sub> /o	o	o	o	o
19	/L <sub>67</sub> /o	/L <sub>37</sub> /o	/L <sub>37</sub> /o	(K <sub>37</sub> +K <sub>2</sub> )o	(K <sub>37</sub> )o	C121o	P121o
20	/L <sub>68</sub> /o	/L <sub>38</sub> /o	/L <sub>38</sub> /o	(K <sub>38</sub> )o	(K <sub>38</sub> )o	C131o	P131o
21	/L <sub>69</sub> /o	/L <sub>39</sub> /o	/L <sub>39</sub> /o	o	o	o	o
22	/L <sub>70</sub> /o	/L <sub>40</sub> /o	/L <sub>40</sub> /o	(K <sub>39</sub> )o	(K <sub>39</sub> +K <sub>2</sub> )o	C141o	P141o
23	/L <sub>71</sub> /o	/L <sub>41</sub> /o	/L <sub>41</sub> /o	(K <sub>40</sub> )o	(K <sub>40</sub> )o	C151o	Rd1o
24	/L <sub>72</sub> /o	/L <sub>42</sub> /o	/L <sub>42</sub> /o	o	o	o	o
25	/M <sub>73</sub> /o	/M <sub>43</sub> /o	/M <sub>43</sub> /o	(K <sub>41</sub> )o	(S <sub>t</sub> )o	C161o	Rd91o
26	/M <sub>74</sub> /o	/M <sub>44</sub> /o	/M <sub>44</sub> /o	(K <sub>42</sub> )o	(K <sub>42</sub> )o	C171o	Rd101o
27	/T <sub>75</sub> /o	/T <sub>45</sub> /o	/T <sub>45</sub> /o	o	o	o	o
28	/T <sub>76</sub> /o	/T <sub>46</sub> /o	/T <sub>46</sub> /o	(K <sub>43</sub> )o	(K <sub>43</sub> )o	C181o	Rd111o
29	/T <sub>77</sub> /o	/T <sub>47</sub> /o	/T <sub>47</sub> /o	(K <sub>44</sub> )o	(K <sub>44</sub> )o	C191o	Rd121o
30	/L <sub>78</sub> /o	/L <sub>48</sub> /o	/L <sub>48</sub> /o	o	o	o	o
31	/L <sub>79</sub> /o	/L <sub>49</sub> /o	/L <sub>49</sub> /o	(K <sub>45</sub> )o	(K <sub>45</sub> )o	C201o	Rd131o
32	/L <sub>80</sub> /o	/L <sub>50</sub> /o	/L <sub>50</sub> /o	(K <sub>46</sub> )o	(K <sub>46</sub> )o	C211o	Rd141o
33	/L <sub>81</sub> /o	/L <sub>51</sub> /o	/L <sub>51</sub> /o	o	o	o	o
34	/L <sub>82</sub> /o	/L <sub>52</sub> /o	/L <sub>52</sub> /o	(K <sub>47</sub> )o	(K <sub>47</sub> )o	C221o	Em11o
35	/E <sub>om</sub> /o	/E <sub>om</sub> /o	/E <sub>om</sub> /o	(K <sub>48</sub> )o	(K <sub>48</sub> )o	C231o	Em21o
36	/E <sub>om</sub> /o	/E <sub>om</sub> /o	/E <sub>om</sub> /o	o	o	o	o
37	/E <sub>om</sub> /o	/E <sub>om</sub> /o	/E <sub>om</sub> /o	(K <sub>49</sub> )o	(K <sub>49</sub> )o	Or11o	o
38	/E <sub>om</sub> /o	/E <sub>om</sub> /o	/E <sub>om</sub> /o	(K <sub>50</sub> )o	(K <sub>50</sub> +K <sub>2</sub> )o	(C <sub>p</sub> H <sub>t</sub> ) <sub>i</sub> o	o
39	/E <sub>om</sub> /o	/E <sub>om</sub> /o	/E <sub>om</sub> /o	o	o	o	o
40	/E <sub>om</sub> /o	/E <sub>om</sub> /o	/E <sub>om</sub> /o	(K <sub>51</sub> )o	(K <sub>51</sub> )o	(C <sub>p</sub> H <sub>t</sub> ) <sub>i</sub> o	o
41	/E <sub>om</sub> /o	/E <sub>om</sub> /o	/E <sub>om</sub> /o	(K <sub>52</sub> +K <sub>2</sub> )o	(K <sub>52</sub> +K <sub>2</sub> )o	(E <sub>n</sub> +E <sub>n</sub> ) <sub>i</sub> o	o
42	/E <sub>om</sub> /o	/E <sub>om</sub> /o	/E <sub>om</sub> /o	o	o	o	o
43	/E <sub>om</sub> /o	/E <sub>om</sub> /o	/E <sub>om</sub> /o	(K <sub>53</sub> )o	o	C111o	o
44	0V0	0V0	0V0	o	o	o	o
45	+4V0	+4V0	+4V0	o	o	o	o
46	-16V0	-16V0	-16V0	o	o	o	o
47	+16V0	+16V0	+16V0	o	o	o	o

930  
PAGE 30  
A

REVISIONS				
REV	DESCRIPTION	CHK	DATE	APPROV
A	REL. 01-50	22	2/14	CH-127

106407 A

---

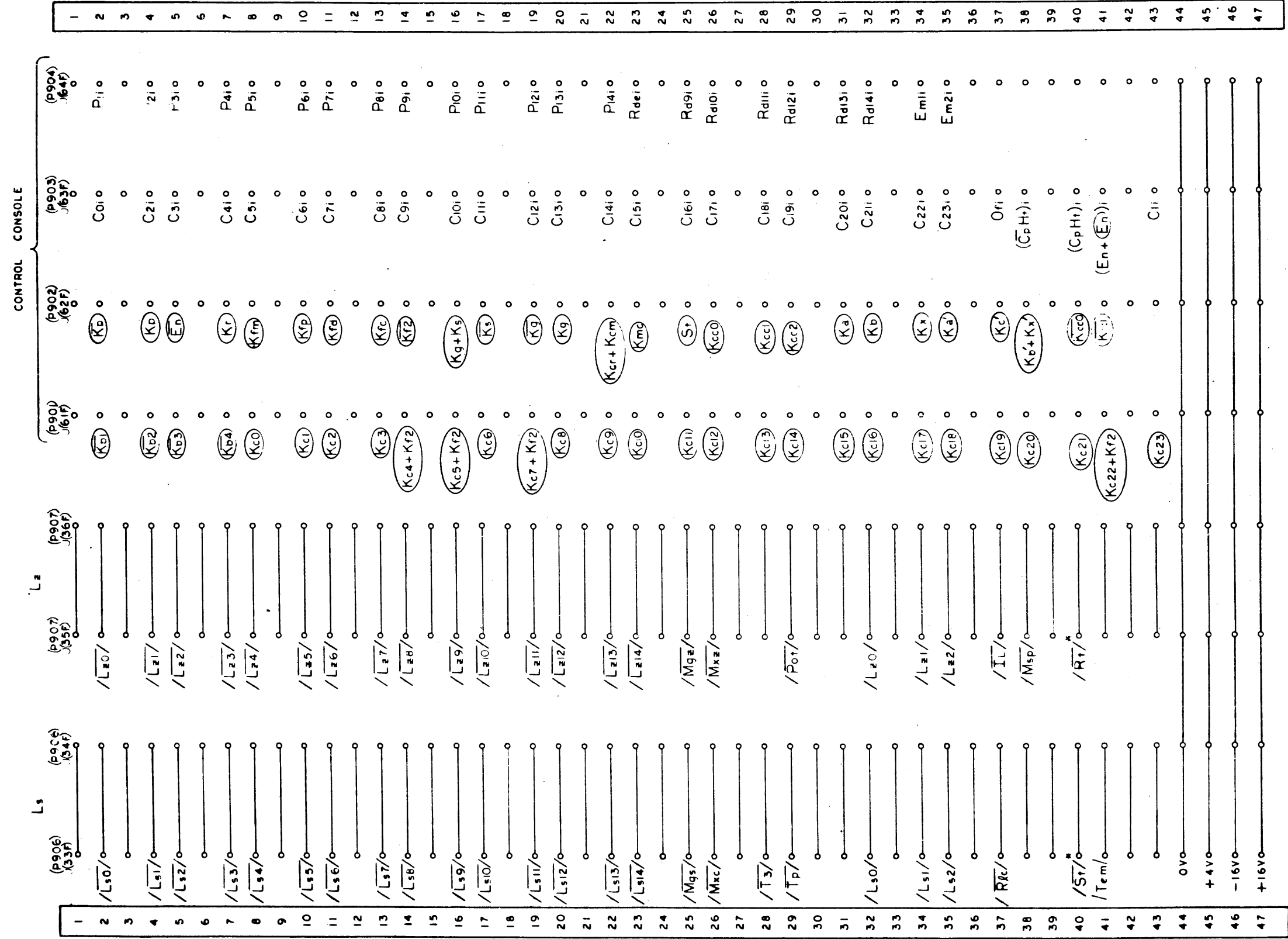
**SDB**  
SCIENTIFIC DATA SYSTEMS  
SANTA MONICA, CALIFORNIA

TITLE  
**DIAGRAM, LOGIC  
COMPUTER**

930	930	106407	A
-----	-----	--------	---

SCALE: DO NOT SCALE DRAWING SHEET

A106407



930  
PAGE 30  
B

REVISIONS				
REV.	DESCRIPTION	CHK.	DATE	APPROV.
A	DEL. TO 1-30		2/14/54	
B	SEE REV E0		2/14/54	

106407 B

**SDB**  
SCIENTIFIC DATA SYSTEMS  
SANTA MONICA, CALIFORNIA

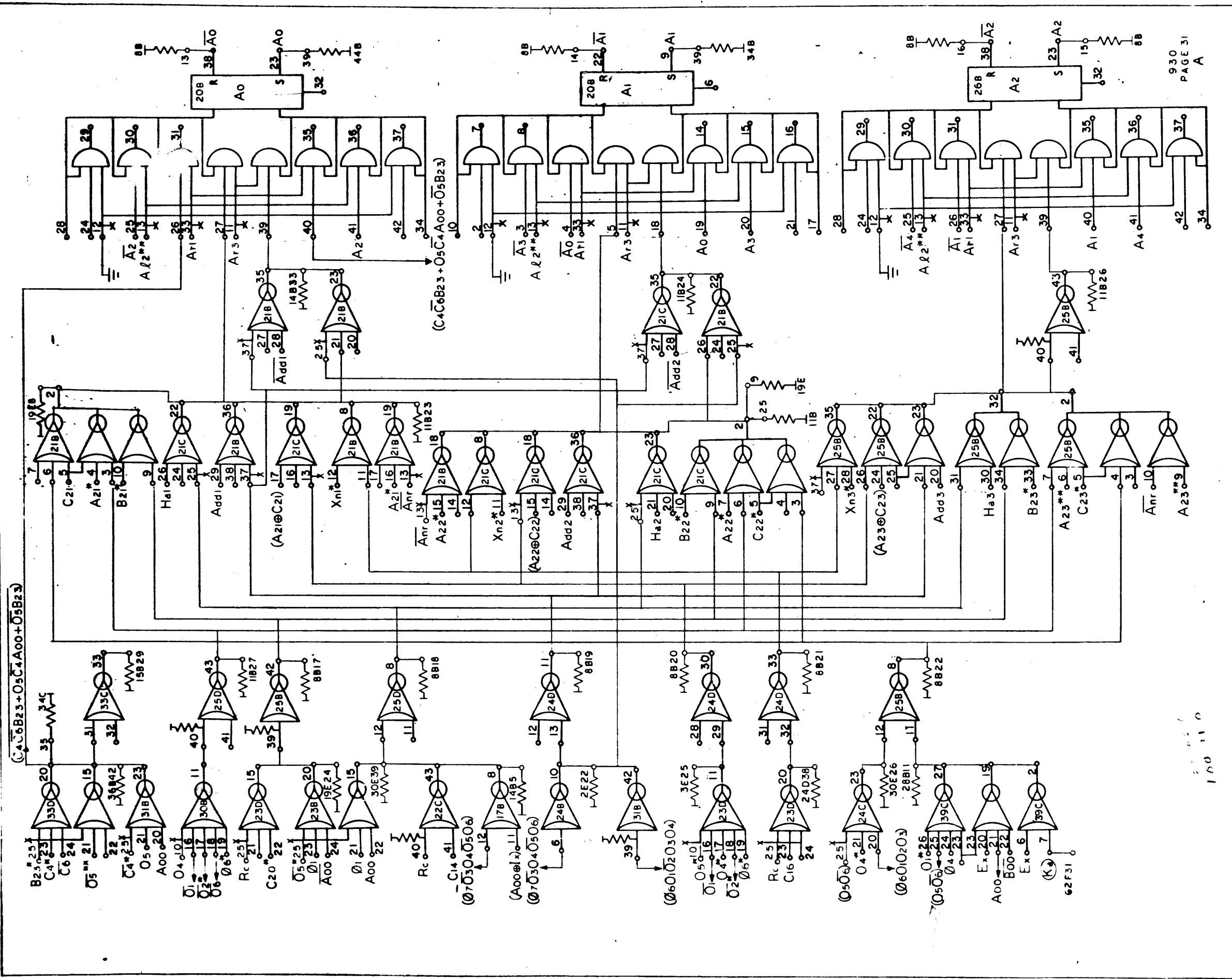
DIAGRAM, LOGIC  
COMPUTER

930	106407	B
SCALE	DO NOT SCALE DRAWING	SHOWN 30

B106407





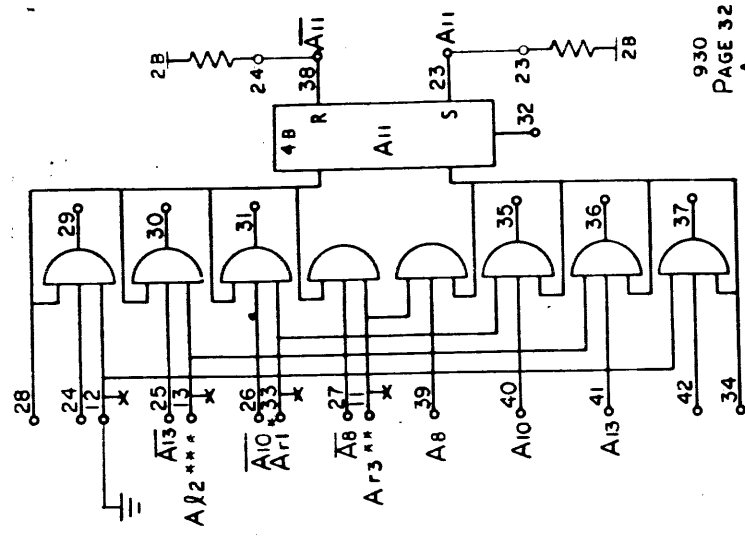
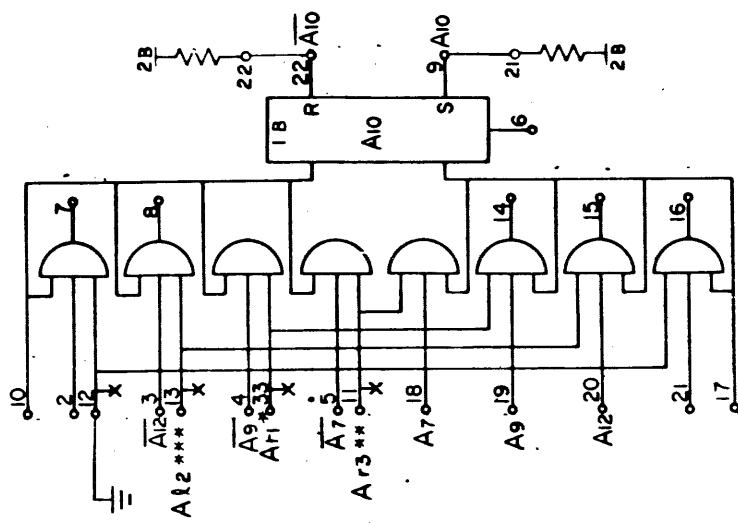
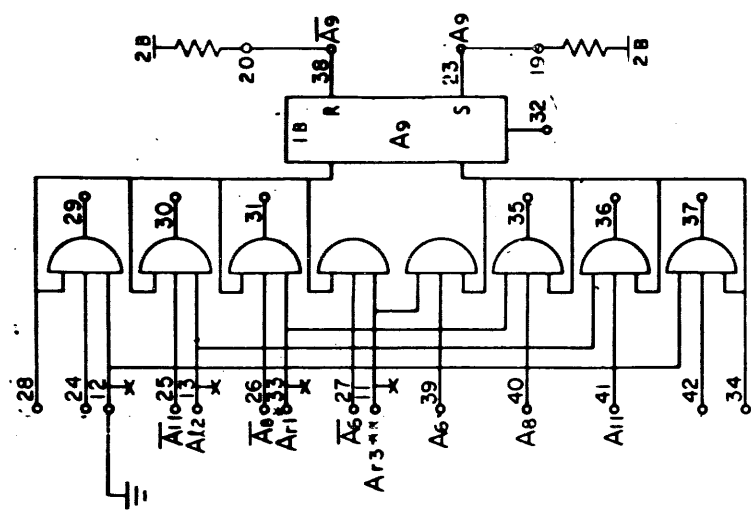


930  
PAGE 31  
A

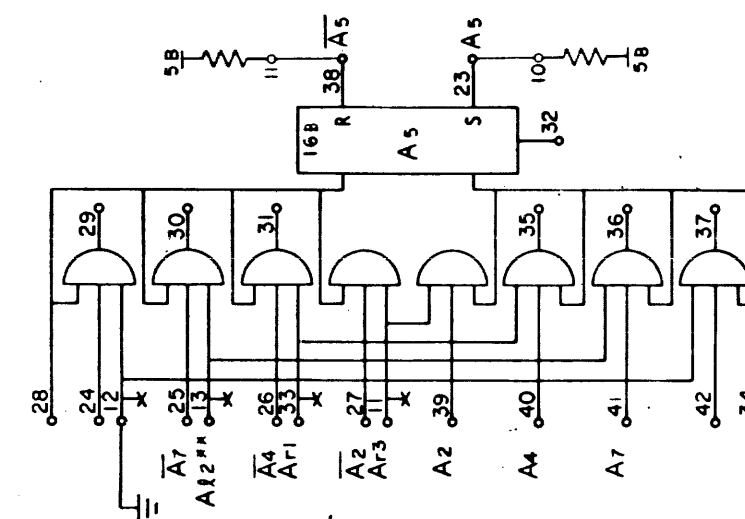
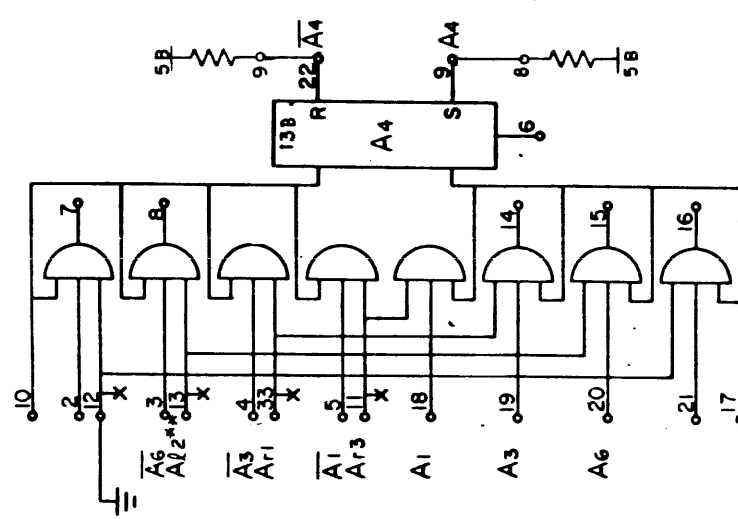
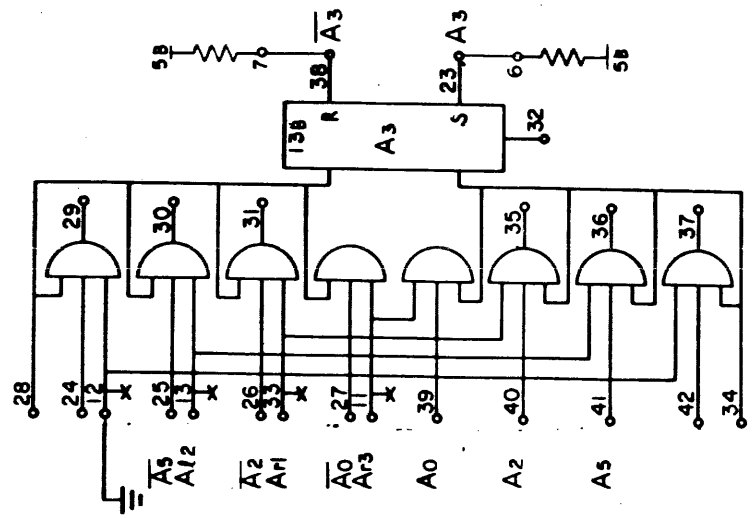
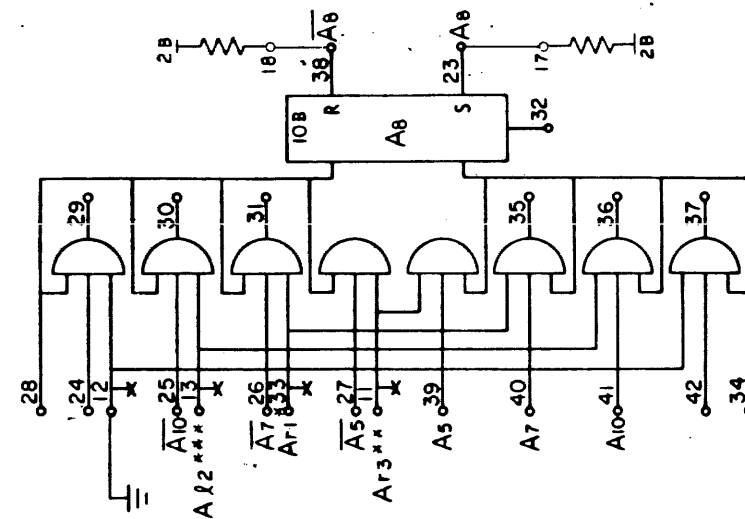
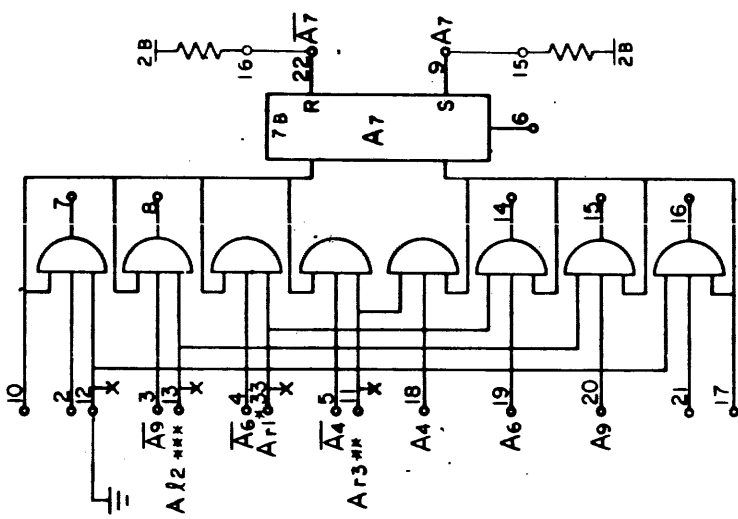
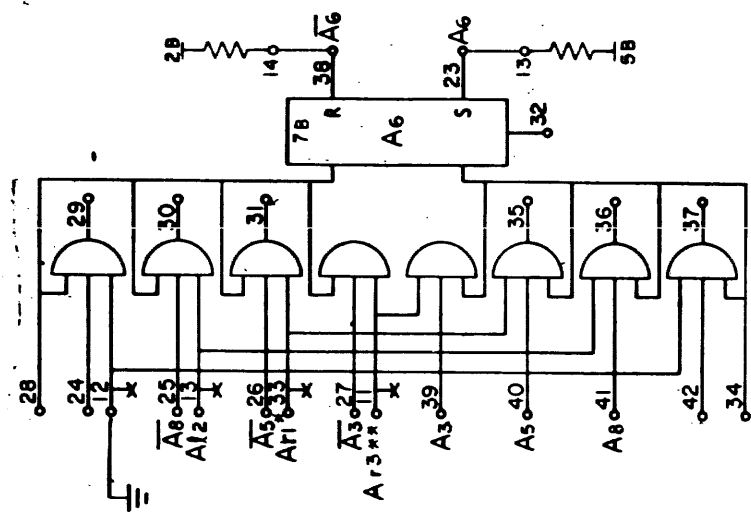
REVISIONS				106407	A
REV.	DESCRIPTION	CHK.	DATE	APPROVED	
A	REL. TO M.S.				

SDS SCIENTIFIC DATA SYSTEMS SANTA MONICA, CALIFORNIA			
DIAGRAM, LOGIC COMPUTER			
930	SIZE	DWG. NO.	106407
SCALE	DO NOT SCALE DRAWING	SHEET	A

106407/A



930  
PAGE 32  
A



REVISIONS				106407	A
REV	DESCRIPTION	CHR	DATE	APPROVED	
A	REL. TO MFG.	W	7.14.64	MARK	

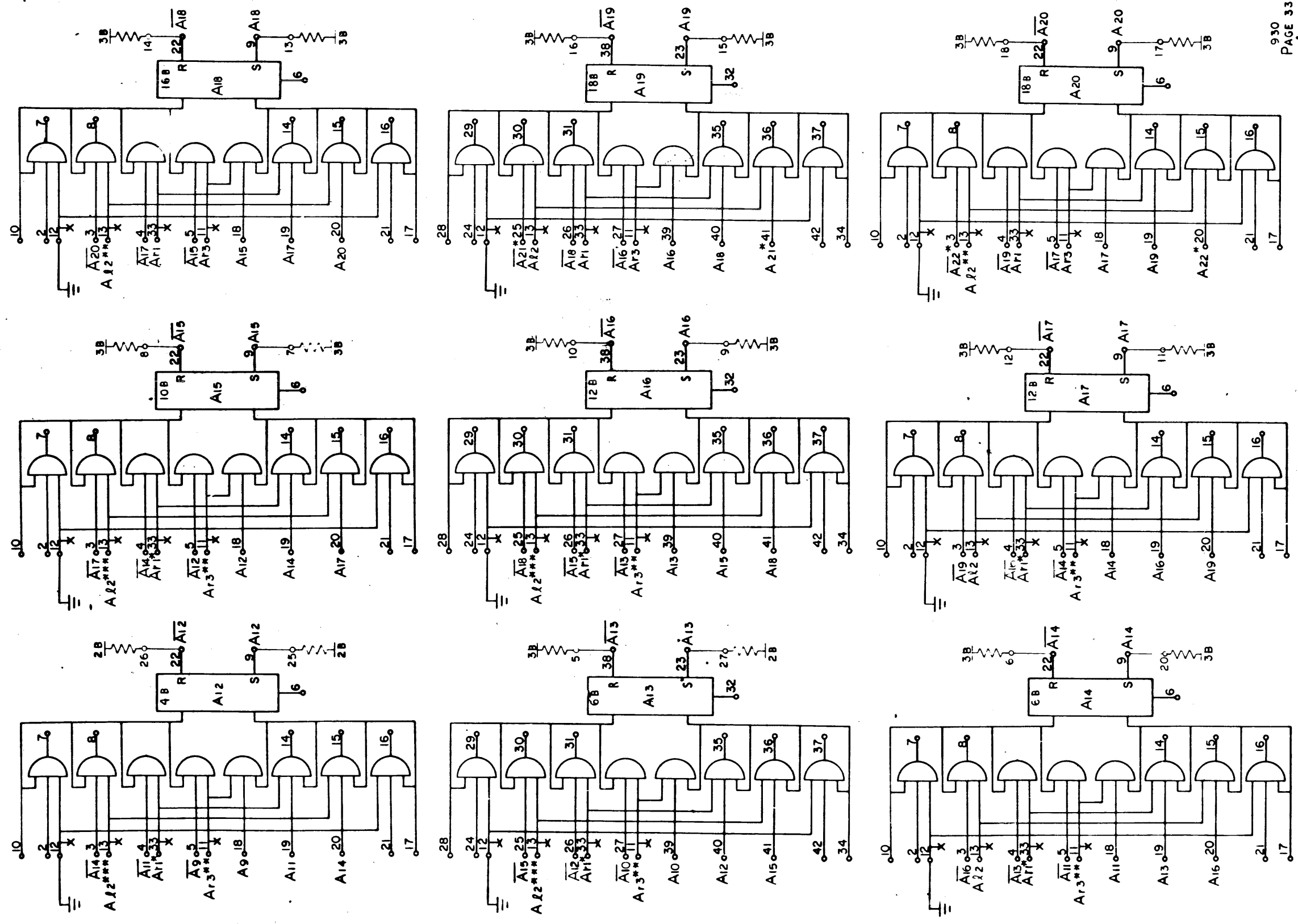
  

<b>SBS</b> SCIENTIFIC DATA SYSTEMS SANTA MONICA, CALIFORNIA	
TITLE <b>DIAGRAM, LOGIC COMPUTER</b>	
930	DWG NO. 106407
SCALE	TRANSIT LETTER A
DO NOT SCALE DRAWING SHEET	

106407/A

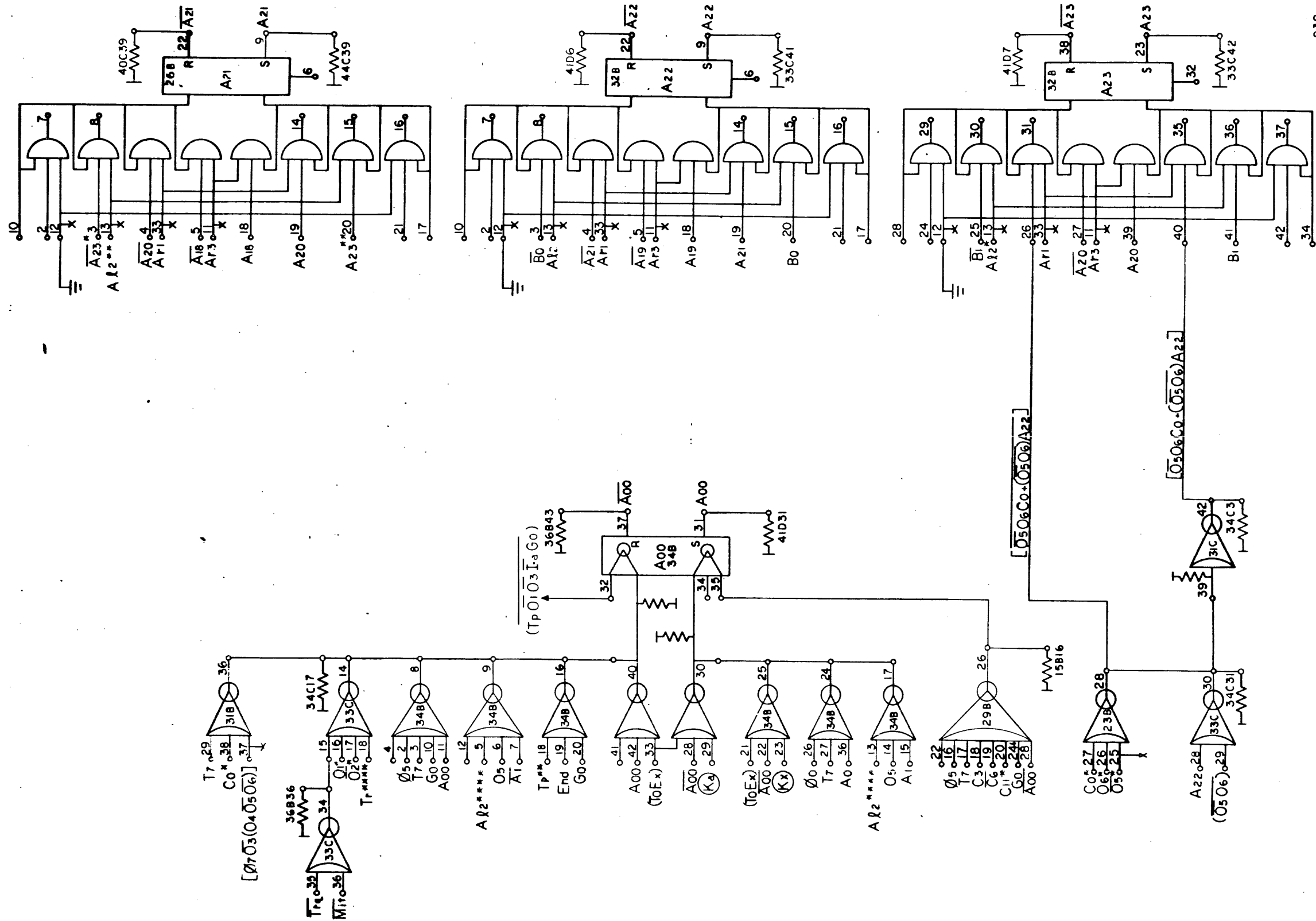
REVISIONS		106407 A	
REV	DESCRIPTION	CHK	DATE
A	REL TO MFG	EE	7/24/54

930  
PAGE 33  
A



106407/A

<b>SDB</b> SCIENTIFIC DATA SYSTEMS SANTA MONICA, CALIFORNIA	
TITLE <b>DIAGRAM, LOGIC COMPUTER</b>	
930	DWG NO. <b>106407</b>
SCALE DO NOT SCALE DRAWING	SHEET <b>A</b>



930  
PAGE 34  
A

REVISIONS				
REV	DESCRIPTION	CHE	DATE	APPROVED
A	REL TO VFG	SZ	7/19/76	

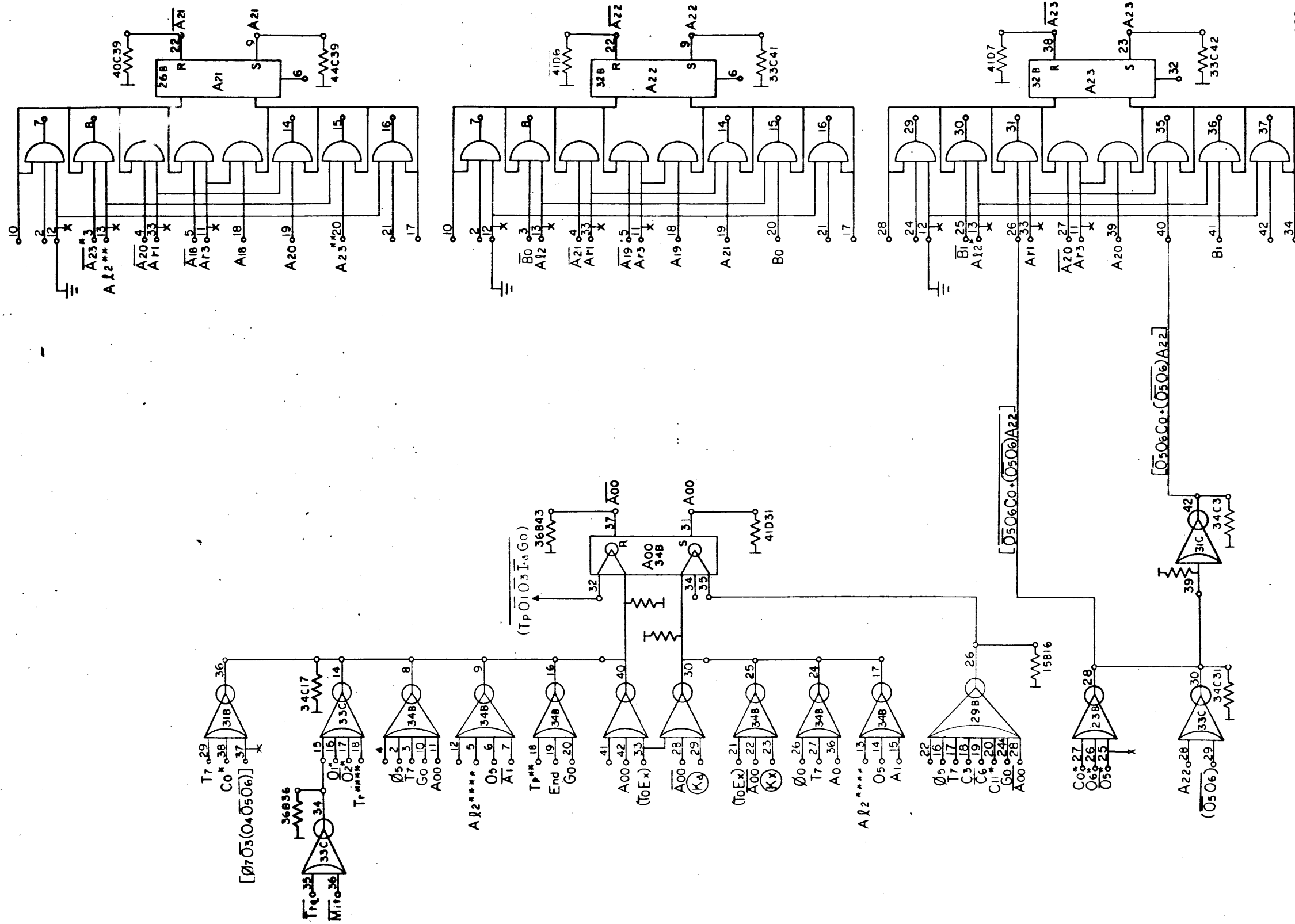
**SDB**  
SCIENTIFIC DATA SYSTEMS  
SANTA MONICA, CALIFORNIA

TITLE  
**DIAGRAM, LOGIC  
COMPUTER**

930	106407	A
-----	--------	---

SCALE DO NOT SCALE DRAWING DWG. NO. DRAWN BY

106407/A



930  
PAGE 34  
B

REVISIONS				
REV.	DESCRIPTION	CHK	DATE	APPROVED
A	REL TO MFG	JF	1/16/60	[Signature]
B	SEE REV E0		1/25/60	[Signature]

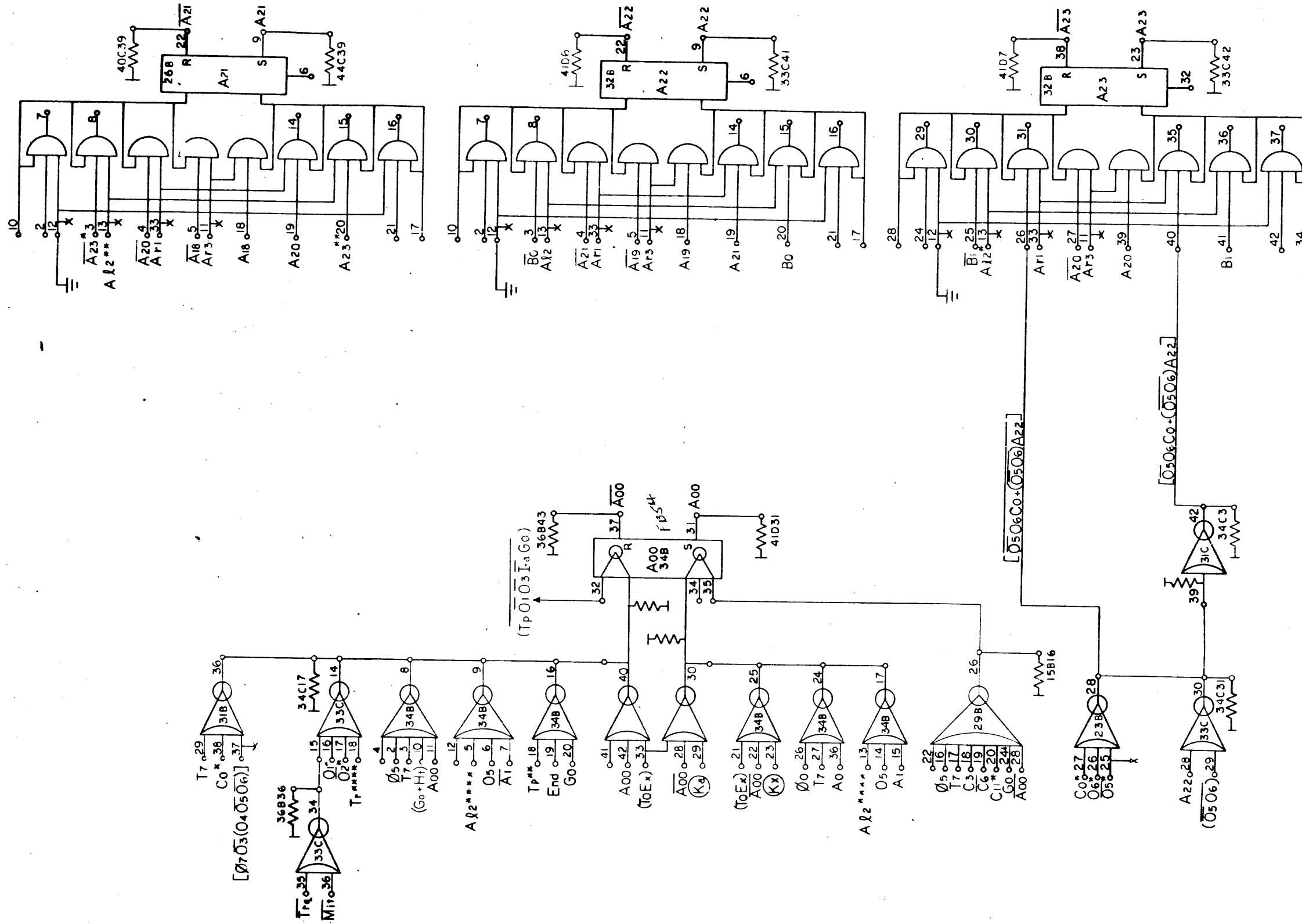
**SDB**  
SCIENTIFIC DATA SYSTEMS  
SANTA ANITA, CALIFORNIA

DIAGRAM, LOGIC  
COMPUTER

930	106407	B
-----	--------	---

SCALE: DO NOT SCALE DRAWING SHEET 34

106407/B



930  
PAGE 34  
E

REVISIONS				
REV	DESCRIPTION	CHK	DATE	APPROVED
A	REL TO VEG			
B	SEE REV E0			
E	SEE REV E0			

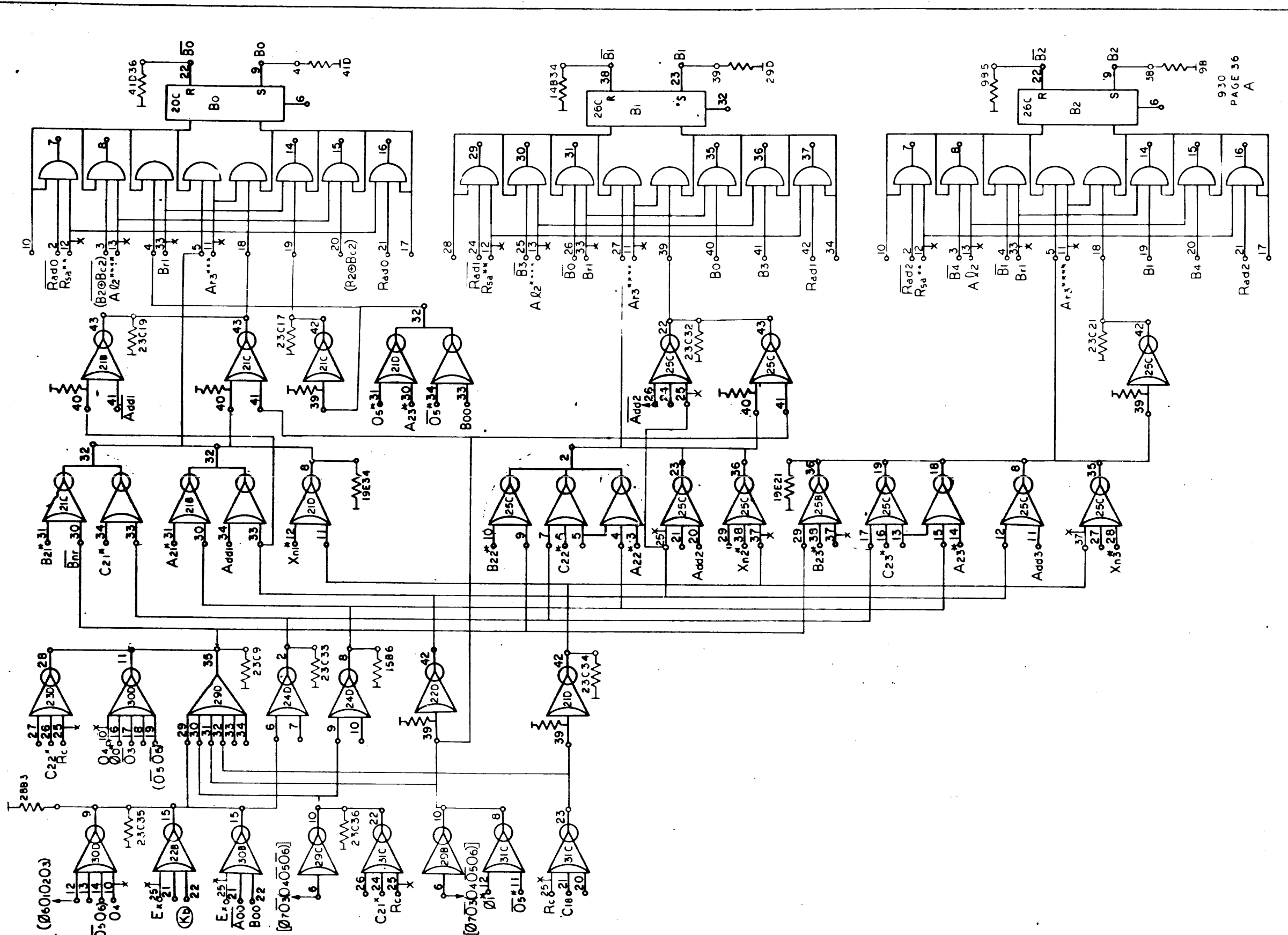
106407E

**SDB**  
SCIENTIFIC DATA SYSTEMS  
SANTA MONICA, CALIFORNIA

TITLE  
**DIAGRAM, LOGIC  
COMPUTER**

930	DWG. NO.	106407	REVISED	E
SCALE	DO NOT SCALE DRAWING	SHEET	34	





REVISIONS			
REV	DESCRIPTION	CHE	DATE
A	REL TO MFG		

106407 A

930  
PAGE 36  
A

106407/A

**SDS**  
SCIENTIFIC DATA SYSTEMS  
SANTA MONICA, CALIFORNIA

TITLE: **DIAGRAM, LOGIC COMPUTER**

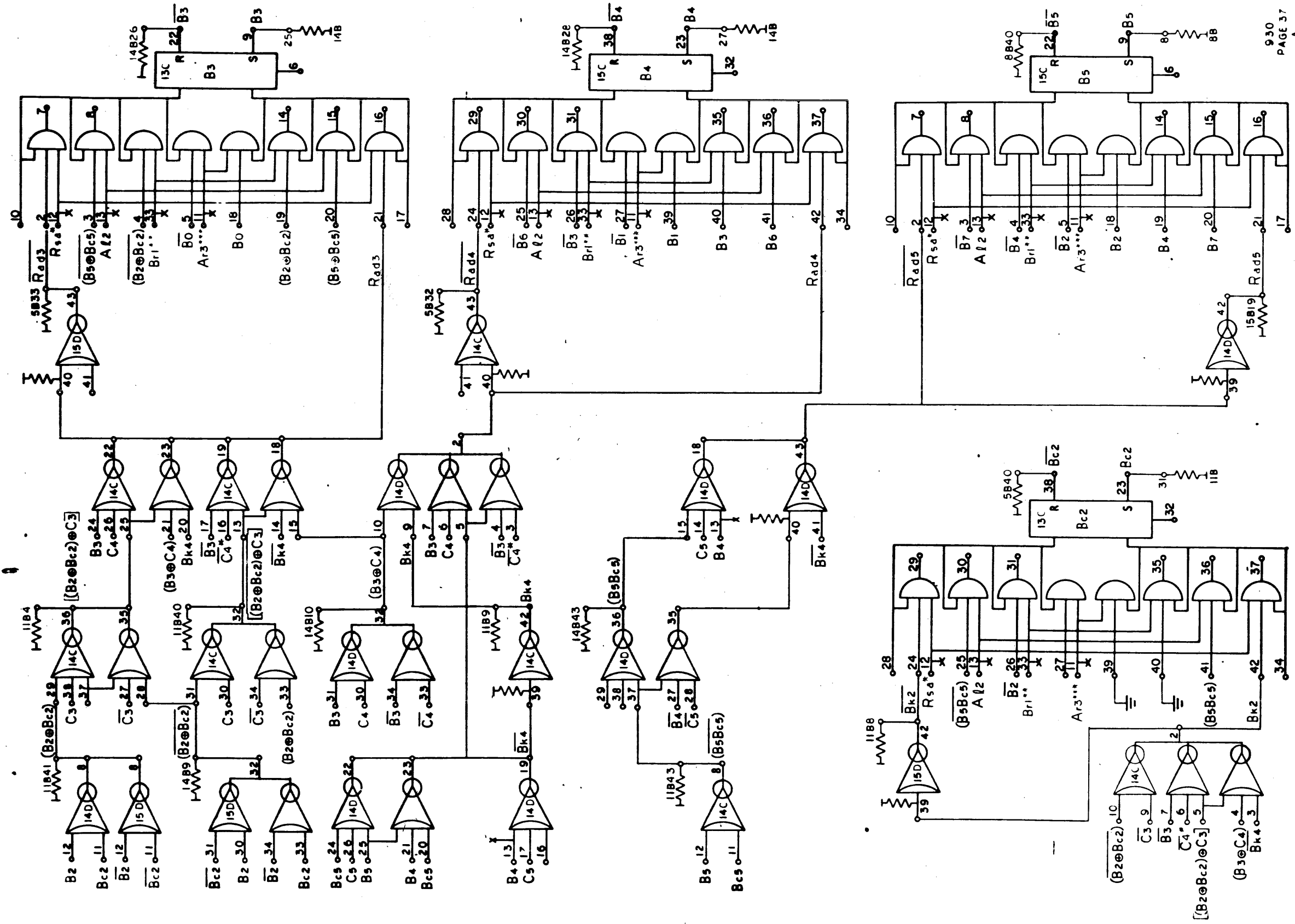
930	106407	A
-----	--------	---

DO NOT SCALE DRAWING SHEET



REVISIONS				106407	A
REV.	DESCRIPTION	CHK.	DATE	APPROVED	
A	REL TO VFG				

930  
PAGE 37  
A

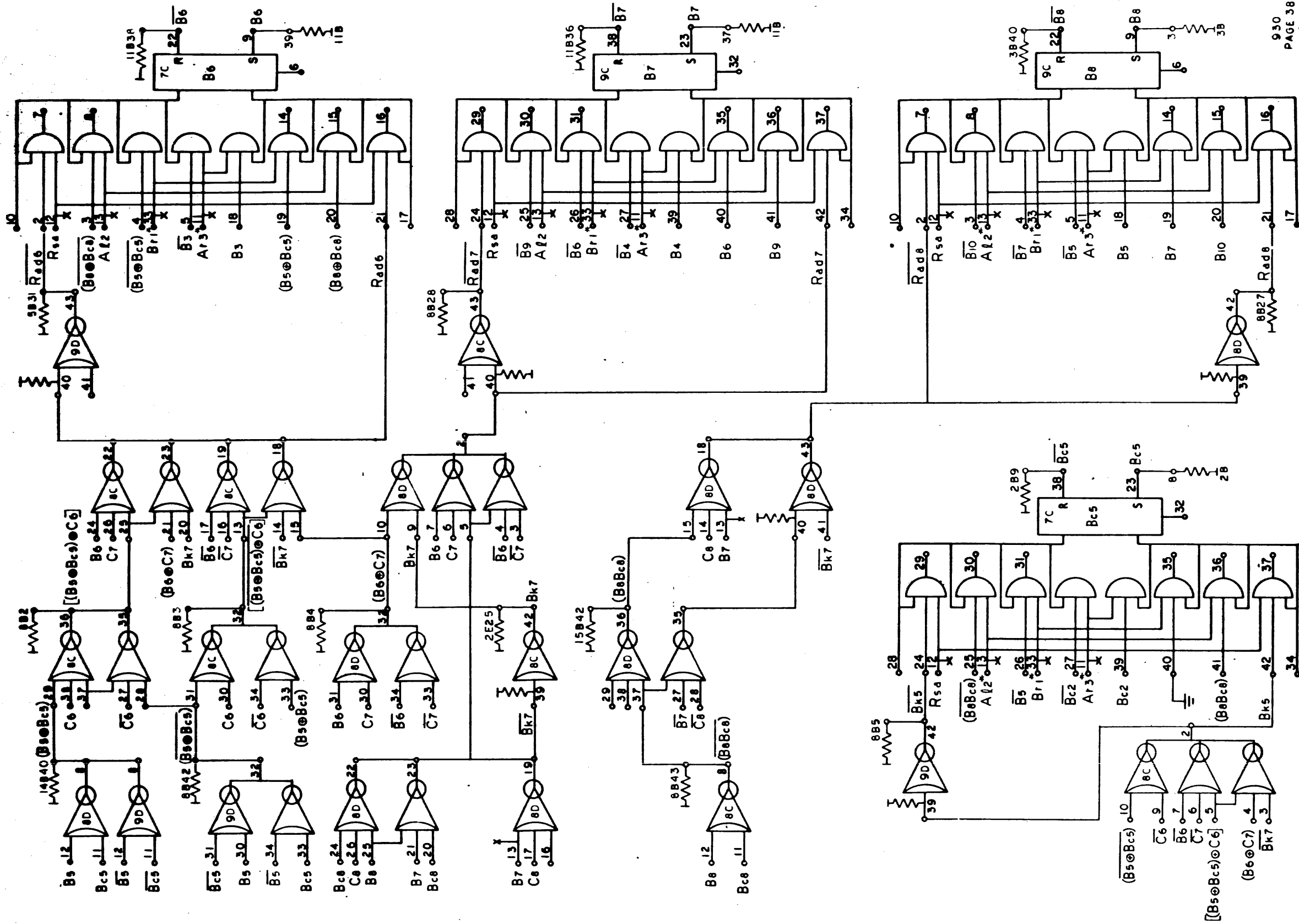


**SDS**  
SCIENTIFIC DATA SYSTEMS  
SANTA MONICA, CALIFORNIA

TITLE  
**DIAGRAM, LOGIC COMPUTER**

930	SIZE	DWS NO.	106407	CHANGE LITER	A
SCALE		DO NOT SCALE DRAWING		SHEET	

106407A



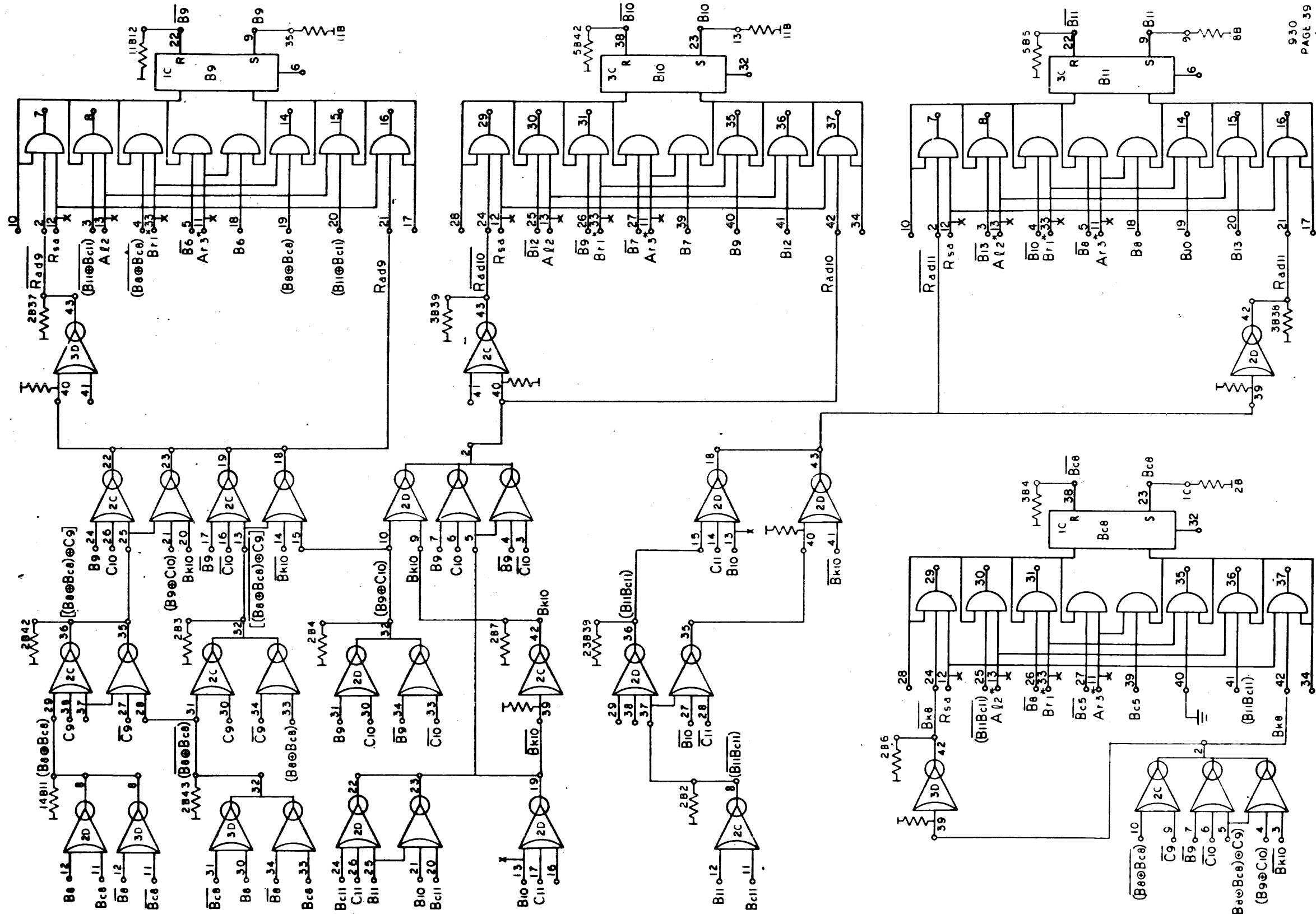
930  
PAGE 38  
A

REVISIONS		106407 A	
REV	DESCRIPTION	CHE	DATE
A	2E TO VFG		

TITLE		SDS SCIENTIFIC DATA SYSTEMS SANTA MONICA, CALIFORNIA	
DIAGRAM, LOGIC COMPUTER			
930	DWG NO.	106407	
SCALE	DO NOT SCALE DRAWING	SHEET	A

106407/A



REVISIONS				106407	A
REV	DESCRIPTION	CHK	DATE	APPROVED	
A	REL TO VFG	WZ	7/1/64	SP	

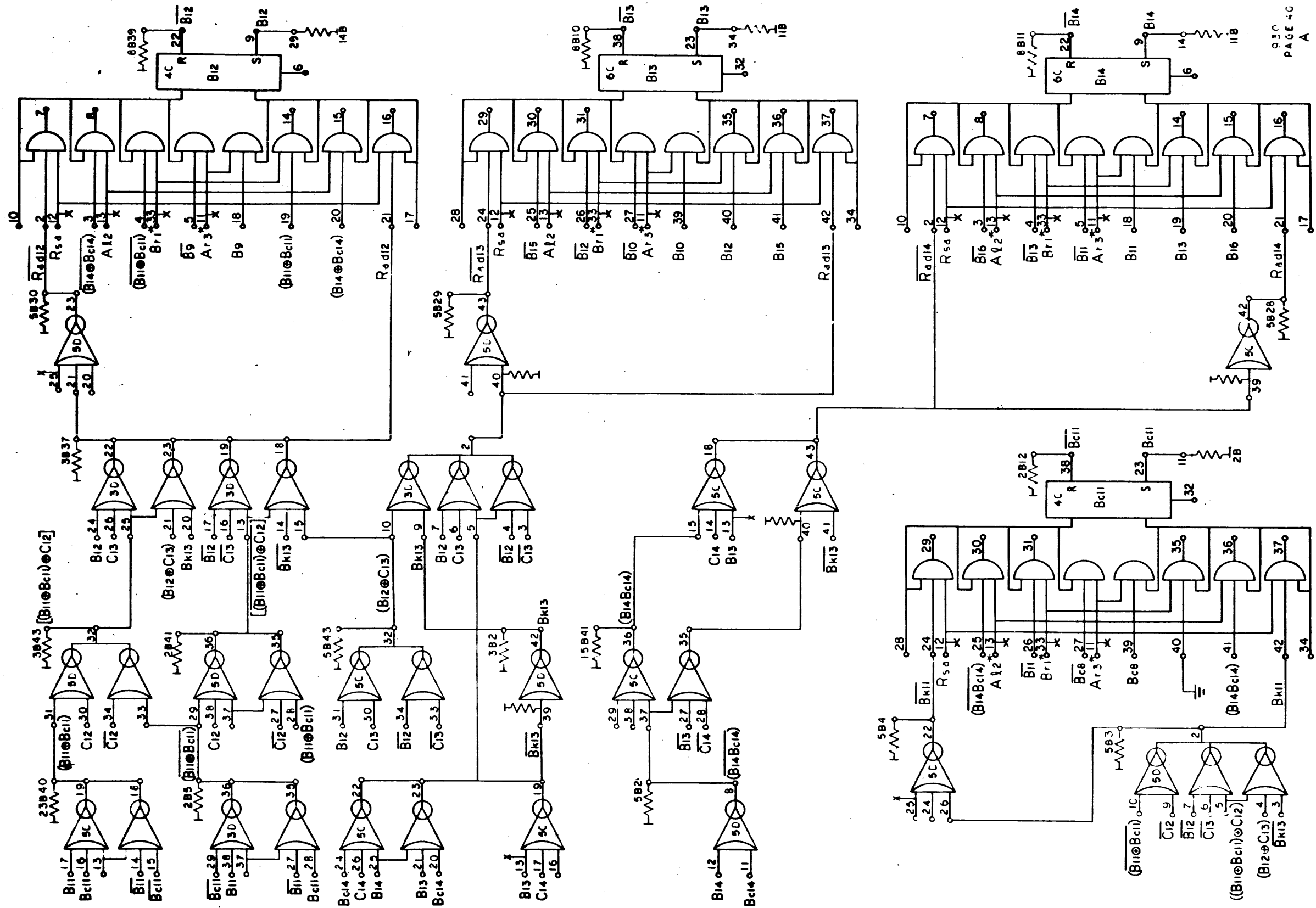
930  
PAGE 39  
A

**SDS**  
SCIENTIFIC DATA SYSTEM  
SANTA MONICA, CALIFORNIA

TITLE: **DIAGRAM, LOGIC COMPUTER**

930	REV. NO.	106407	FRAME	A
SCALE		DO NOT SCALE DRAWING	SHEET	

106407/A



930  
PAGE 40  
A

REVISIONS			
REV.	DESCRIPTION	CHK.	DATE
A	ZEL TO MFG		

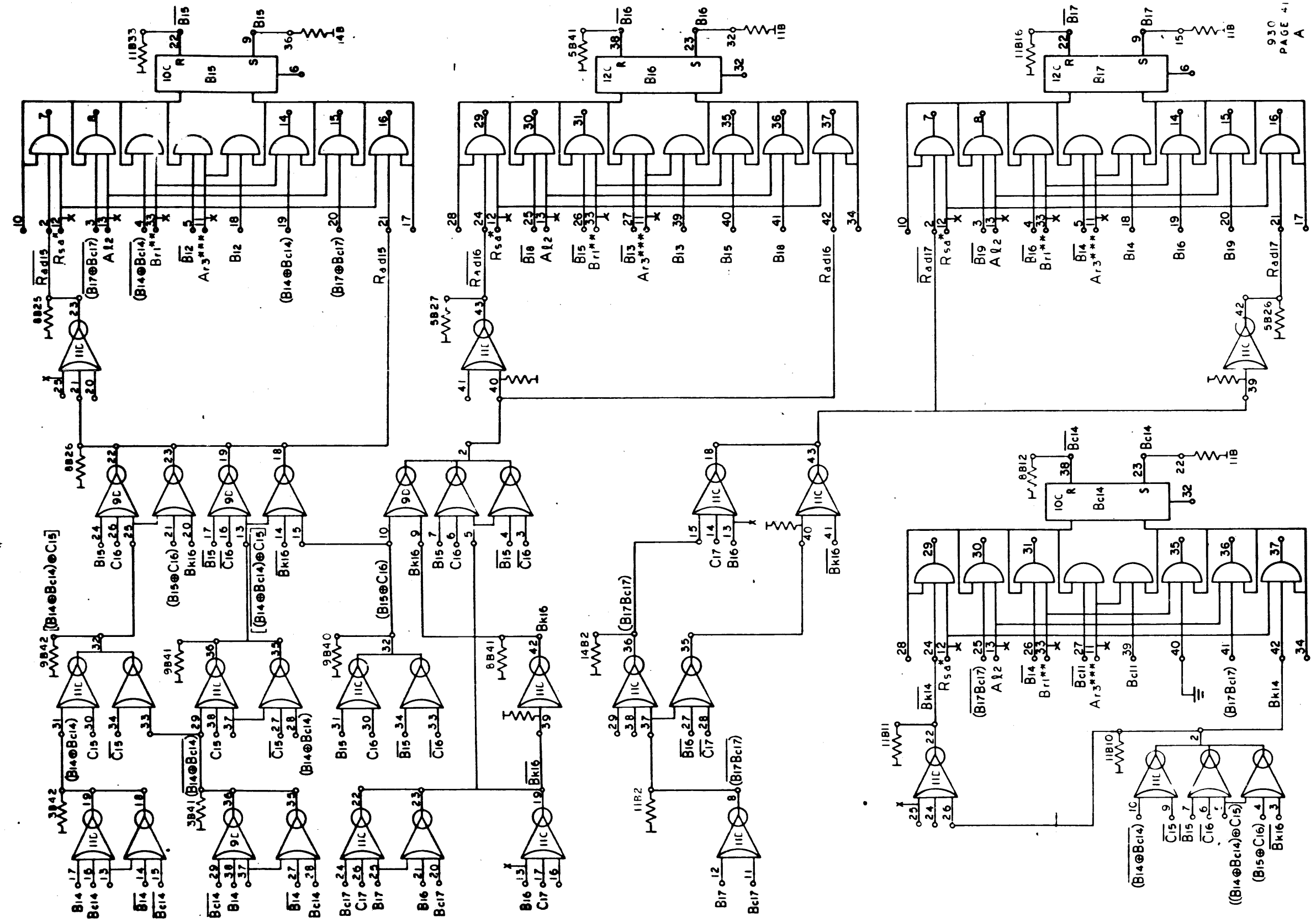
106407 A



DIAGRAM, LOGIC  
COMPUTER

930	106407	A
-----	--------	---

1106407A1



REVISIONS				106407	A
REV.	DESCRIPTION	CHK	DATE	APPROVED	
A	REL TO MFG	SL	9/2/69	J. H. H. H.	

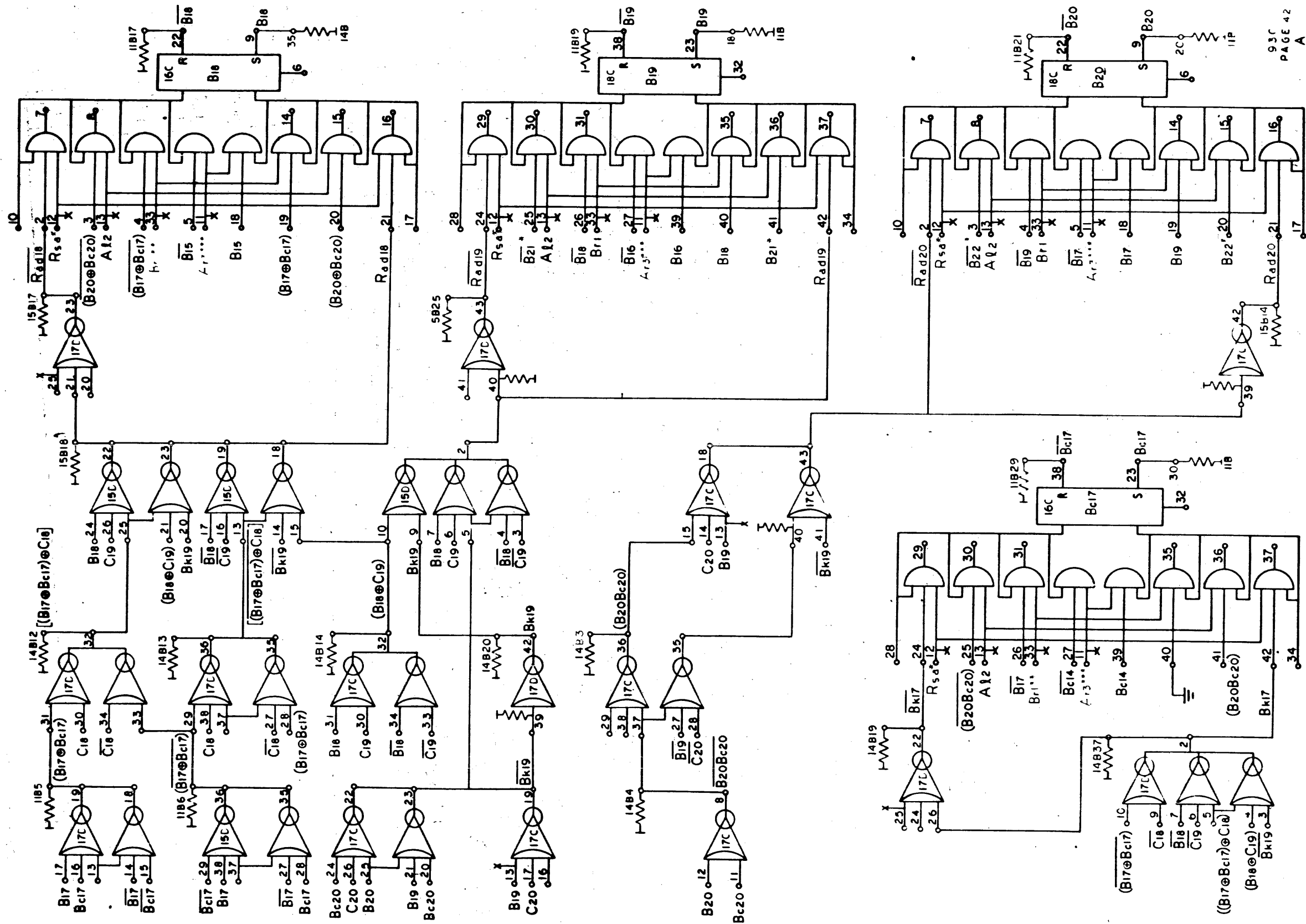
930  
PAGE 41  
A

**SDS**  
SCIENTIFIC DATA SYSTEMS  
SANTA MONICA, CALIFORNIA

TITLE: **DIAGRAM, LOGIC COMPUTER**

930	REV. NO.	106407	ISSUED	A
SCALE	DO NOT SCALE DRAWING	SHEET		

1106407A1



93C  
PAGE 42  
A

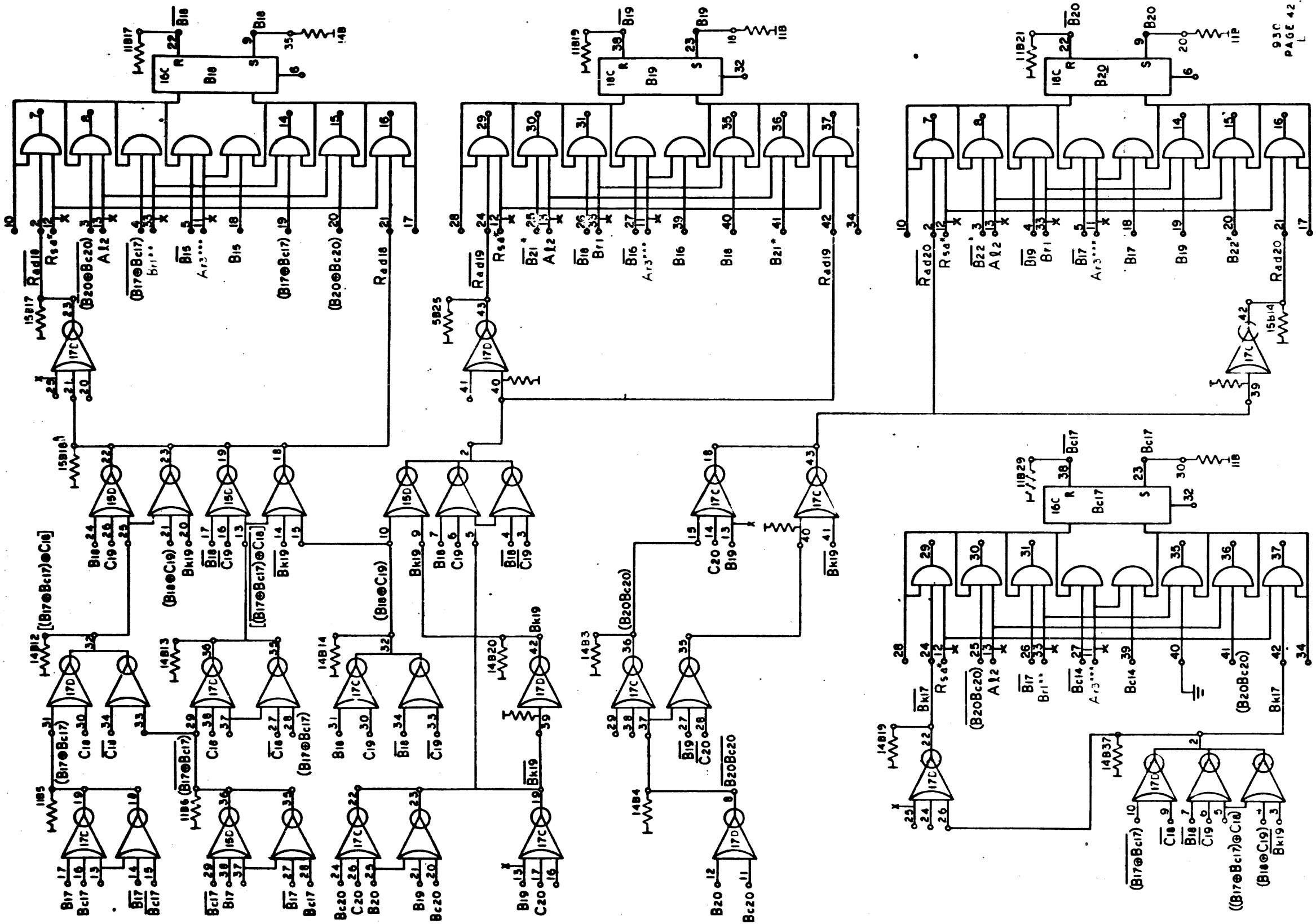
REVISIONS				106407	A
REV.	DESCRIPTION	CHR.	DATE	APPROVED	
A	RELEASED TO VEG		1/24		

**SDS**  
SCIENTIFIC DATA SYSTEMS  
SANTA MONICA, CALIFORNIA

TITLE: **DIAGRAM, LOGIC COMPUTER**

330	DWG NO. 106407	CRASH LETTER A
SCALE	DO NOT SCALE DRAWING	SHEET

106407/A



93C  
PAGE 42

REVISIONS				106407
REV.	DESCRIPTION	CHK.	DATE	APPROVED
A	RELEASED TO MFG.			
L	SEE REV E.O.			

**SDS**  
SOLUTIONS DATA SYSTEMS

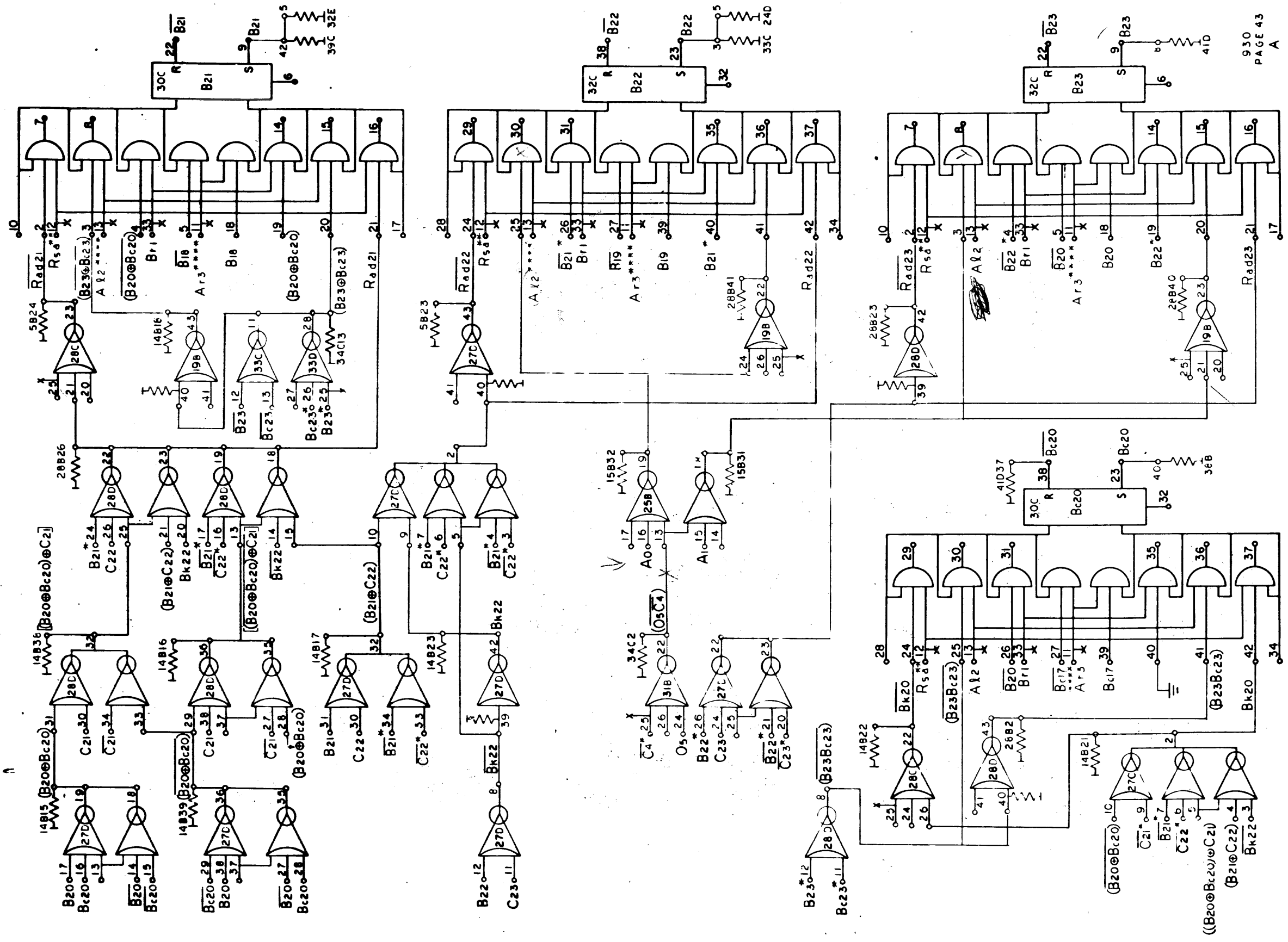
DIAGRAM, LOGIC  
COMPUTER

930	106407	L
SCALE	DO NOT SCALE DRAWING	SHEET 22 OF 66

106407







930  
PAGE 43  
A

REVISIONS				106407	A
REV	DESCRIPTION	CHK	DATE	APPROVED	
A	RELEASED TO UFG		7/7/64		

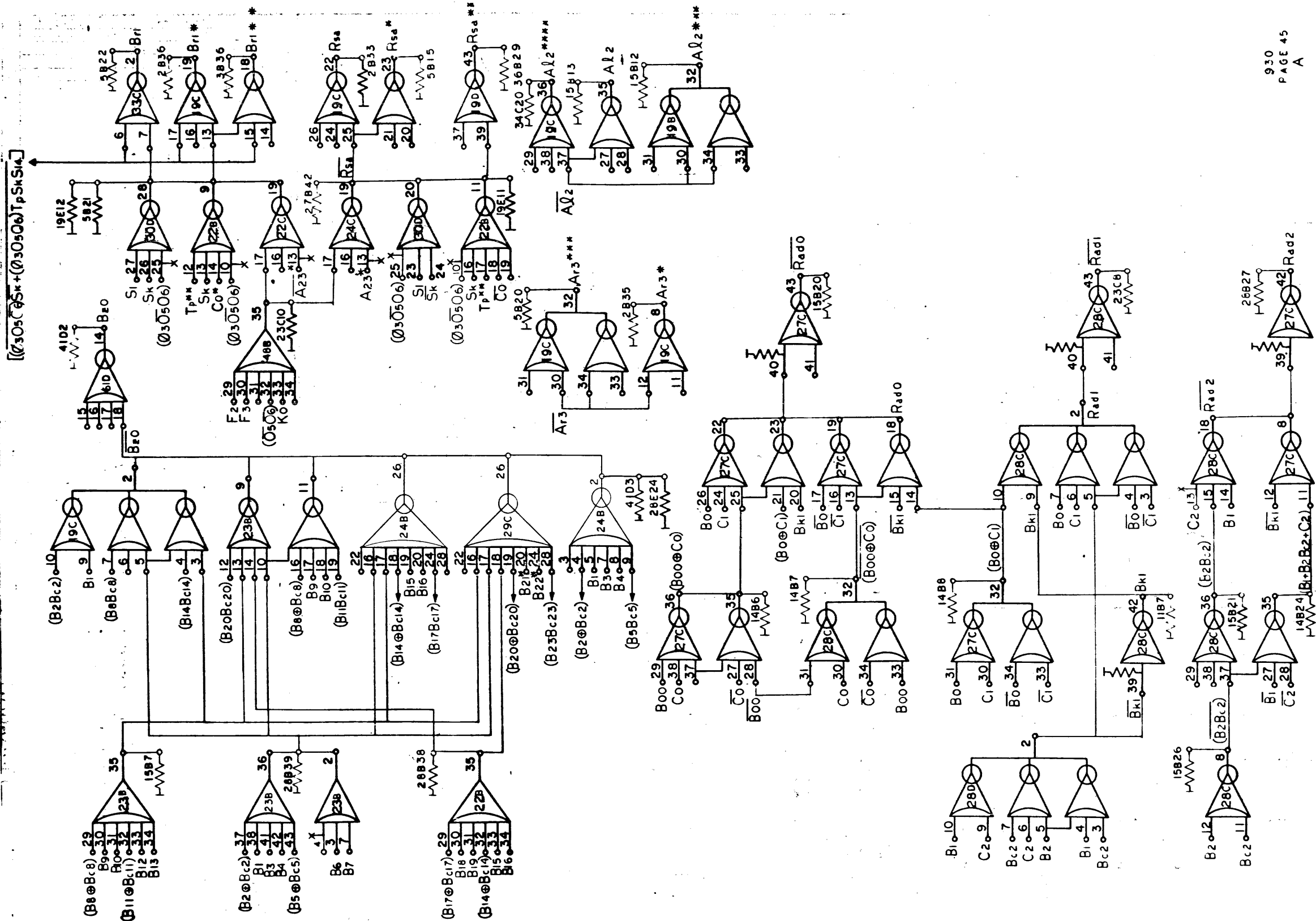
DIAGRAM, LOGIC COMPUTER			
930	DWG NO	106407	CHANGE LETTER
			A

106407/A









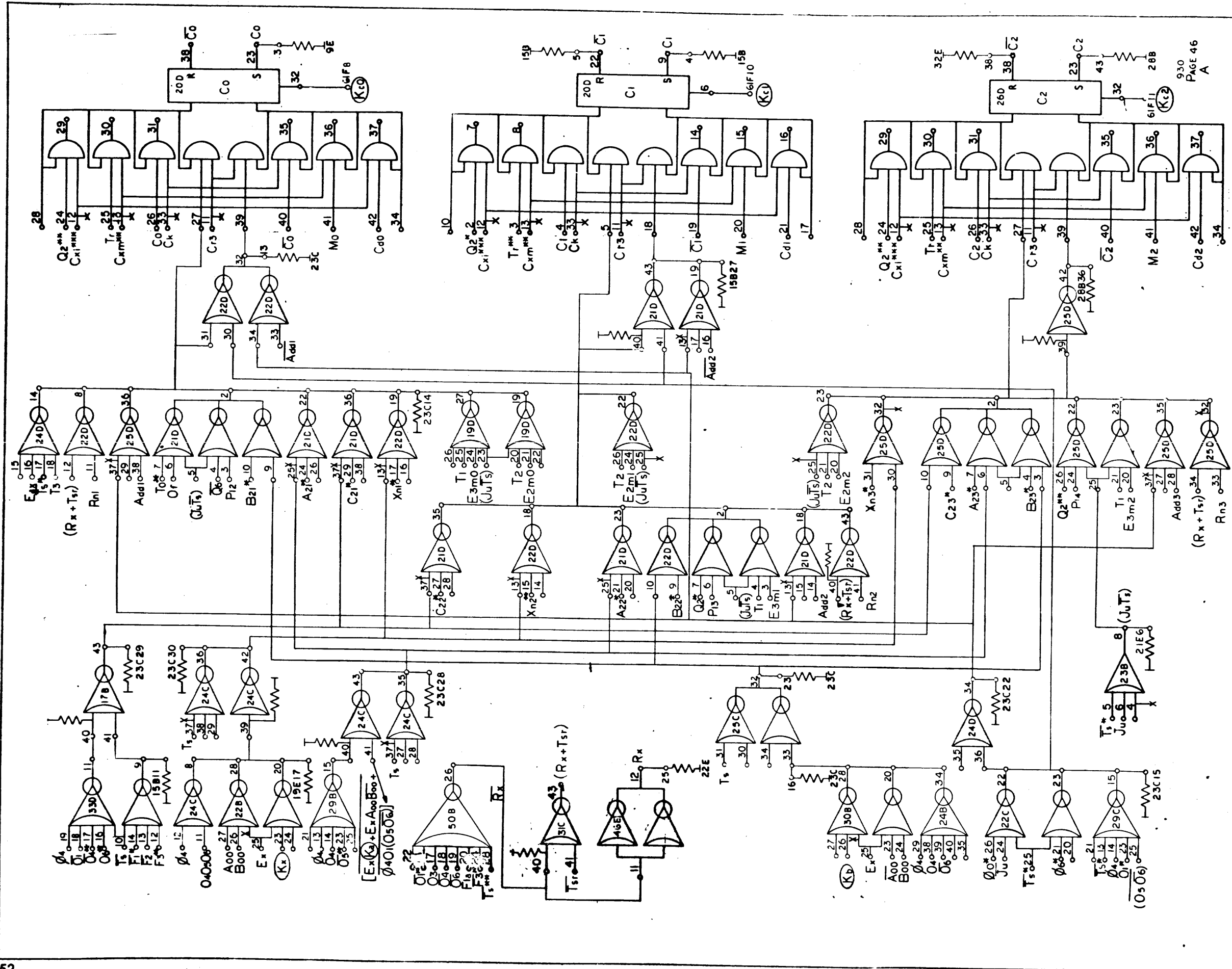
930  
PAGE 45  
A

REVISIONS			
REV	DESCRIPTION	CHK	DATE
A	RELEASED TO MFG		7/1/64

106407  
A

TITLE <b>DIAGRAM, LOGIC COMPUTER</b>			
930	SIZE	DWG NO 106407	CHANGE LETTER A
SCALE	DO NOT SCALE DRAWING	SHEET	

106407A



REVISIONS			
REV.	DESCRIPTION	CHE.	DATE
A	RELEASED TO MFG		8/16/68

106407 A

930  
PAGE 46  
A

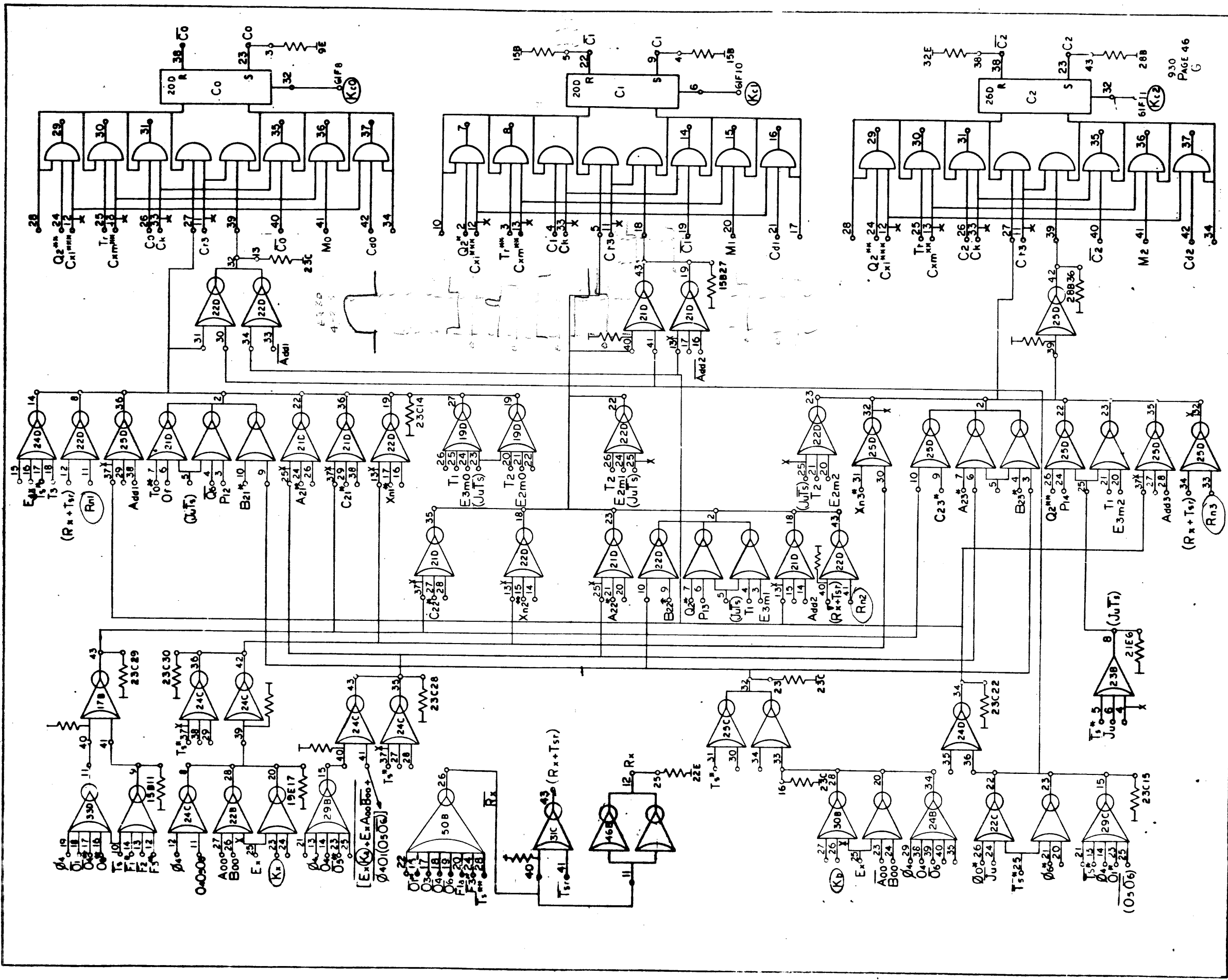
106407/A

**SDB**  
SCIENTIFIC DATA SYSTEMS  
SANTA ANA, CALIFORNIA

TITLE  
**DIAGRAM, LOGIC COMPUTER**


930	106407	930	A
SCALE	DO NOT SCALE DRAWING	SHEET	

REV		DESCRIPTION		DATE		APPROVED	
A		RELEASED TO A-1					
B		SEE REV E0					
G		SEE REV E0					



930  
PAGE 46  
G

106407/G

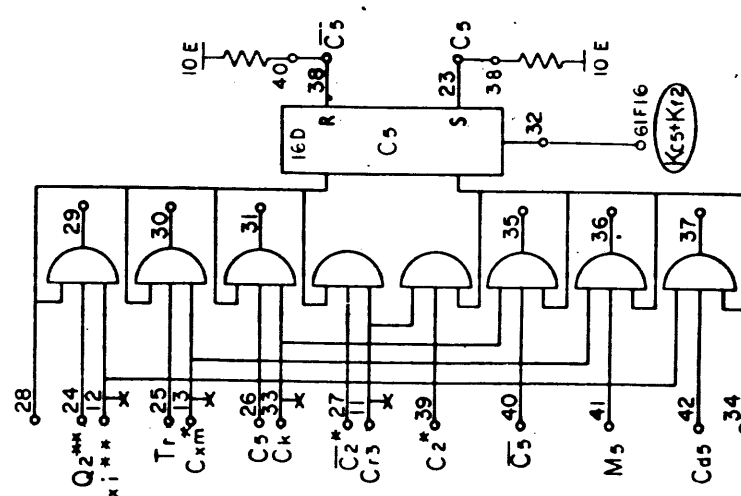
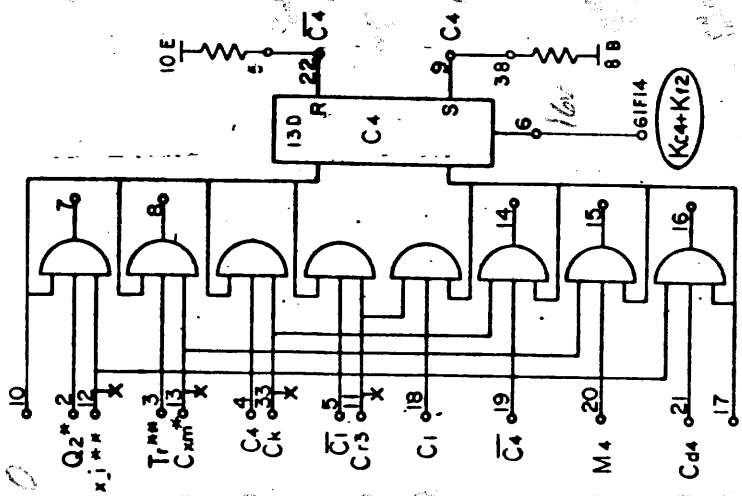
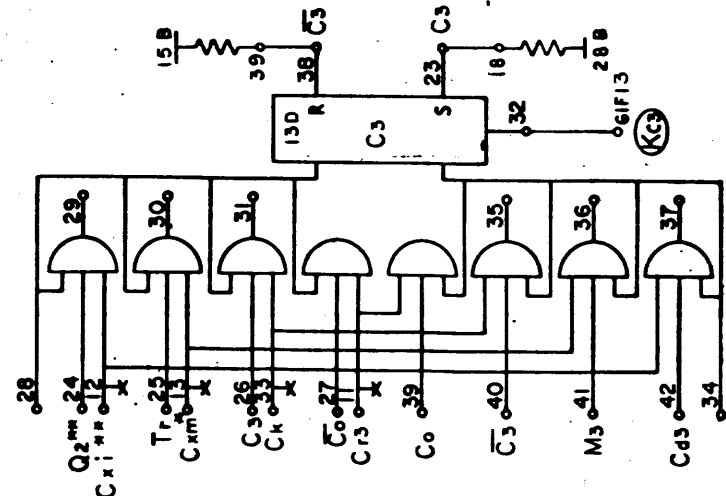
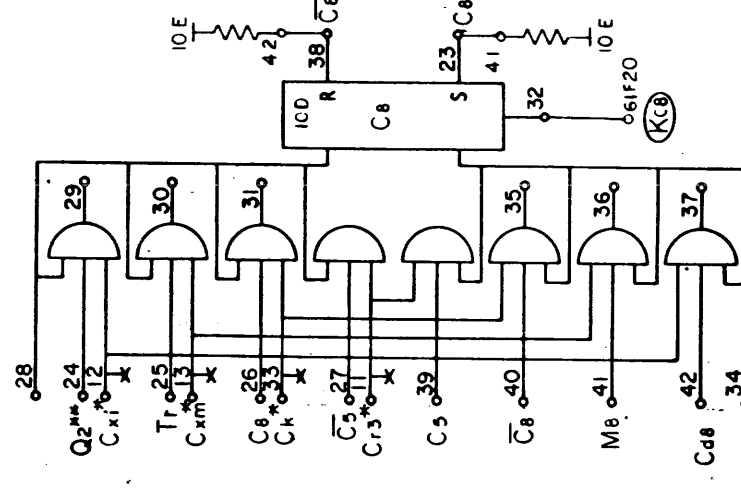
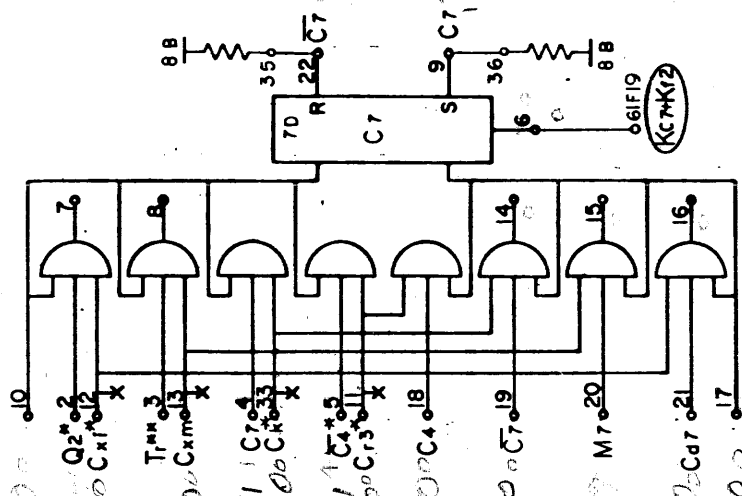
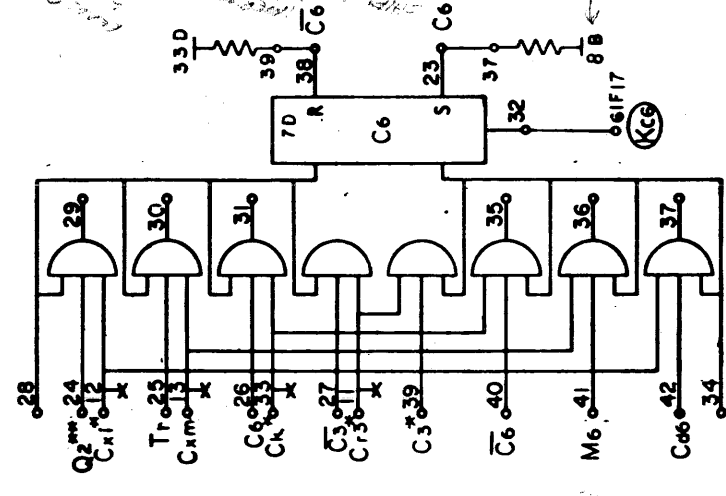
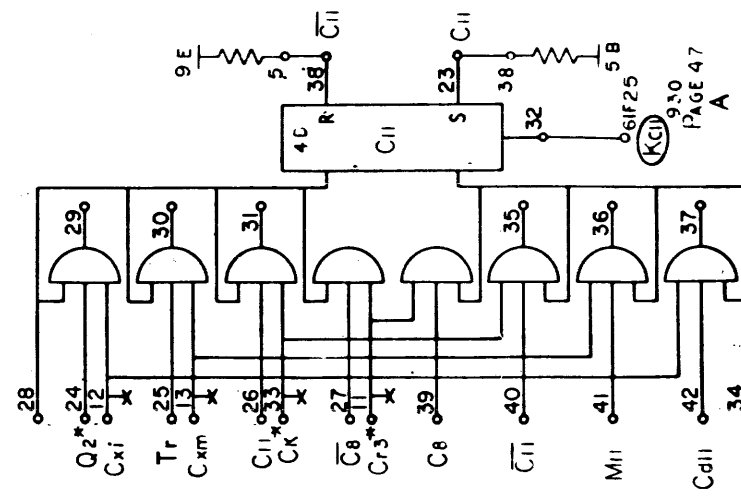
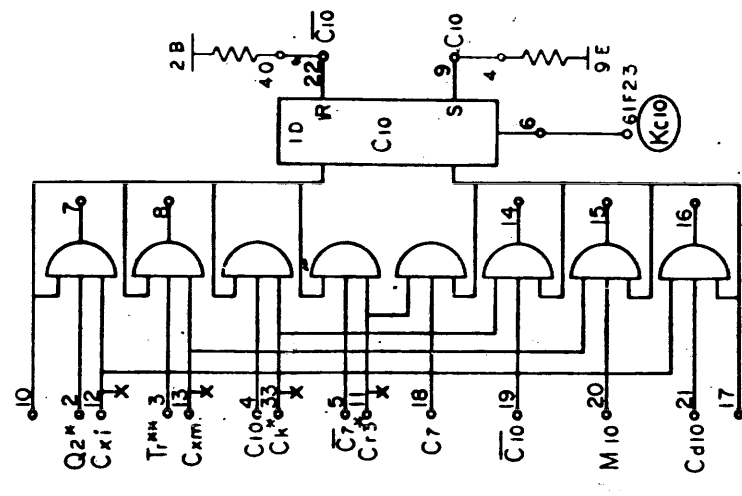
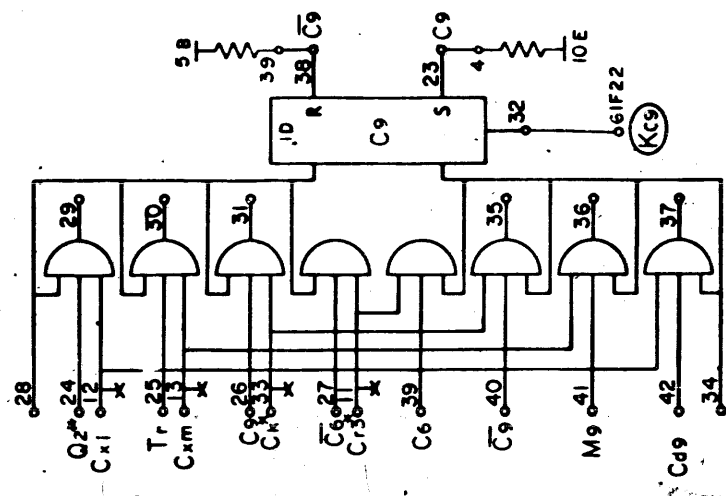


DIAGRAM, LOGIC  
COMPUTER

930	106407	G
SCALE	DO NOT SCALE DRAWING	INCHES

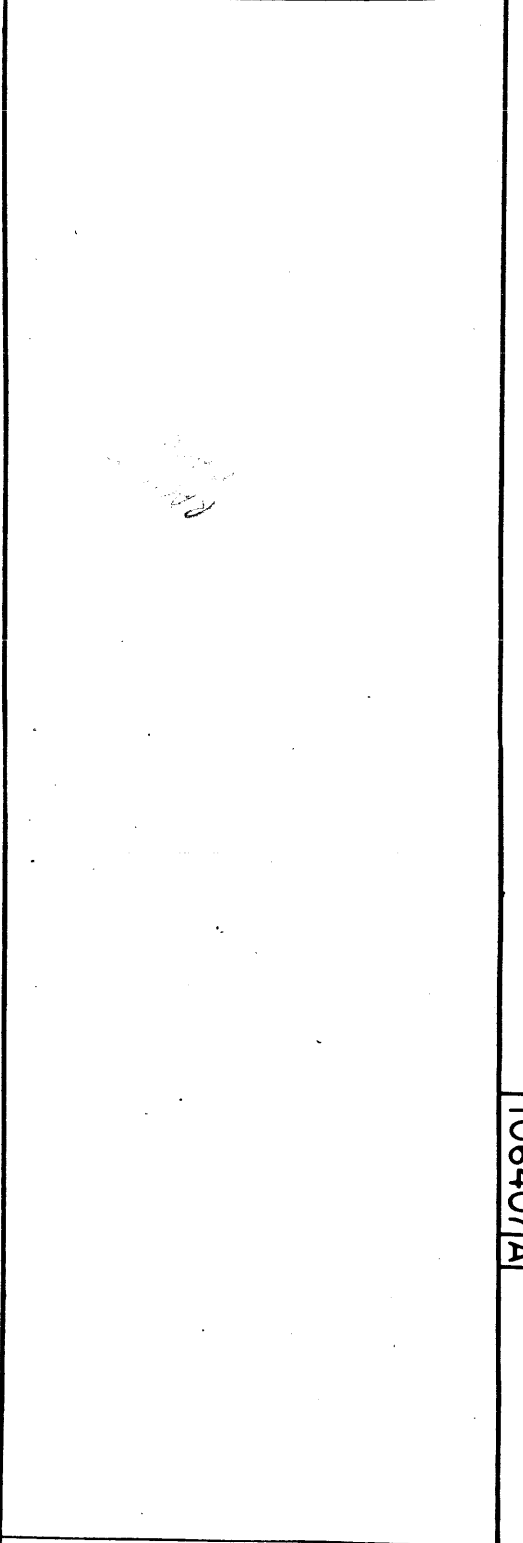






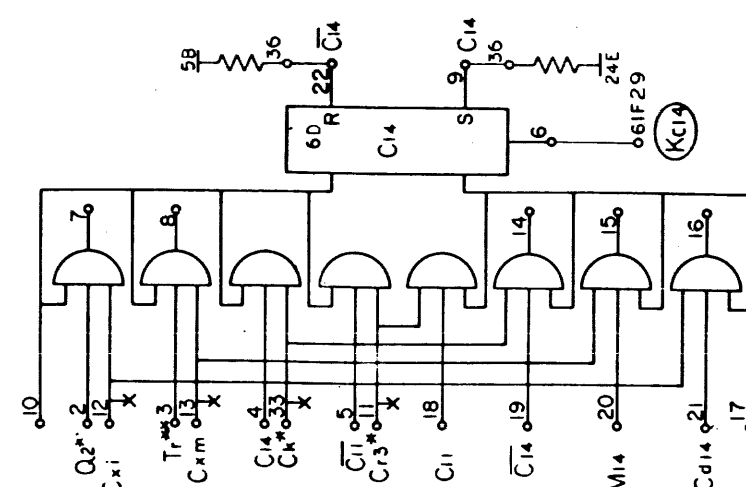
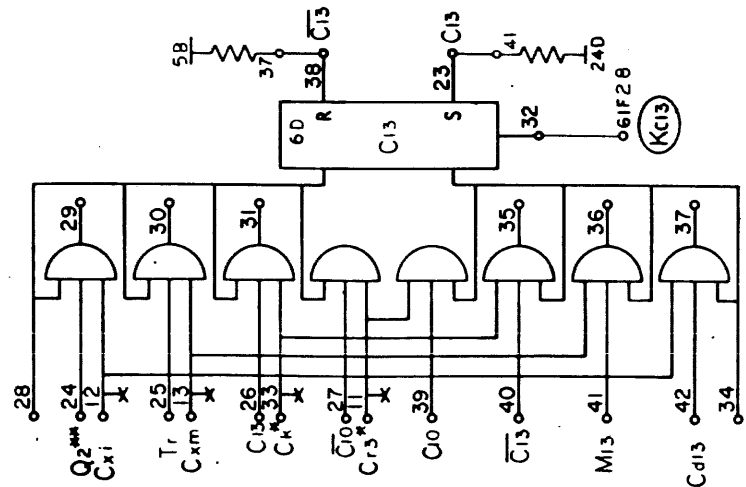
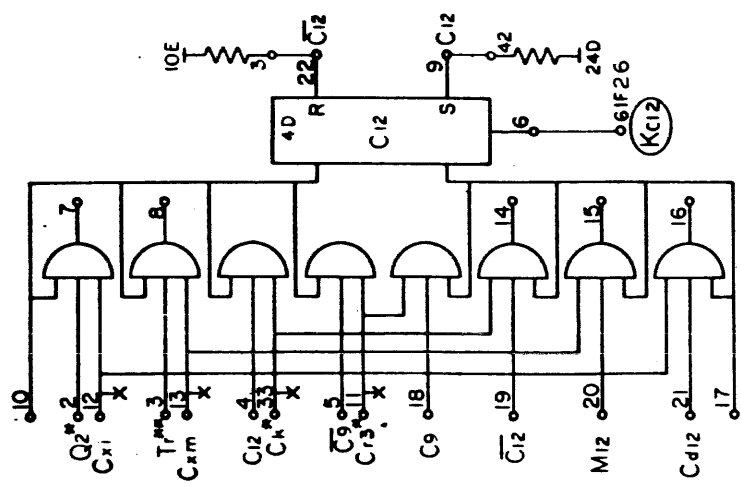
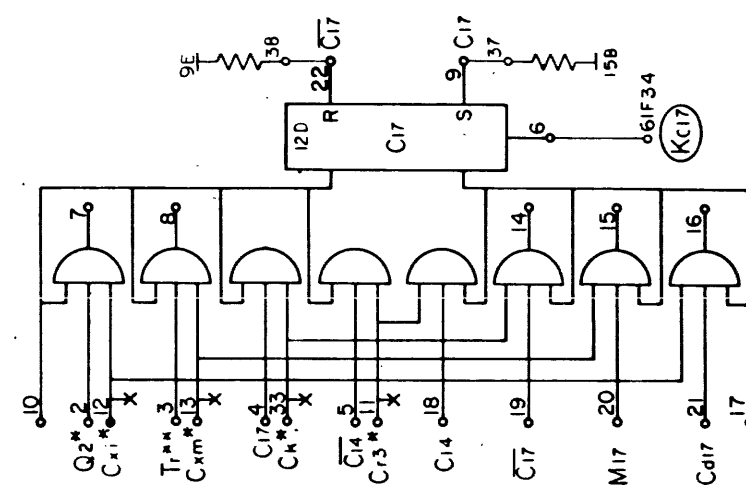
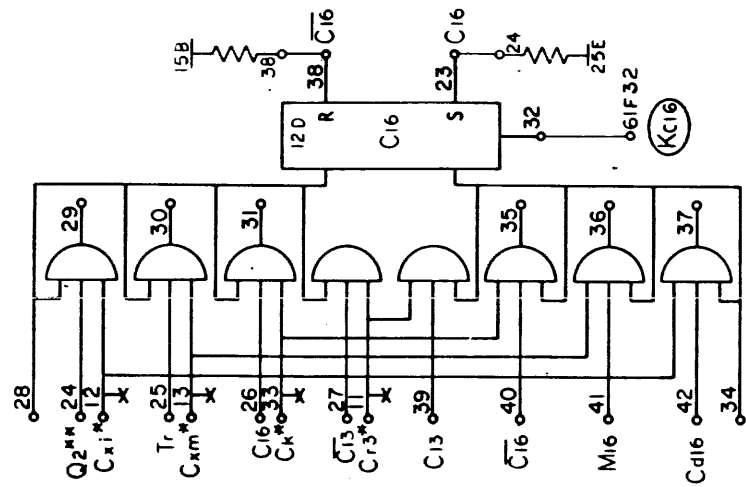
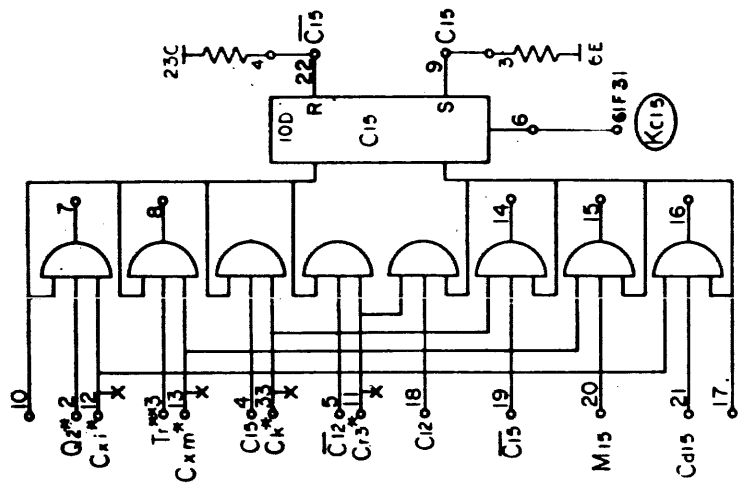
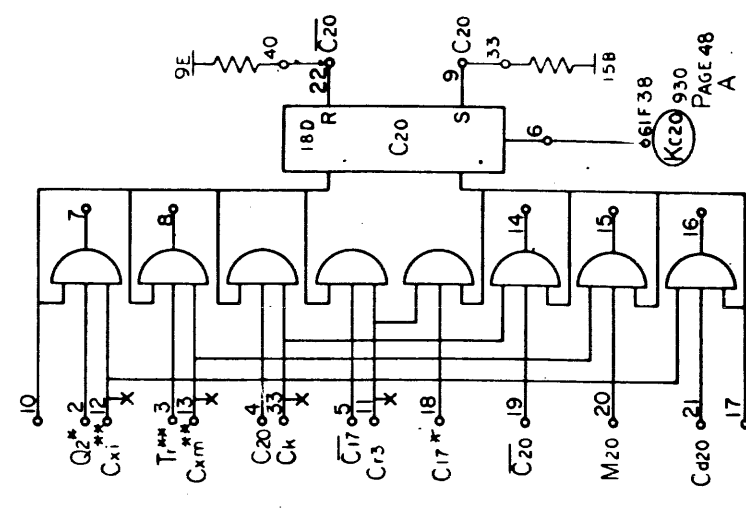
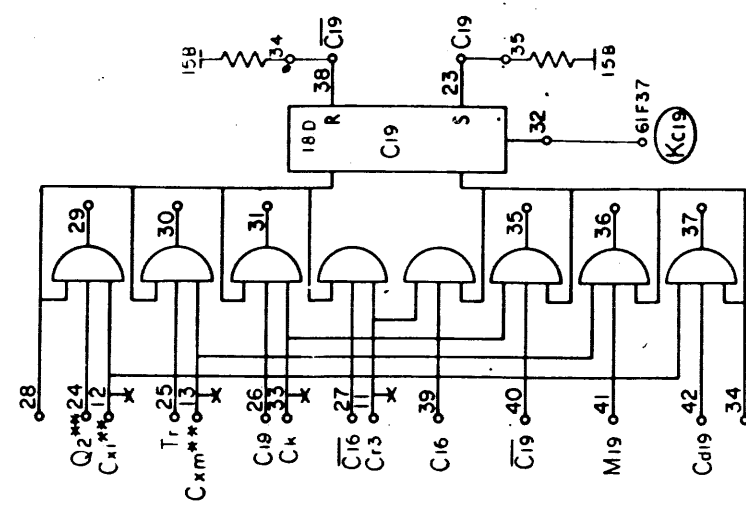
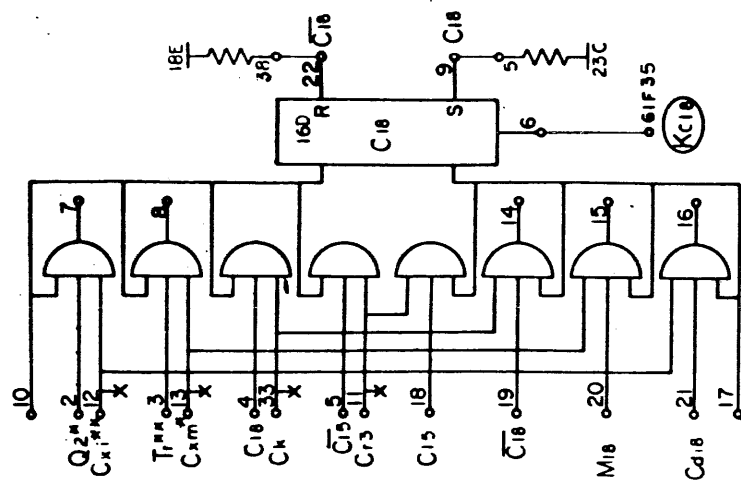
SICK

REVISIONS				106407 A
REV.	DESCRIPTION	CHK.	DATE	APPROVED
A	RELEASED TO UFG	57	7/1/68	[Signature]



<b>SDS</b> SCIENTIFIC DATA SYSTEMS SANTA MONICA, CALIFORNIA	
TITLE <b>DIAGRAM, LOGIC COMPUTER</b>	
930	106407
SCALE DO NOT SCALE DRAWING	CHANGED LITERATURE A

106407A



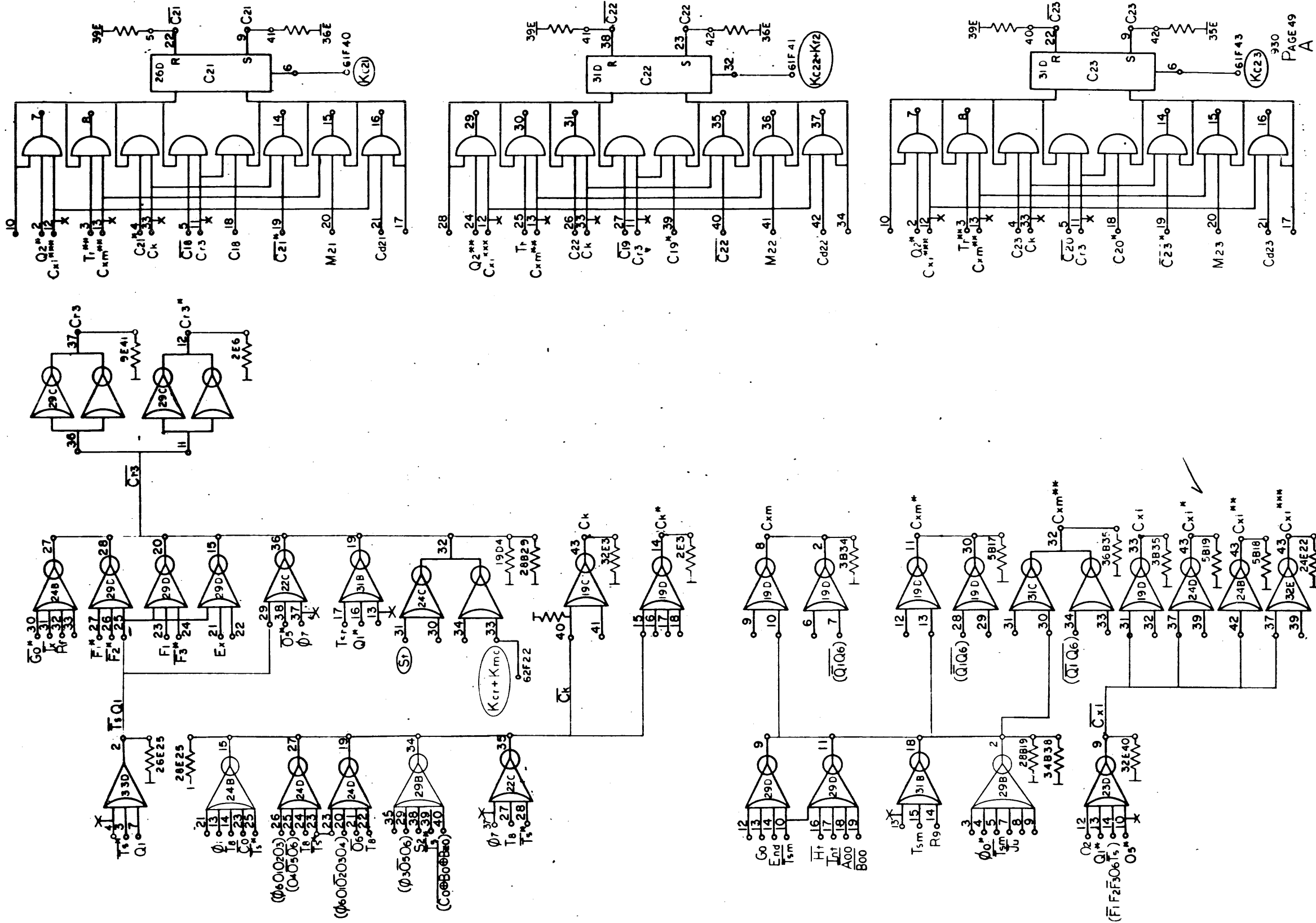
REVISIONS				106407	A
REV	DESCRIPTION	CHK	DATE	APPROVED	
A	RELEASED TO MFG				

**SDS**  
SCIENTIFIC DATA SYSTEMS  
SANTA MONICA, CALIFORNIA

TITLE  
**DIAGRAM, LOGIC COMPUTER**

937	DWS NO.	106407	DRAWING LETTER
SCALE	DO NOT SCALE DRAWING	SHEET	A

106407/A



REVISIONS				106407	A
REV.	DESCRIPTION	CHK.	DATE	APPROVED	
A	RELEASED FOR FAB		11		

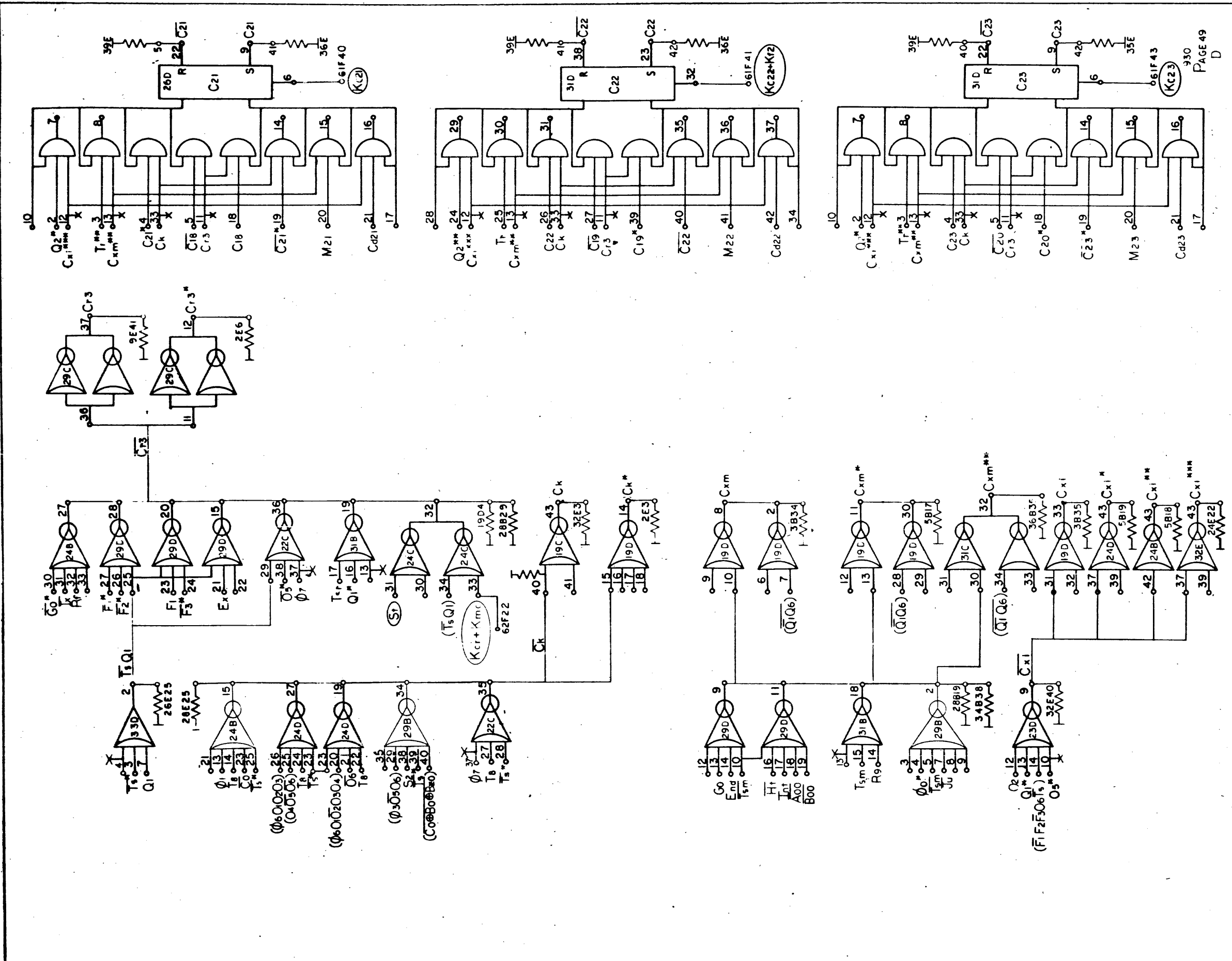
PAGE 49  
330  
A

**SDS**  
SCIENTIFIC DATA SYSTEMS  
SANTA MONICA, CALIFORNIA

TITLE  
**DIAGRAM, LOGIC COMPUTER**

930	DWS NO. 106407	DRAWN BY A	CHECKED BY
SCALE		DO NOT SCALE DRAWING SHEET	

106407A



REVISIONS			
REV	DESCRIPTION	CHK	DATE
A			
B	SEE REV E0		
D	SEE REV E0		

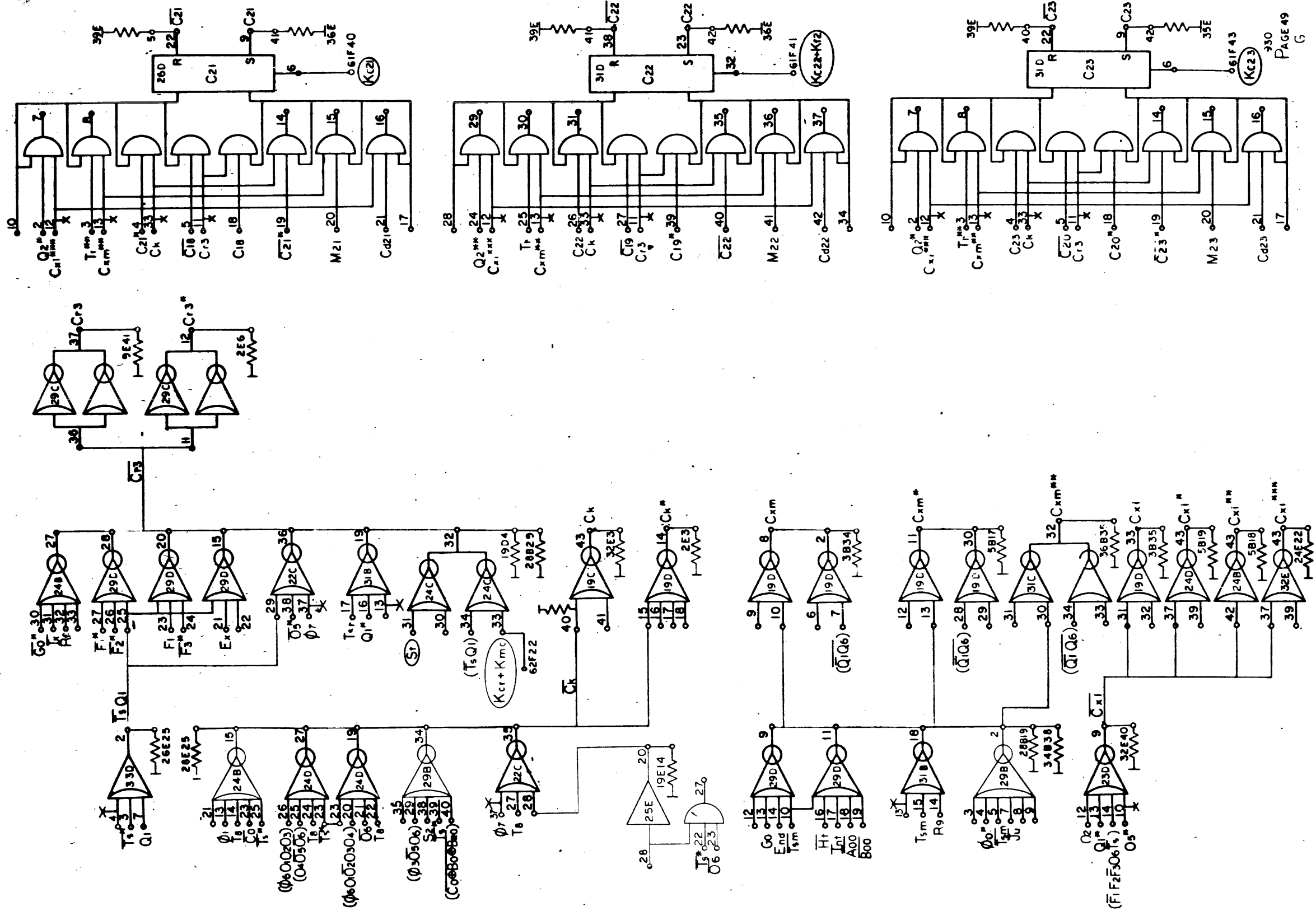
106407 D

**SDS**  
SACRAMENTO, CALIFORNIA

TITLE  
**DIAGRAM, LOGIC  
COMPUTER**

930	106407	D
SCALE: DO NOT SCALE DRAWING		

106407/D



PAGE 49  
G

REVISIONS				
REV	DESCRIPTION	CHK	DATE	APPROVED
A	SEE REV E			
B	SEE REV E			
D	SEE REV E			
G	SEE REV E			

**SDB**  
SCIENTIFIC DATA SYSTEMS  
SANTA MONICA, CALIFORNIA

TITLE  
**DIAGRAM, LOGIC COMPUTER**

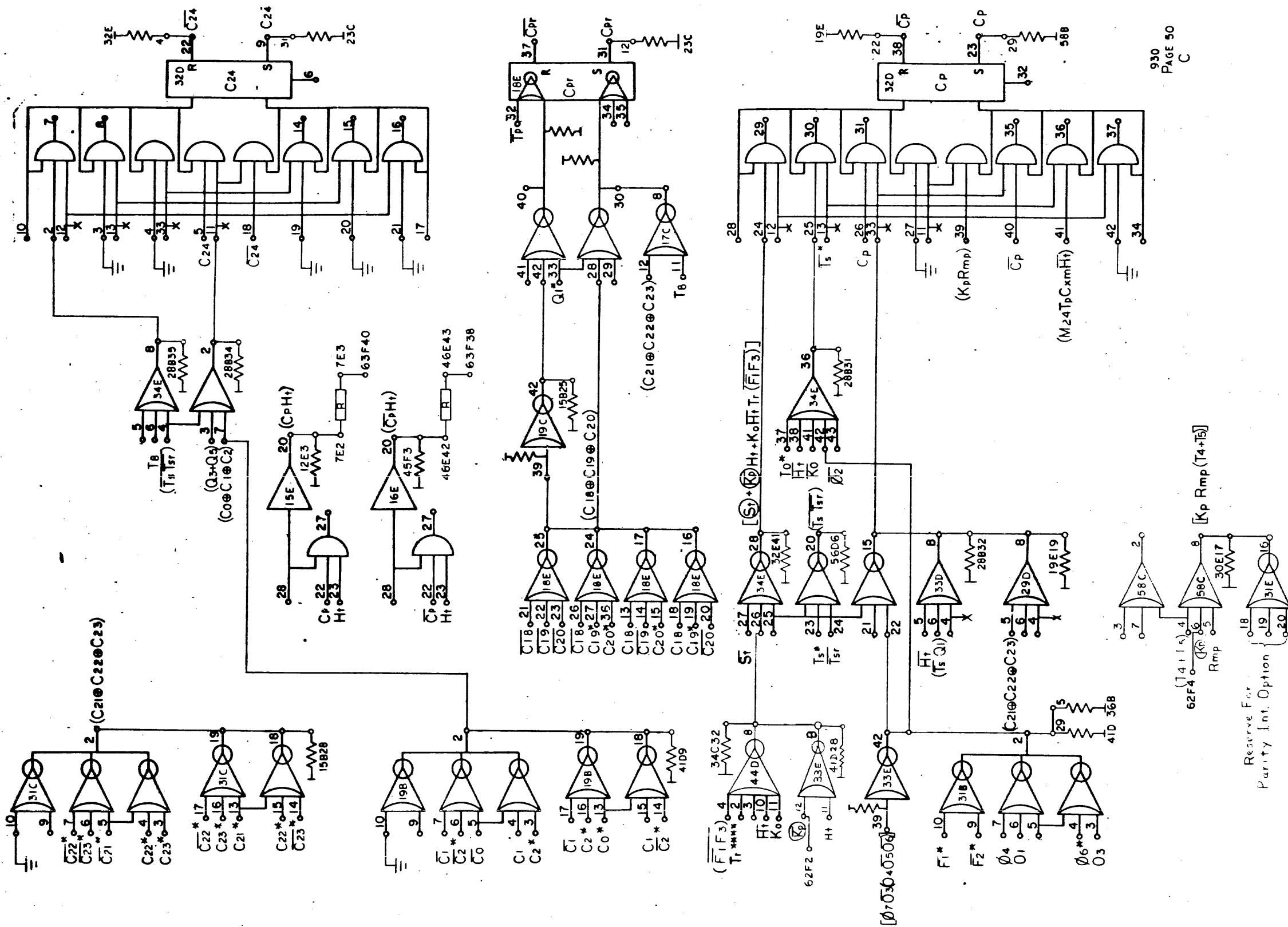
930	106407	G
-----	--------	---

SCALE DO NOT SCALE DRAWING SHEET

106407/G







930 PAGE 50  
C

REVISIONS				106407	C
REV	DESCRIPTION	CHK	DATE	APPROVED	
A	REDESIGNED				
	SEE REV E0				

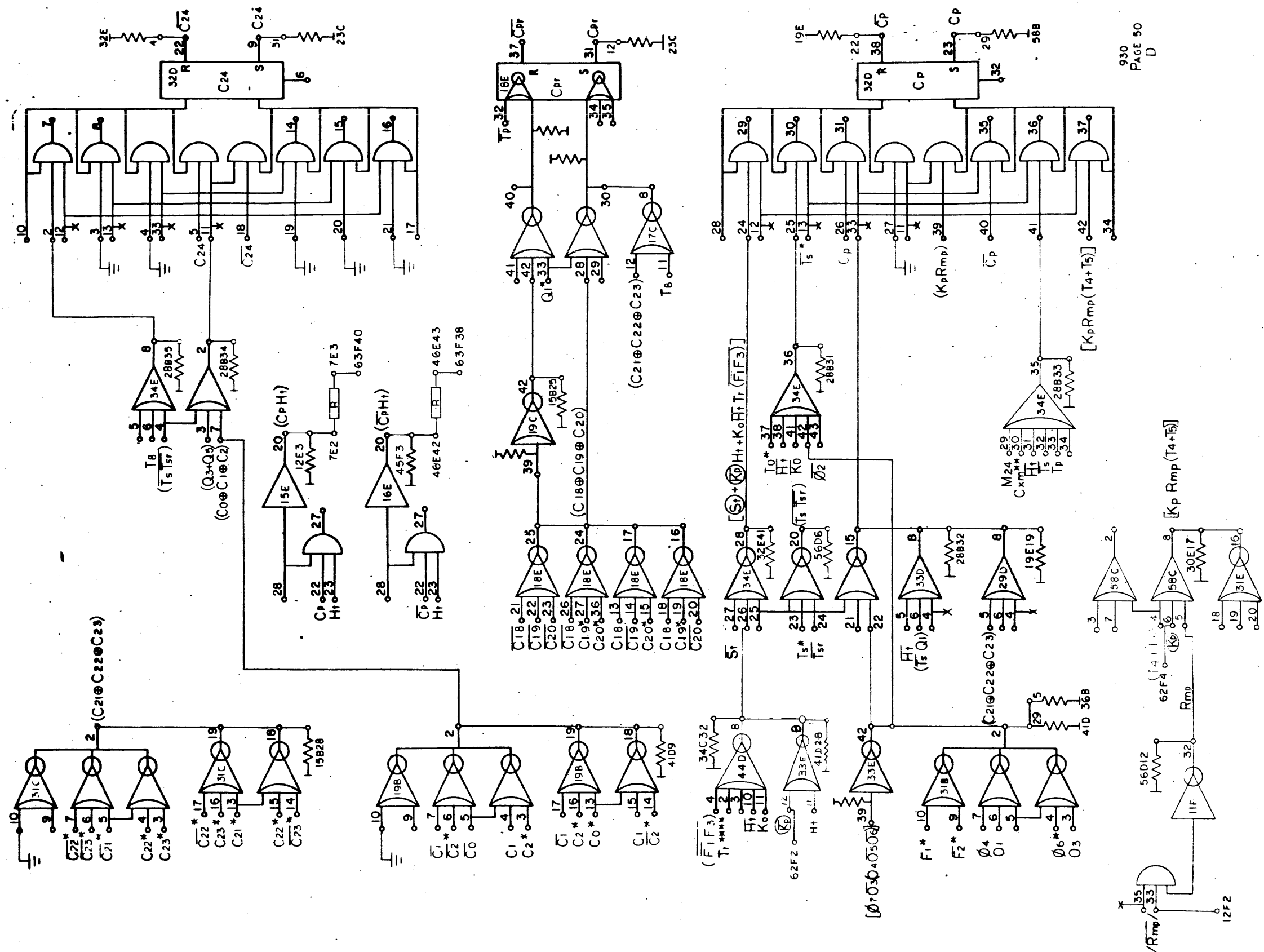
**SDS**  
SCIENTIFIC DATA SYSTEMS  
SANTA MONICA, CALIFORNIA

TITLE: **DIAGRAM, LOGIC COMPUTER**

930	DWG. NO.	106407	REVISED BY	C
SCALE	DO NOT SCALE DRAWING	SHEET	52	

106407/c





930  
PAGE 50  
D

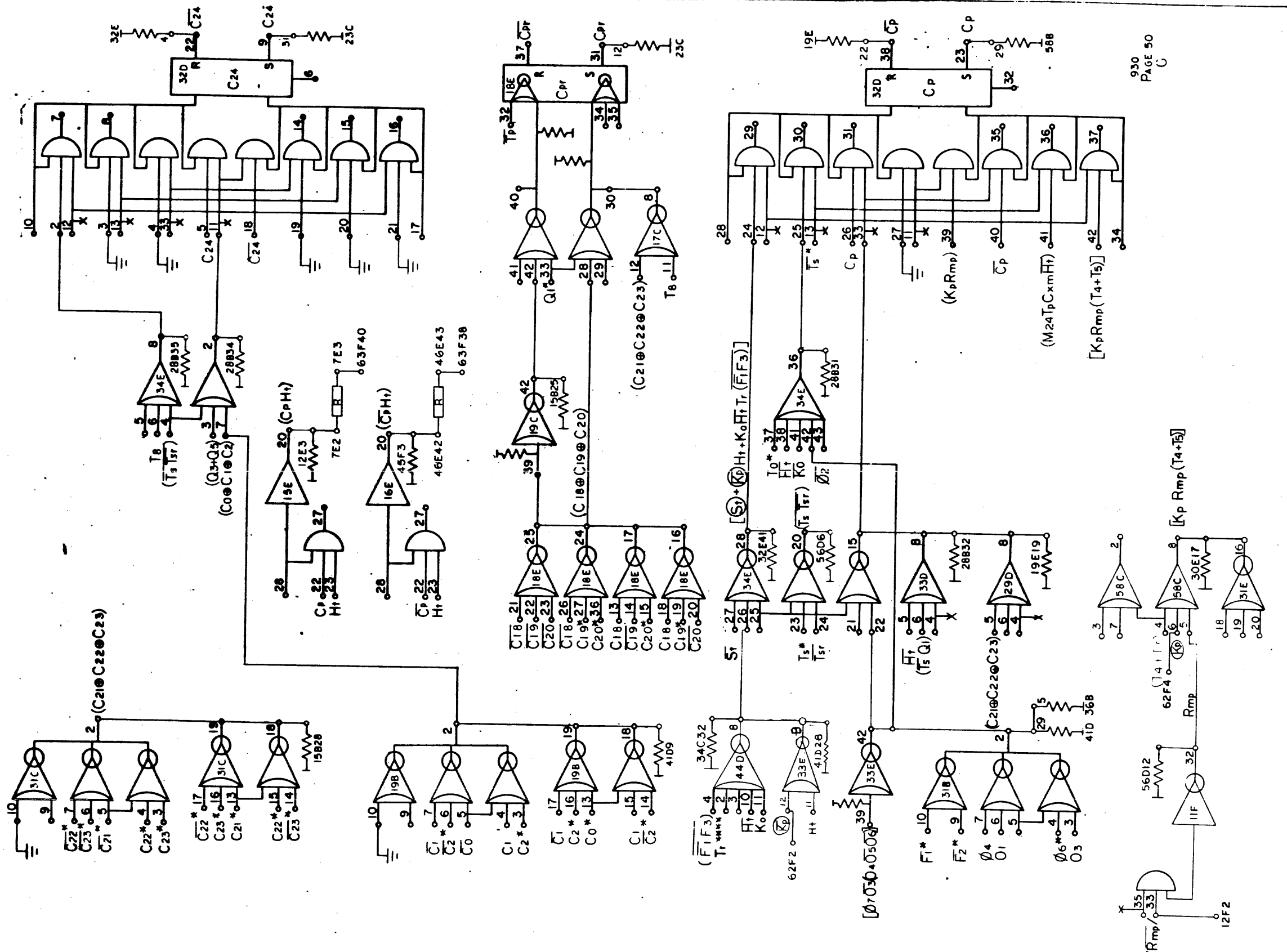
REVISIONS				106407	D
REV	DESCRIPTION	CHK	DATE	APPROVED	
A	RELEASED TO FIELD		2/2/50		
B	SEE REV E0				
C	SEE REV E0				

**SDS SYSTEMS**  
 SCIENTIFIC DATA SYSTEMS  
 SANTA MONICA, CALIFORNIA

**DIAGRAM, LOGIC COMPUTER**

930	106407	D
SCALE	DO NOT SCALE DRAWING	SHEET 50

106407D



930  
PAGE 50  
C

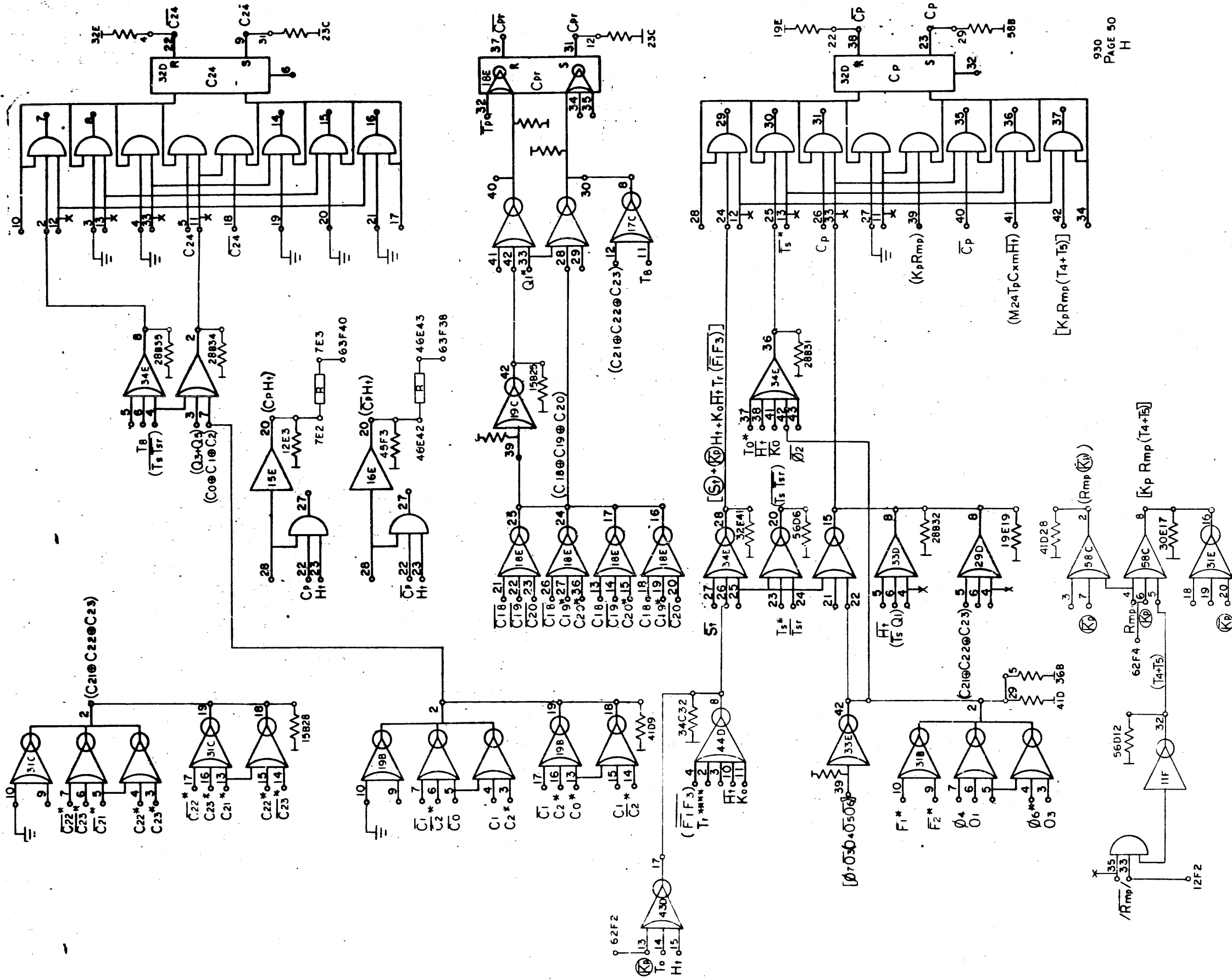
REVISIONS		106407		3
REV	DESCRIPTION	DATE	APPROVED	
A	RELEASED TO JEPG			
B	SEE REV E0			
D	SEE REV E0			
G	SEE REV E0			

**SDS**  
SCIENTIFIC DATA SYSTEMS  
SANTA MONICA, CALIFORNIA

TITLE  
DIAGRAM, LOGIC  
COMPUTER

930	106407	G
SCALE	DO NOT SCALE DRAWING	SHEET 50

106407/G



930  
PAGE 50  
H

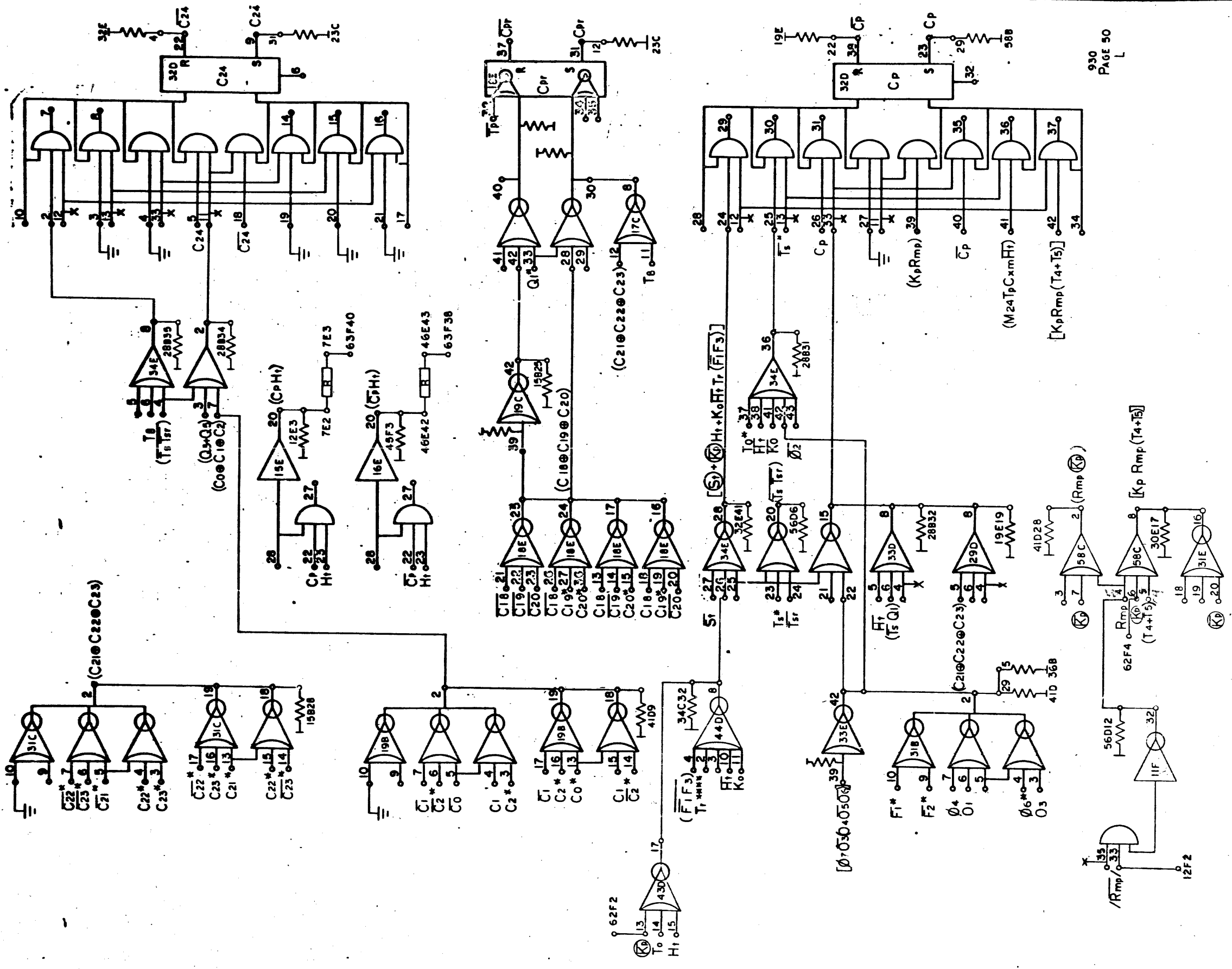
REVISIONS				106407	H
REV	DESCRIPTION	CHK	DATE	APPROVED	
A	RELEASED TO MFG		5/22/68	JUNIOR	
C	SEE REV E0		6/10/68	WJ	
D	SEE REV E0		6/10/68	WJ	
G	SEE REV E0		6/10/68	WJ	
H	SEE REV E0		6/10/68	WJ	

**SDB**  
SANTA BARBARA, CALIFORNIA

DIAGRAM, LOGIC  
COMPUTER

930	106407	H
SCALE: DO NOT SCALE DRAWING		
SHEET 50		

106407H



930  
PAGE 50  
L

REVISIONS			
REV.	DESCRIPTION	DATE	APPROVED
A	RELEASED TO MFG	7/27	
C	SEE REV E0		
D	SEE REV E0		
G	SEE REV E0		
H	SEE REV E0		
L	SEE REV E.O.		

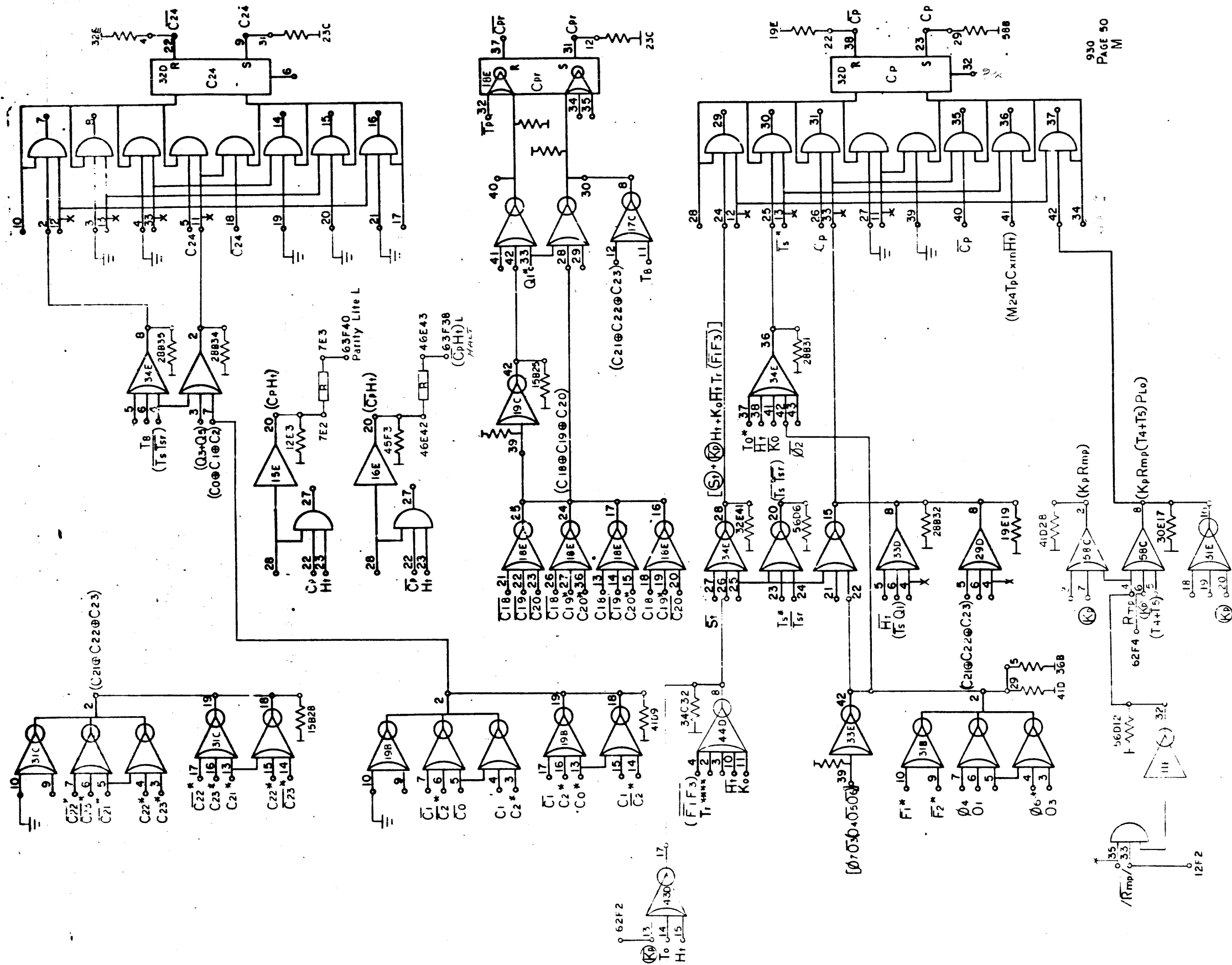
**EDS**  
Electronic Data Systems  
DATA - WORDS - CALCULATION

DIAGRAM, LOGIC  
COMPUTER

930	106407	L
-----	--------	---

SCALE: DO NOT SCALE DRAWING SHEET 30 OF 46

106407 L



930  
PAGE 50  
M

REV	DESCRIPTION	CHK	DATE	APPROVED
A	SEE REV E			
B	SEE REV E			
C	SEE REV E			
D	SEE REV E			
E	SEE REV E			
F	SEE REV E			
M	SEE REV E			

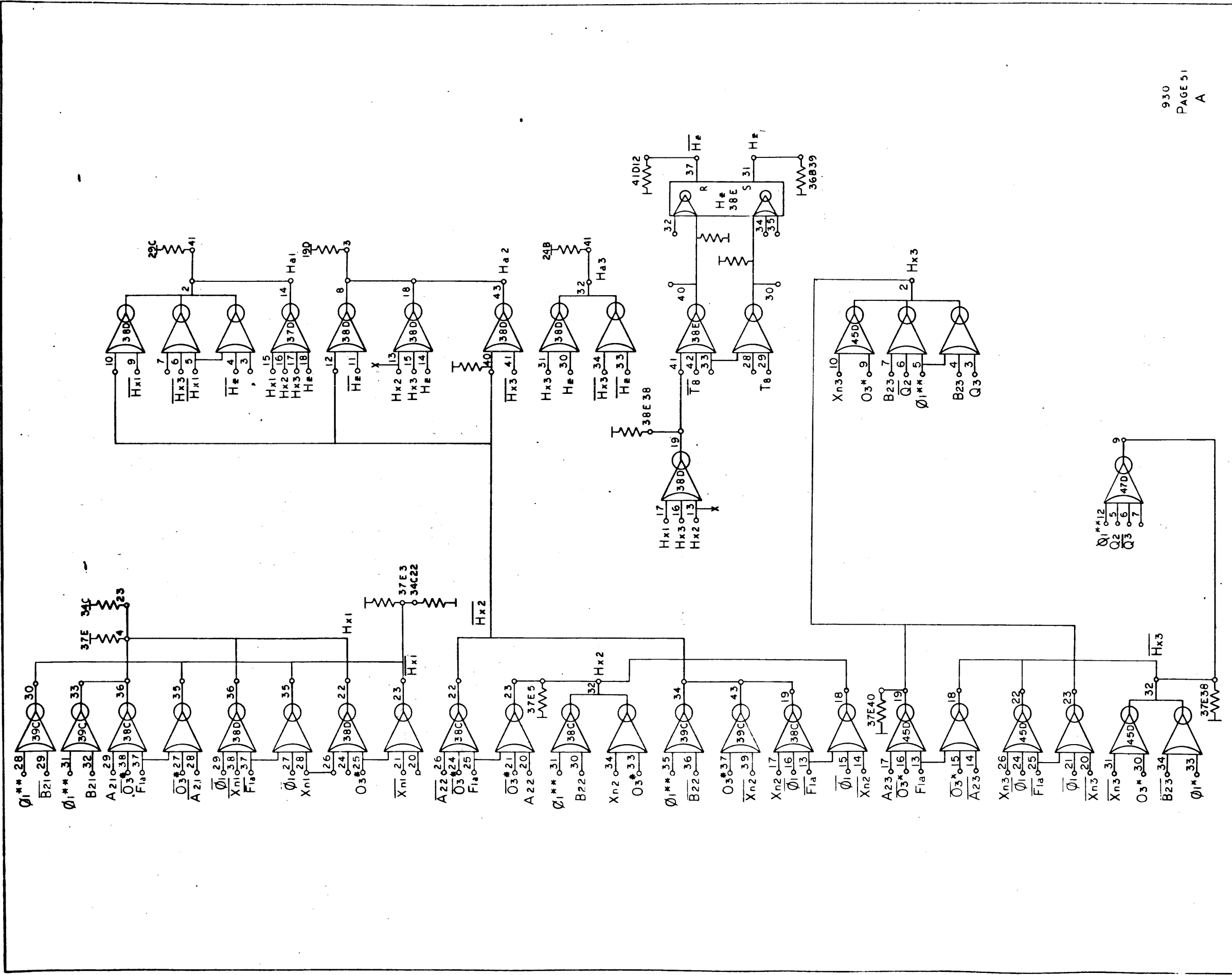
**SDB**  
SCIENTIFIC DATA SYSTEMS  
DATA SERVICE, CALIFORNIA

**DIAGRAM, LOGIC  
COMPUTER**

930	106407	M
-----	--------	---

SCALE: DO NOT SCALE DRAWING SHEET 30 OF 66



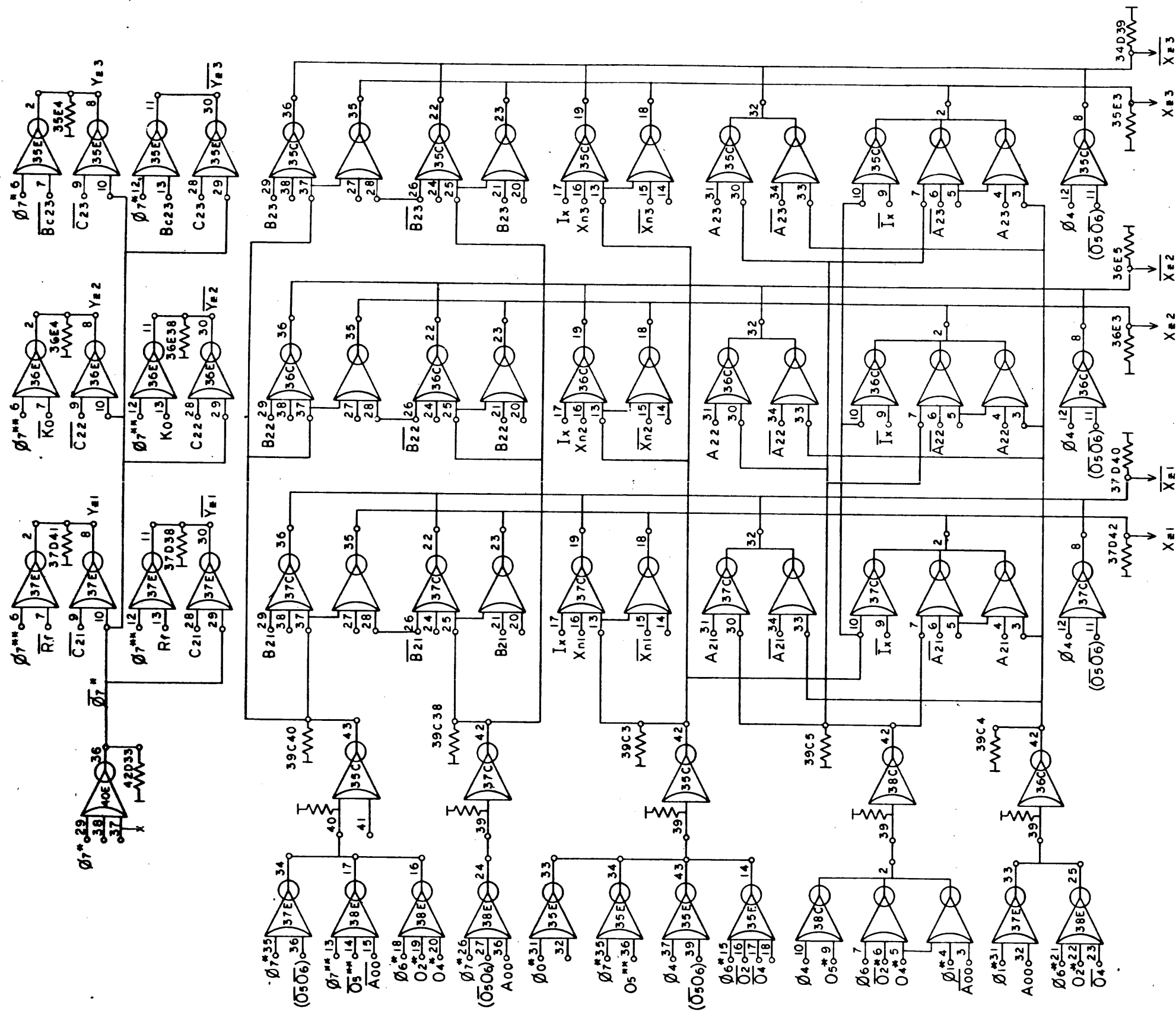


930  
PAGE 51  
A

REVISIONS				
REV	DESCRIPTION	CHK	DATE	APPROVED
A	RELEASED TO 106407		7/14	JMM/gh

<b>SDB</b> SCIENTIFIC DATA SYSTEMS SANTA MONICA, CALIFORNIA				
TITLE DIAGRAM, LOGIC COMPUTER				
330	REV	DWG NO.	106407	
SCALE	DO NOT SCALE DRAWING	SHEET	A	


106407A



930  
PAGE 52  
A

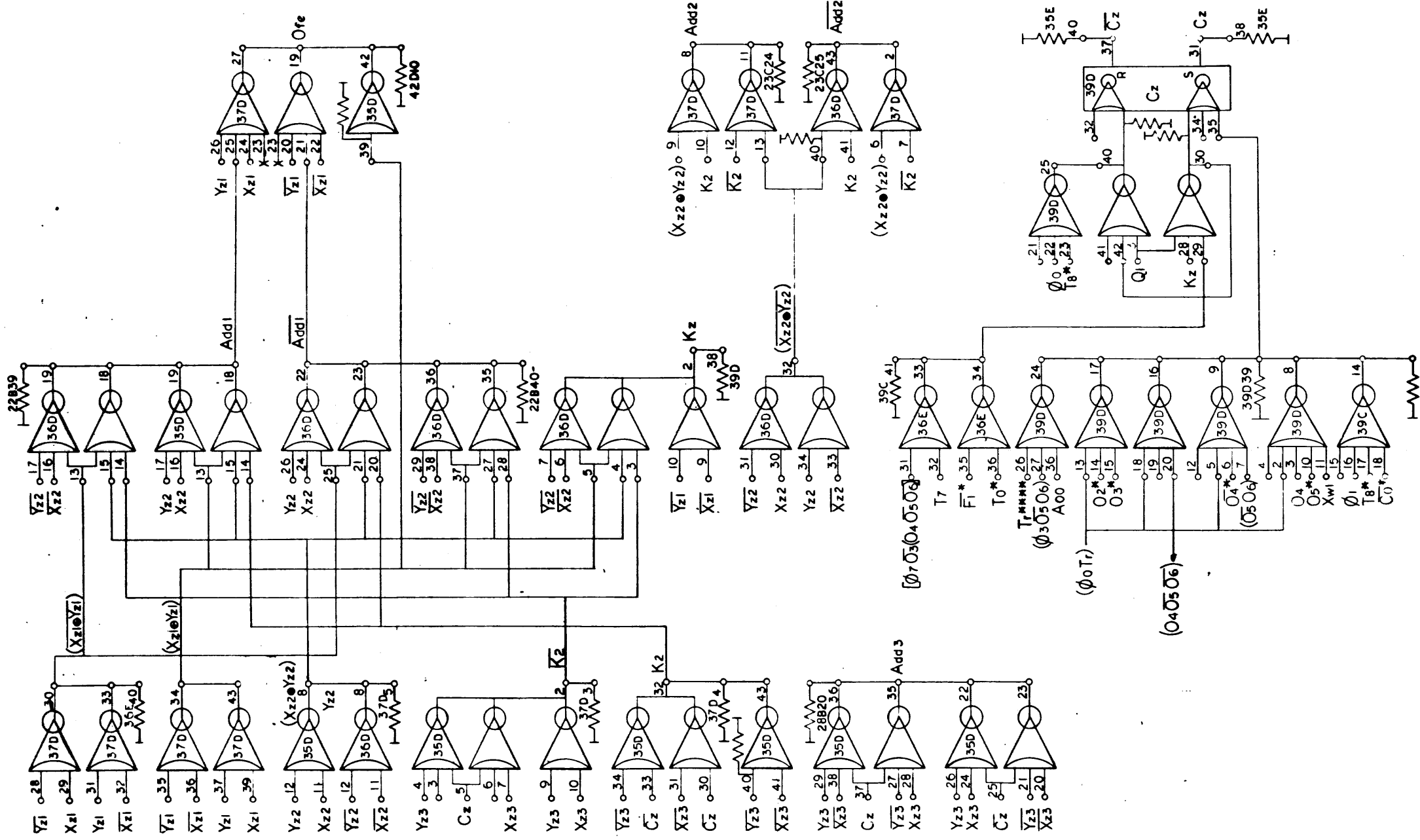
REVISIONS			
REV.	DESCRIPTION	CHK.	DATE
A	REVISION		

106407 A

  
 TITLE: **DIAGRAM, LOGIC COMPUTER**  
 SIZE: 930 DWS. NO. 106407 SHEET: A  
 SCALE: DO NOT SCALE DRAWING

106407A



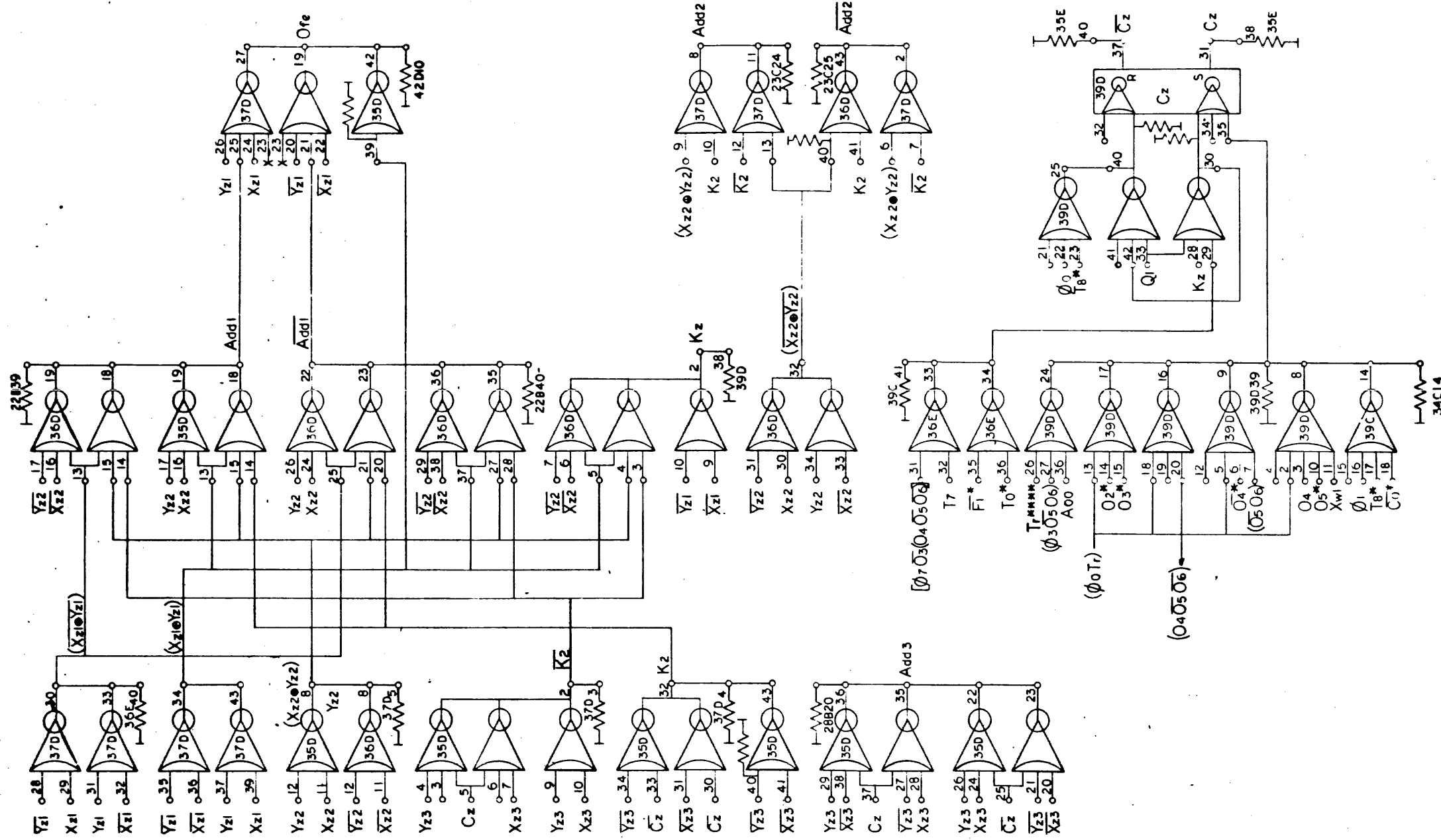


930  
PAGE 53  
A

REVISIONS				106407	A
REV	DESCRIPTION	CHK	DATE	APPROVED	
A	REV. BASED TO 789				

<b>SDB</b> ELECTRONIC DATA SYSTEMS SANTA MONICA, CALIFORNIA			
TITLE DIAGRAM, LOGIC COMPUTER			
930	REV.	DWG. NO. 106407	DESIGNED BY A
SCALE	DO NOT SCALE DRAWING		SHEET

106407/A



930  
PAGE 53  
B

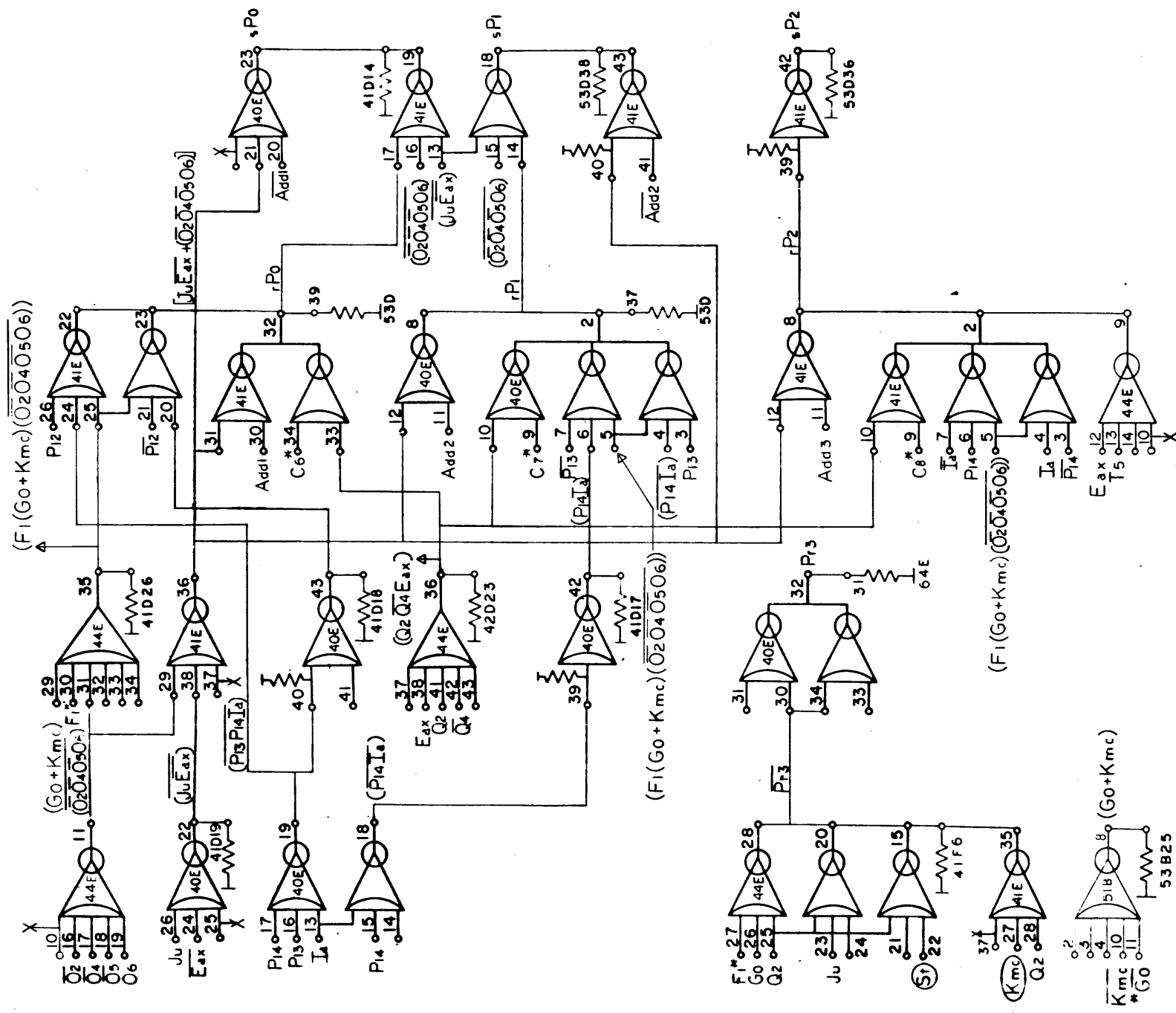
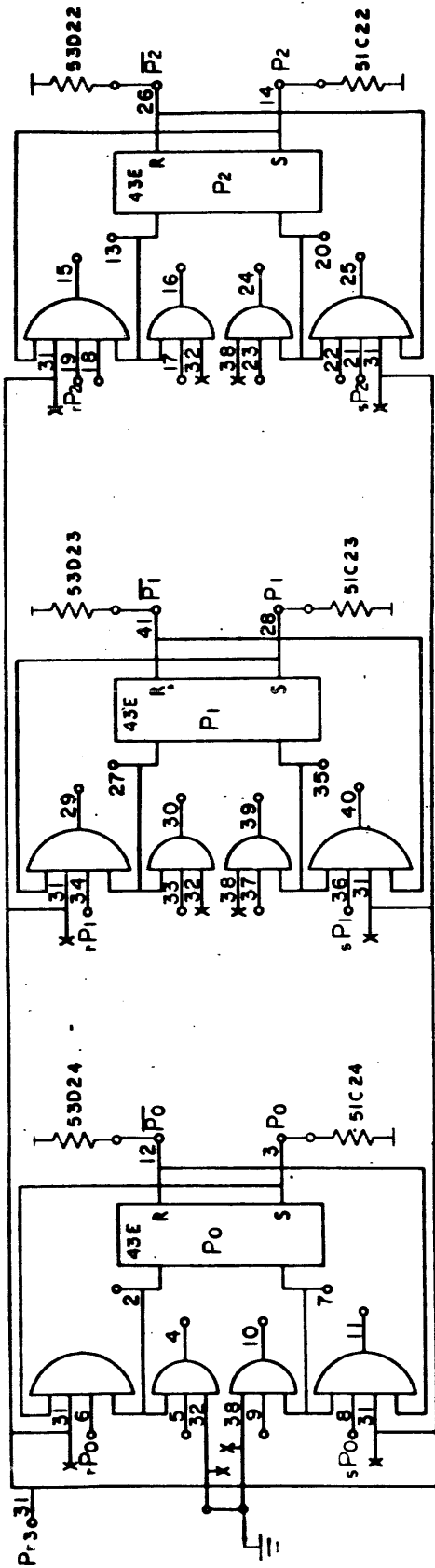
REVISIONS			106407		B
REV	DESCRIPTION	CHK	DATE	APPROV	
A	REVISION TO VEG	5/7	2/69		
B	SEE REV E0	5/7	2/69		

DIAGRAM, LOGIC  
COMPUTER

930	106407	B
DO NOT SCALE DRAWING		

106407/B



930  
PAGE 54  
A

REVISION		106407 A	
REV	DESCRIPTION	CHK	DATE
A	RELEASED		7/16/64

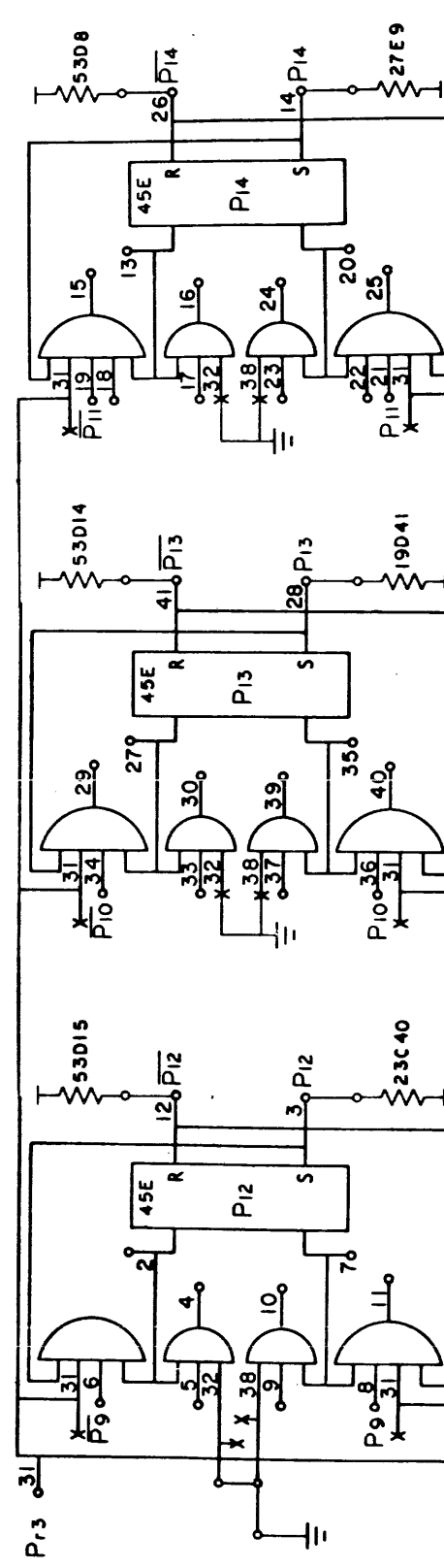
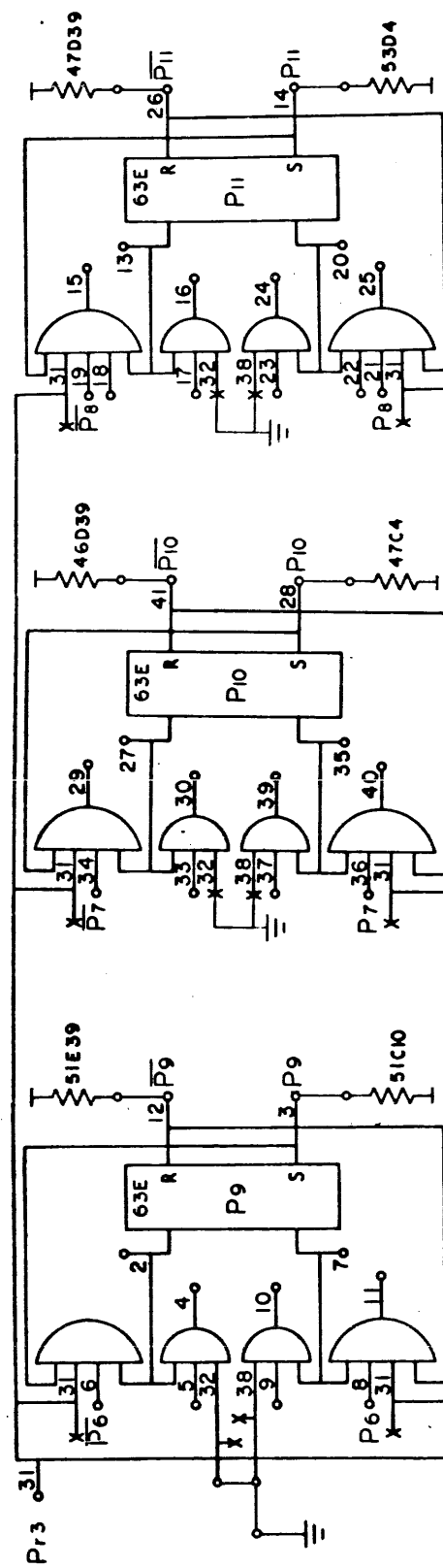
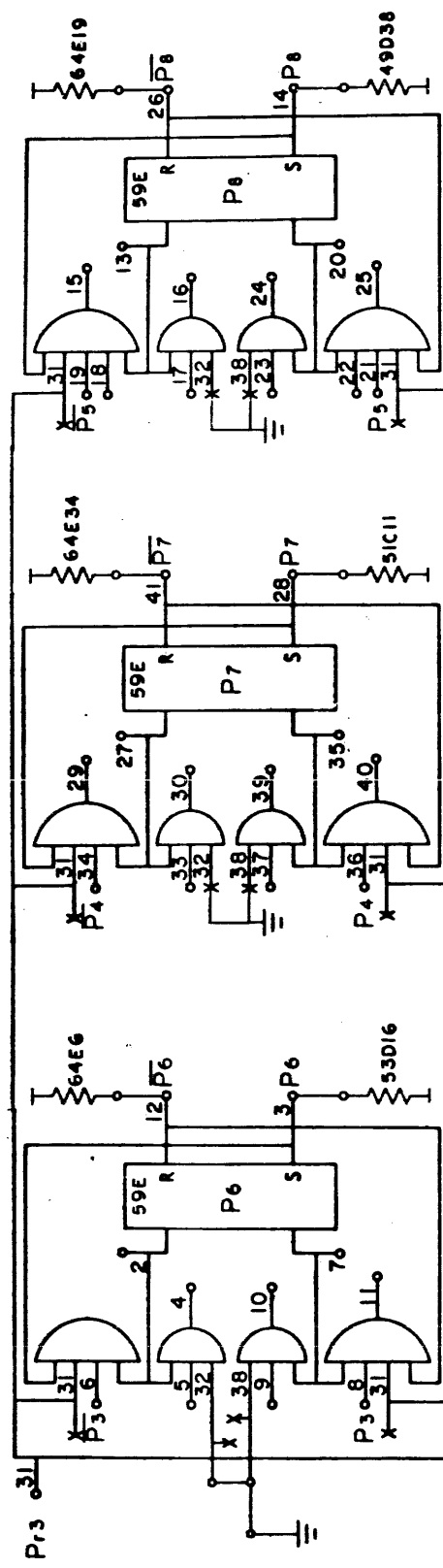
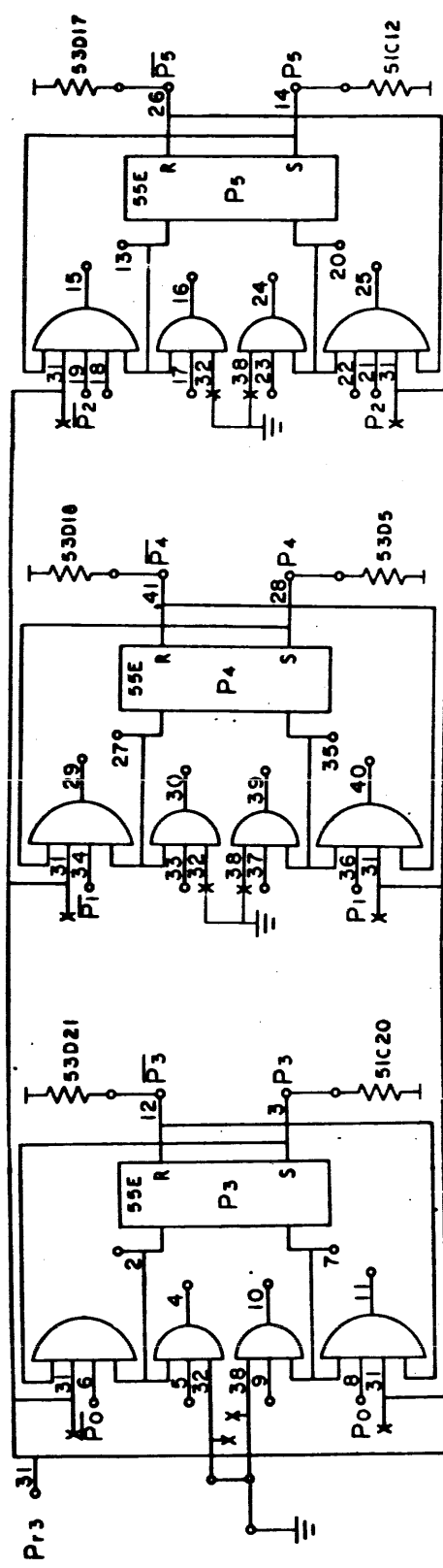
**SBS**  
SACRAMENTO, CALIFORNIA

TITLE: **DIAGRAM, LOGIC COMPUTER**

930	DWG NO. 106407	CHANGE LETTER A
-----	----------------	-----------------

SCALE: DO NOT SCALE DRAWING SHEET

106407/A



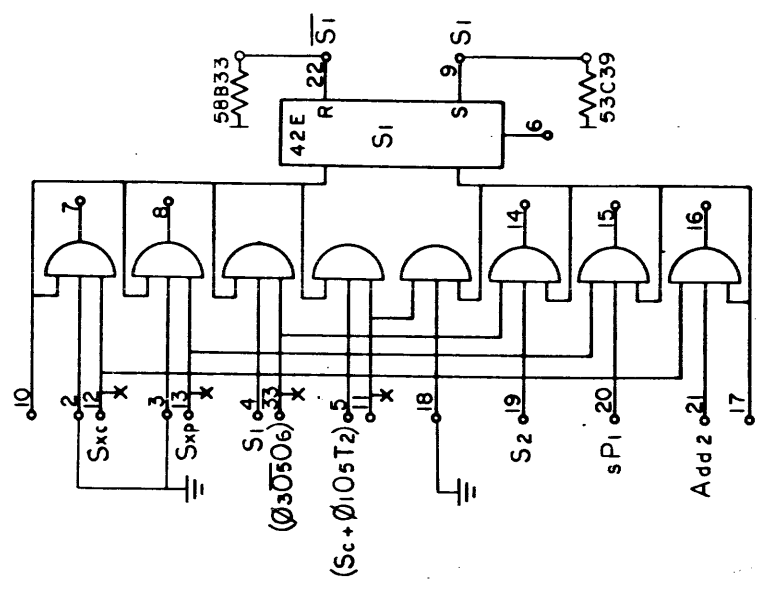
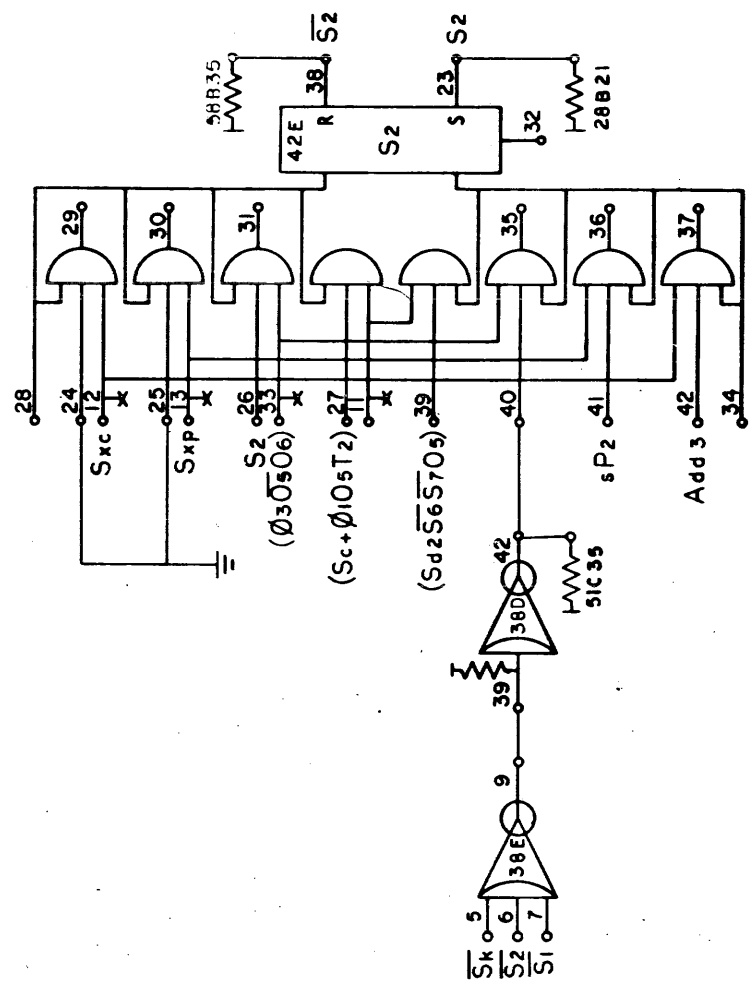
930  
PAGE 55  
A

REVISIONS			
REV.	DESCRIPTION	CHK.	DATE
A			

106407		A
TITLE DIAGRAM, LOGIC COMPUTER		
930	106407	A
SCALE	DO NOT SCALE DRAWING	SHEET

106407/A

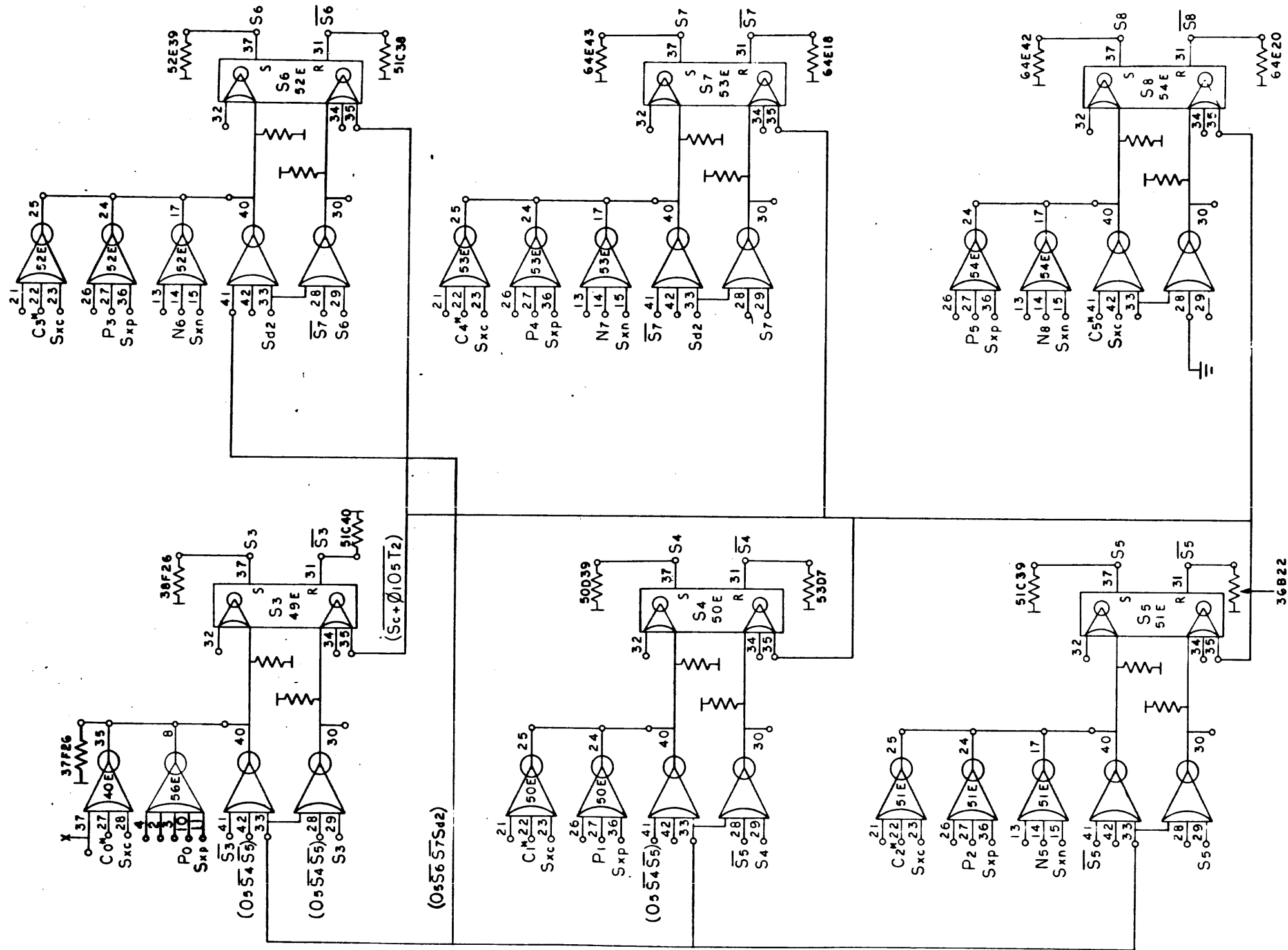


930  
PAGE 56  
A

REVISIONS			
REV.	DESCRIPTION	CHK.	DATE
A			

<b>SDS</b> SCIENTIFIC DATA SYSTEMS SANTA MONICA, CALIFORNIA			
TITLE <b>DIAGRAM, LOGIC COMPUTER</b>			
930	SIZE	DWG. NO. <b>106407</b>	DRAWING LEVEL <b>A</b>
SCALE DO NOT SCALE DRAWING SHEET			

106407A



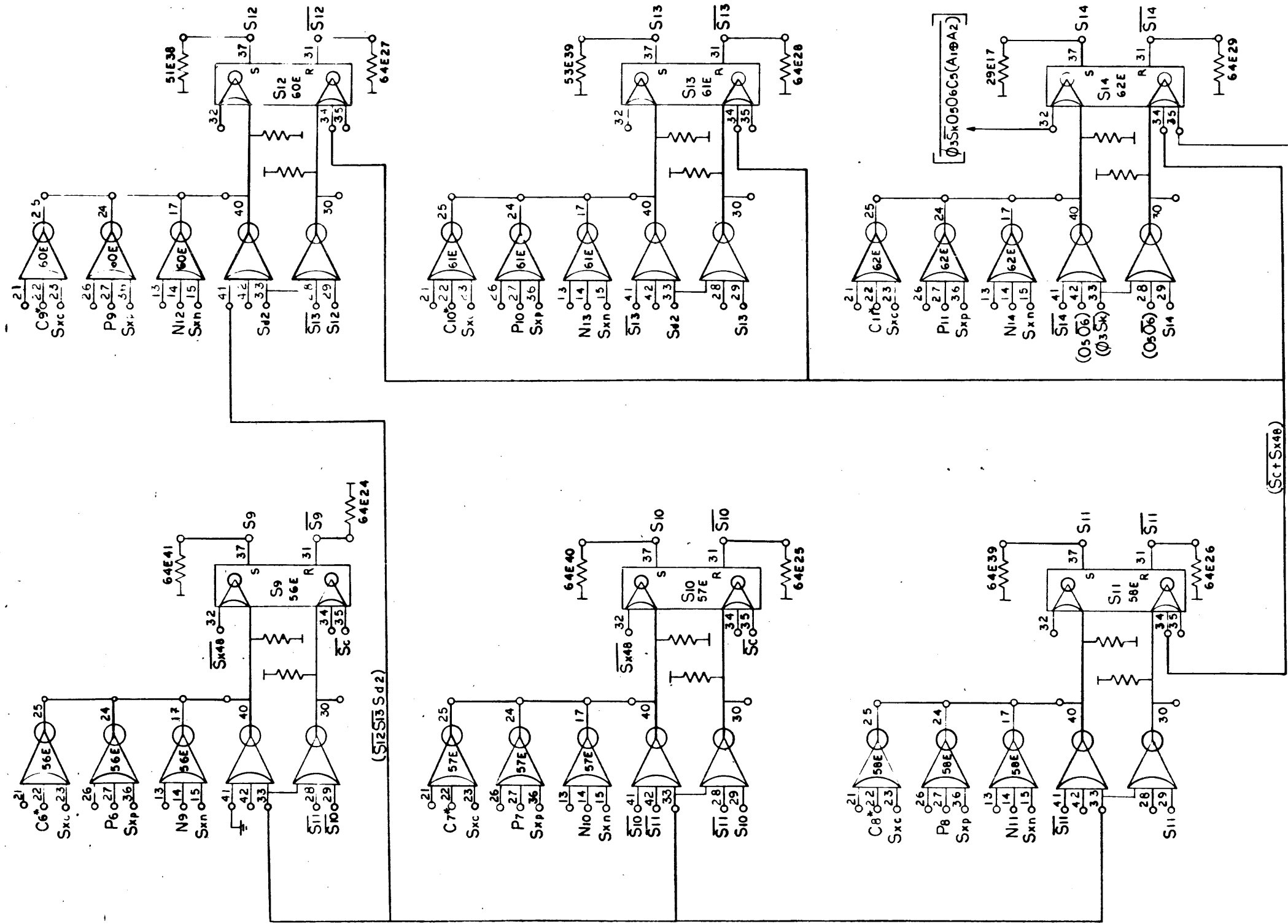
930  
PAGE 57  
A

REVISIONS		106407 A	
REV.	DESCRIPTION	CHK.	DATE
A	REVISED TO MECH		


TITLE		DIAGRAM, LOGIC COMPUTER	
930	930	106407	A
SCALE	DO NOT SCALE DRAWING	ENDET	

106407/A



930  
PAGE 58  
A

REVISIONS				
REV	DESCRIPTION	CHK	DATE	APPROVED
A	RELEASED TO MFG		7/16/64	[Signature]

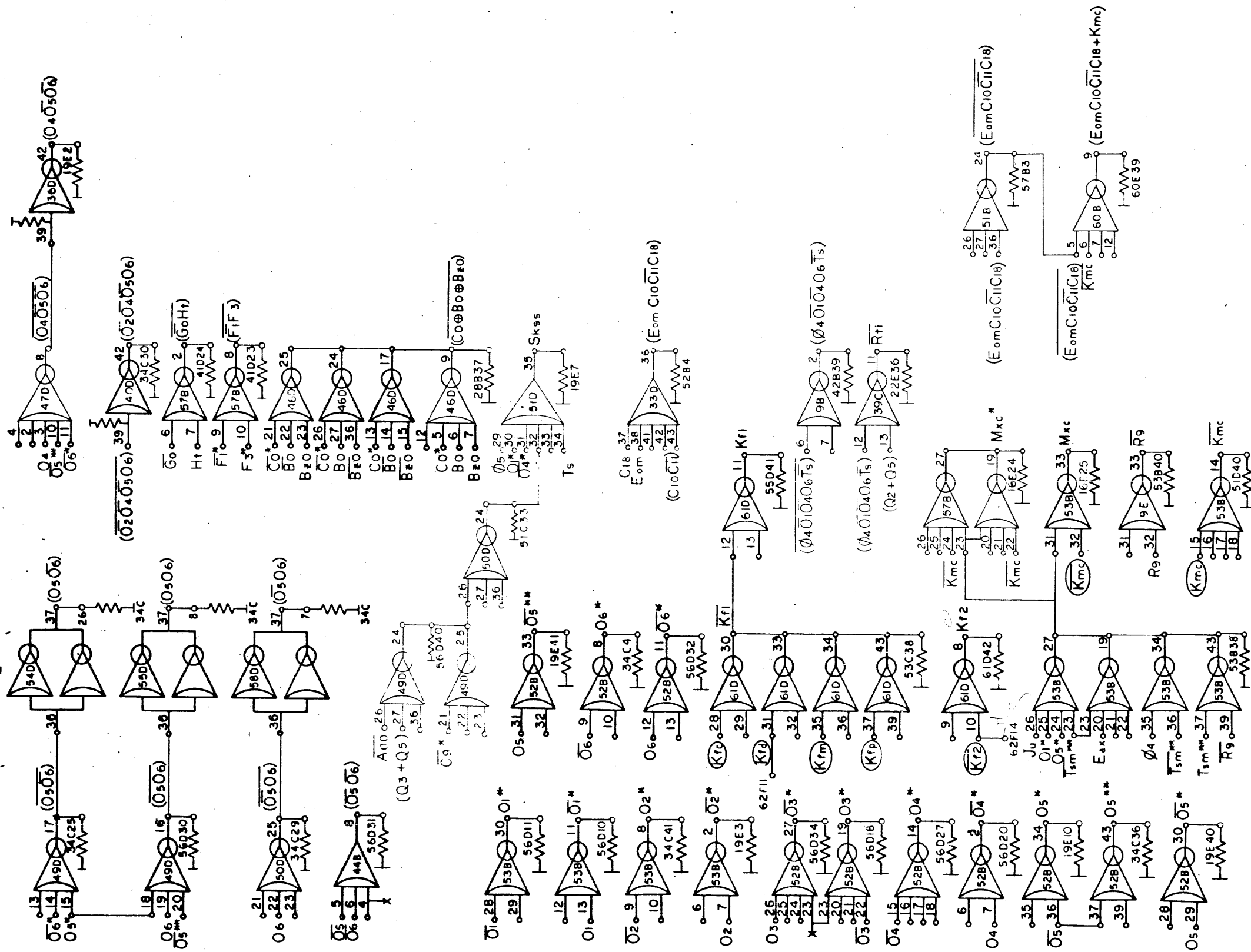
 SCIENTIFIC DATA SYSTEMS SANTA MONICA, CALIFORNIA			
TITLE <b>DIAGRAM, LOGIC          COMPUTER</b>			
930	REV. NO.	106407	DRAWING LAYER A
SCALE	DO NOT SCALE DRAWING	QUEST	

106407/A









930  
PAGE 60  
D

REVISIONS			
REV.	DESCRIPTION	CHK.	DATE
A	RELEASED TO MFG		
D	SEE REV E0		

**SDS**  
SCIENTIFIC DATA SYSTEMS  
SANTA MONICA, CALIFORNIA

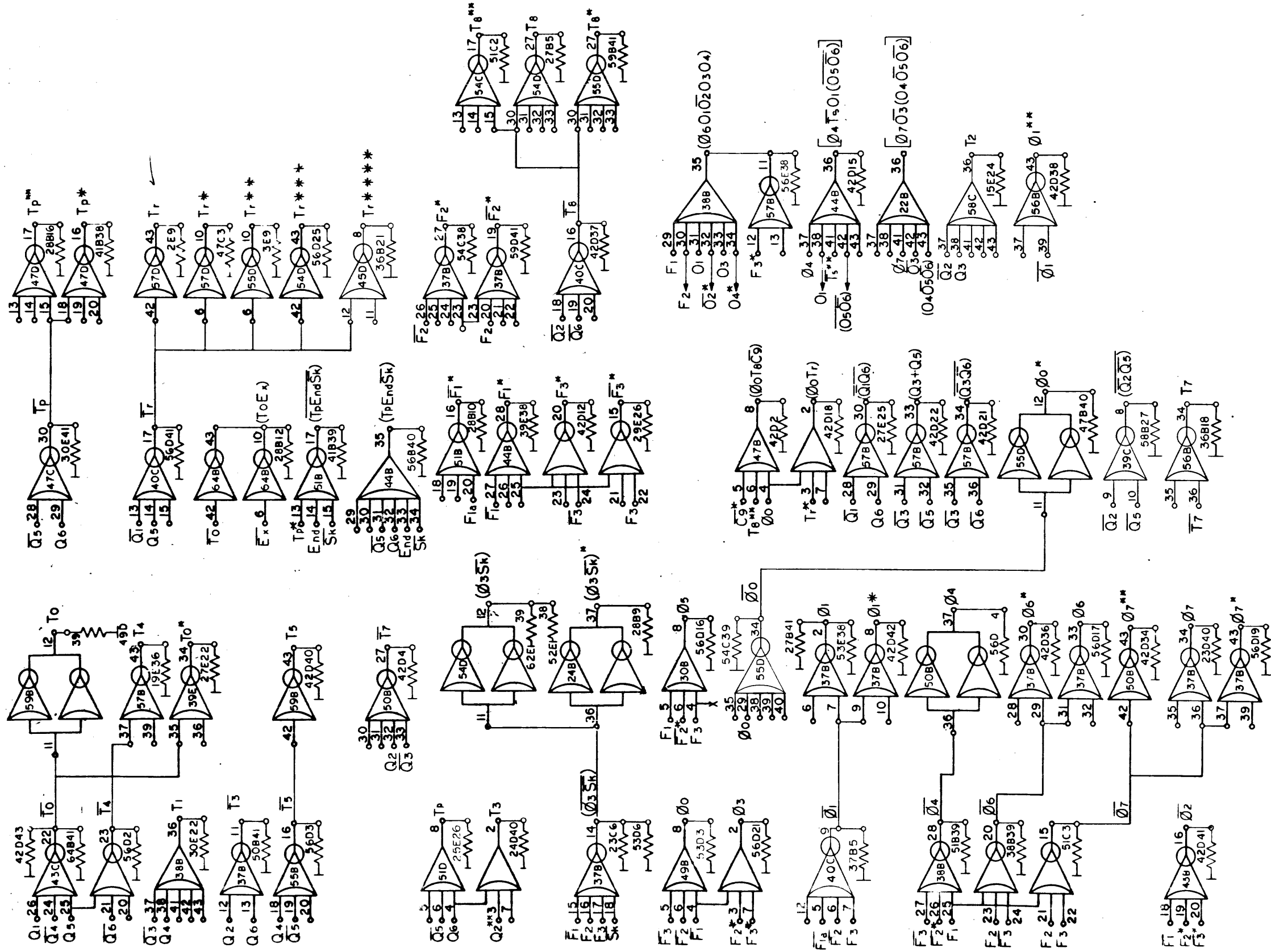
TITLE: **DIAGRAM, LOGIC COMPUTER**

930	DWG. NO. 106407	CHANGE LETTER D
SCALE: DO NOT SCALE DRAWING SHEET 60		

106407/D

REVISIONS				106407	A
REV	DESCRIPTION	CHK	DATE	APPROVED	
A	1. PASSED TO WFL	WFL	2/16/68	2/22/68	

930  
PAGE 61  
A

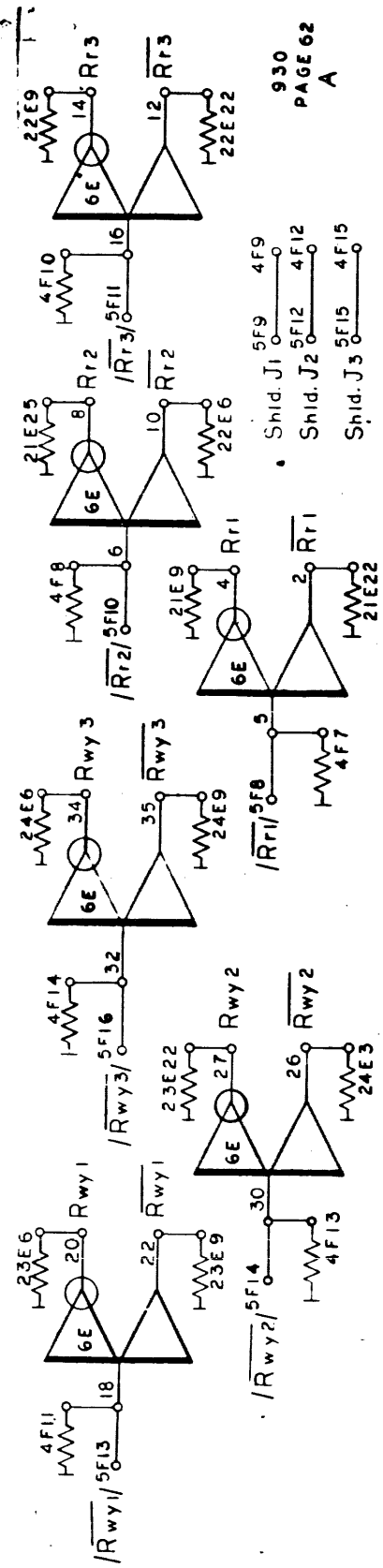
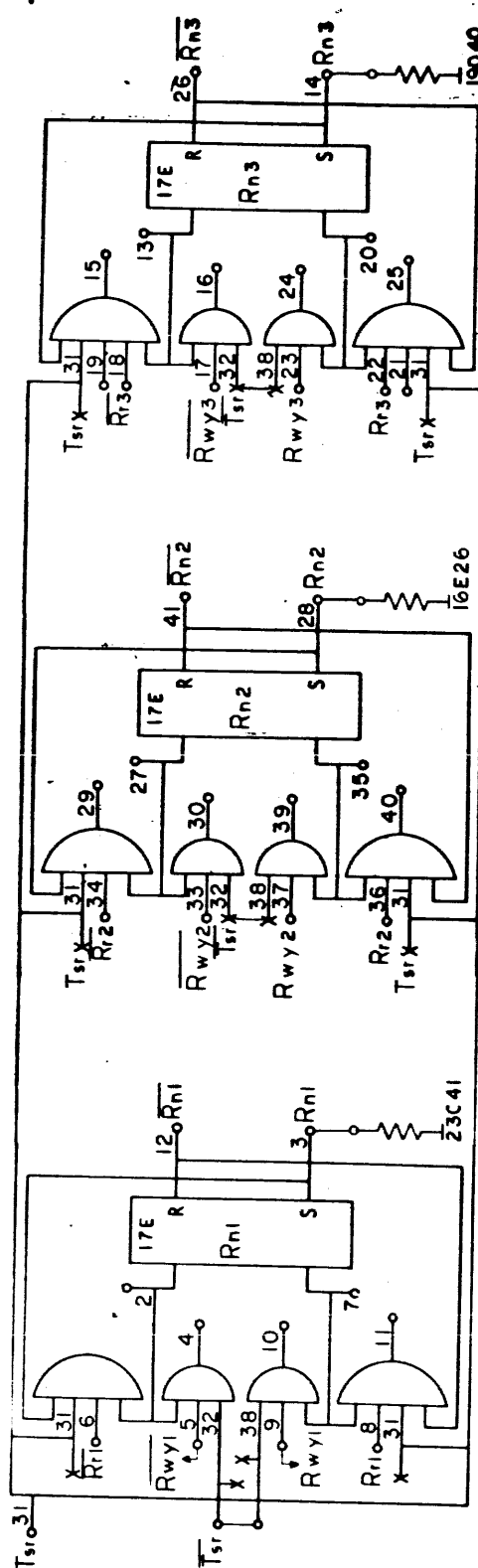
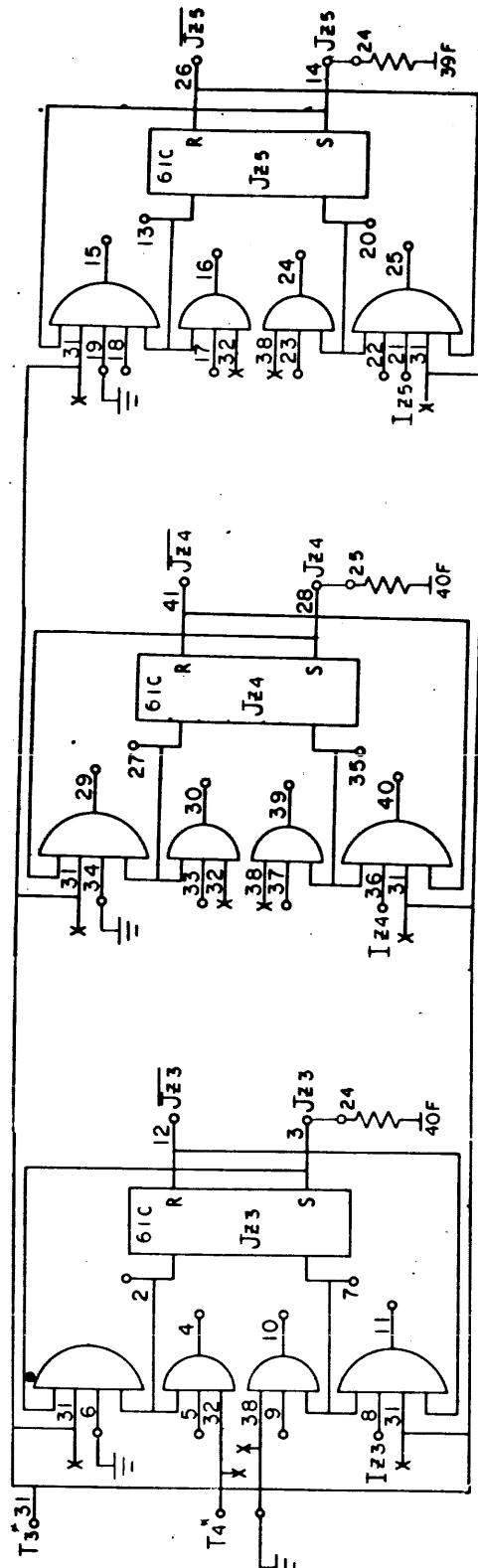
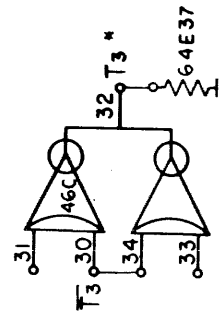
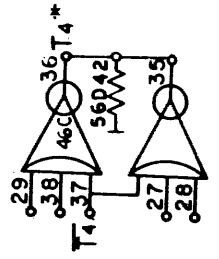
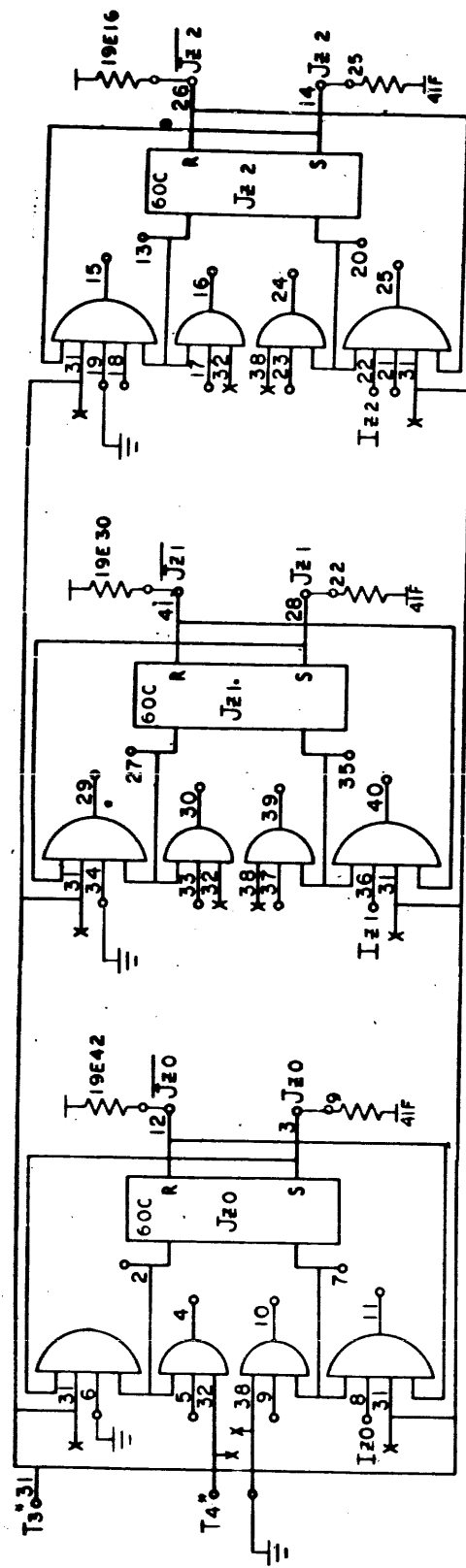


**SDS**  
DIGITAl DATA SYSTEMS  
SANTA MONICA, CALIFORNIA

DIAGRAM, LOGIC COMPUTER

370	106407	CHANGE LATTER A
SCALE	DO NOT SCALE DRAWING	SHEET

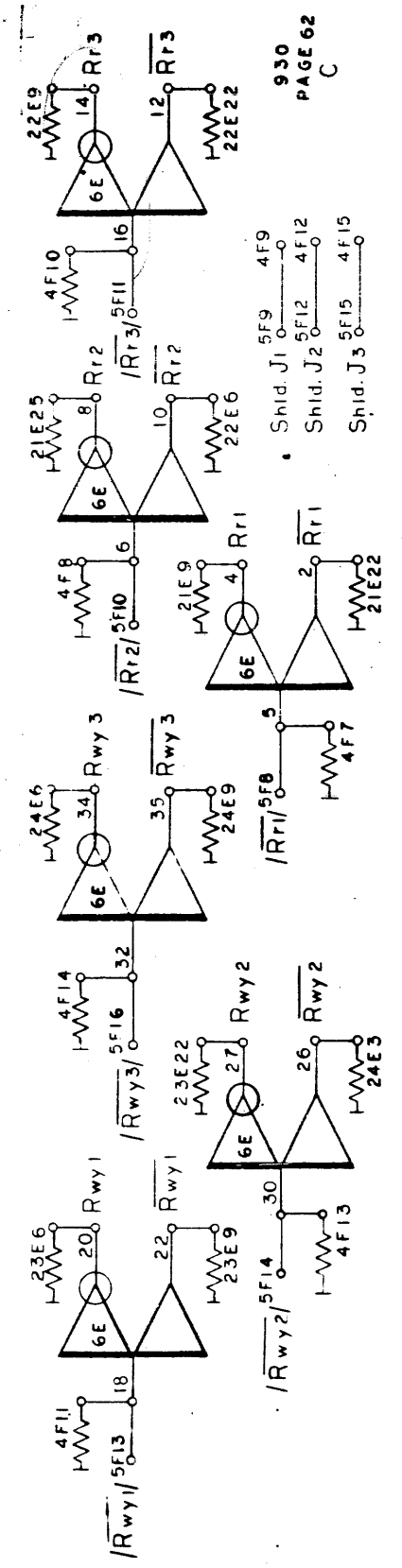
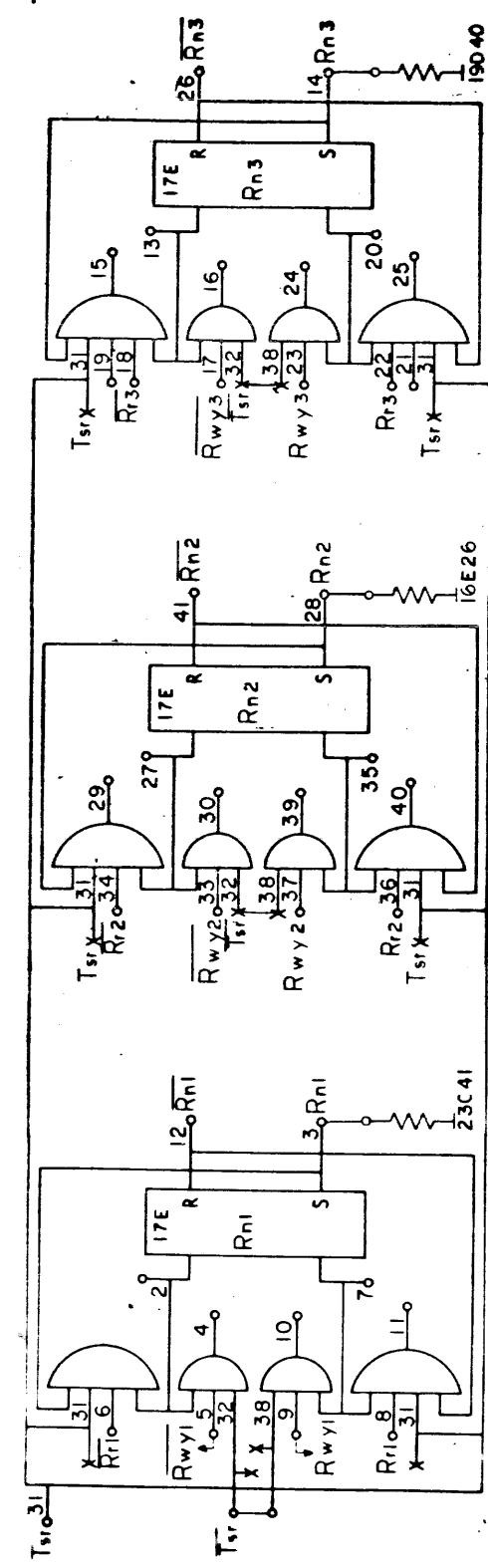
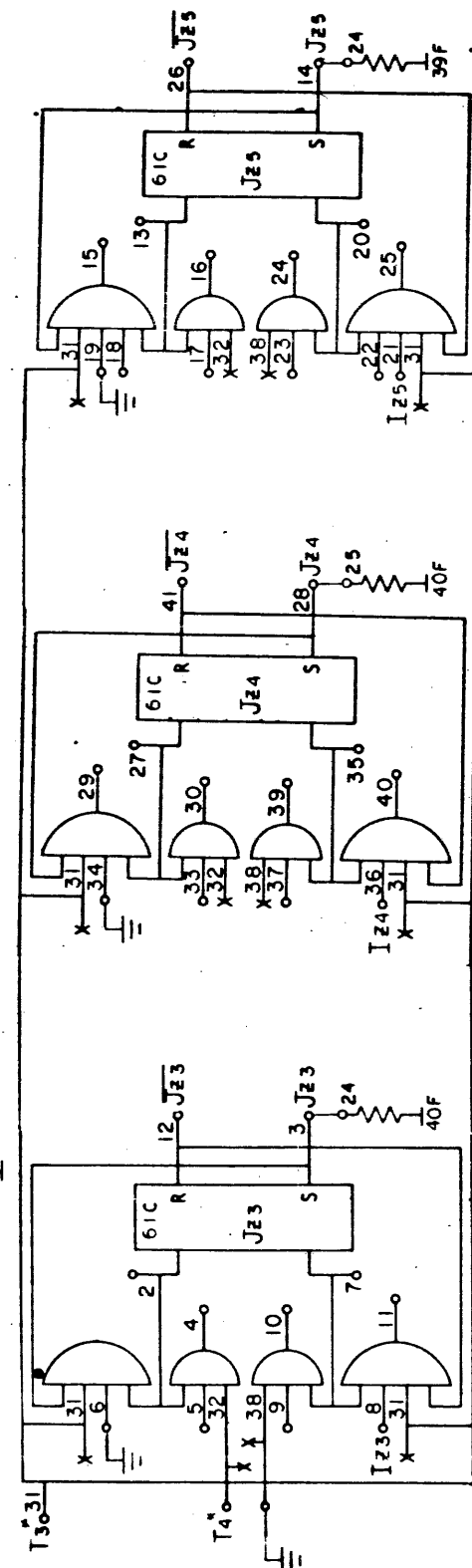
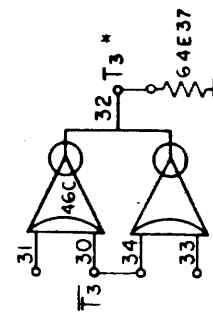
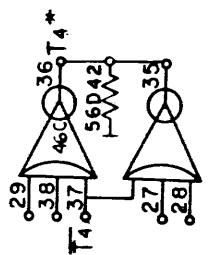
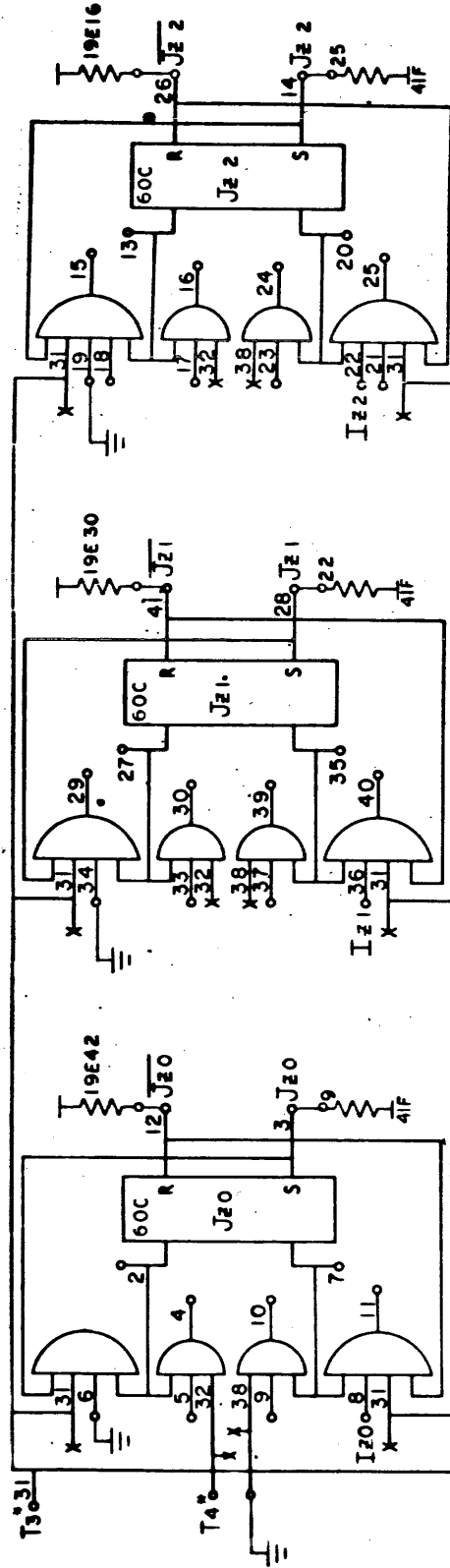
106407A



930  
PAGE 62  
A

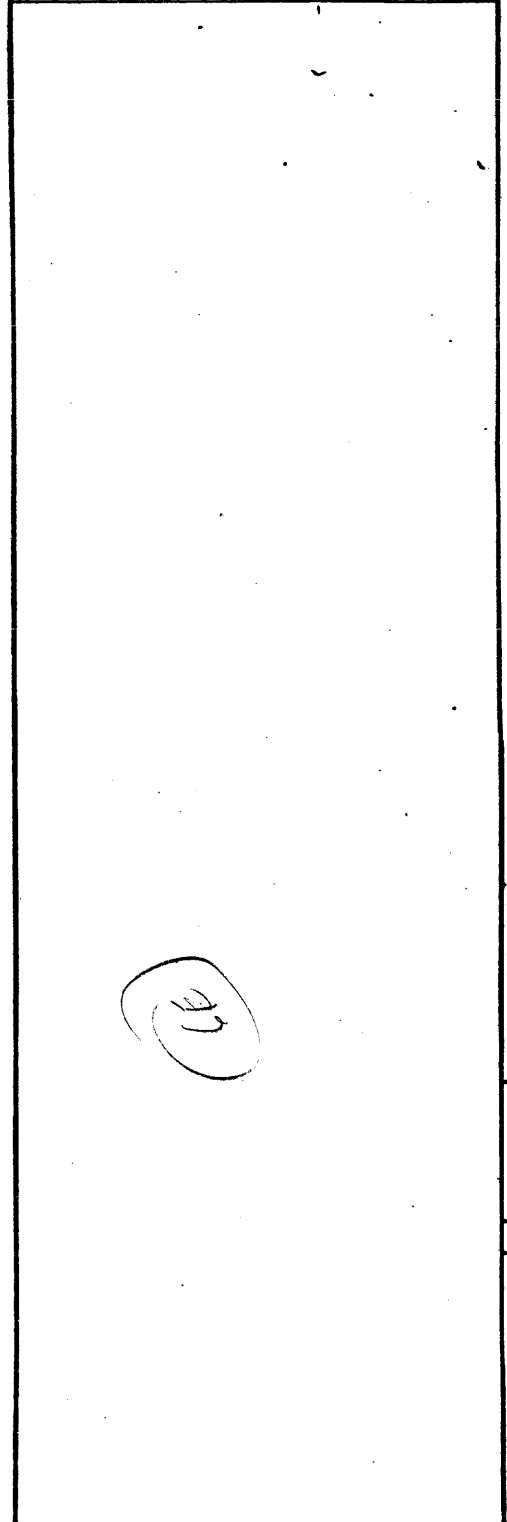
REV.		DESCRIPTION		REVISIONS		106407 A	
NO.	DATE	BY	APP'D	NO.	DATE	BY	APP'D
A							
SDS SCIENTIFIC DATA SYSTEMS SANTA MONICA, CALIFORNIA							
TITLE DIAGRAM, LOGIC COMPUTER							
930	REV. NO.	106407		CHANGE	LETTER		
SCALE	DO NOT SCALE DRAWING	SHEET		A			

106407/A



930  
PAGE 62  
C

REVISIONS			
REV.	DESCRIPTION	CHK	DATE
A	REVISION		
C	SEE REV EC		



(6)

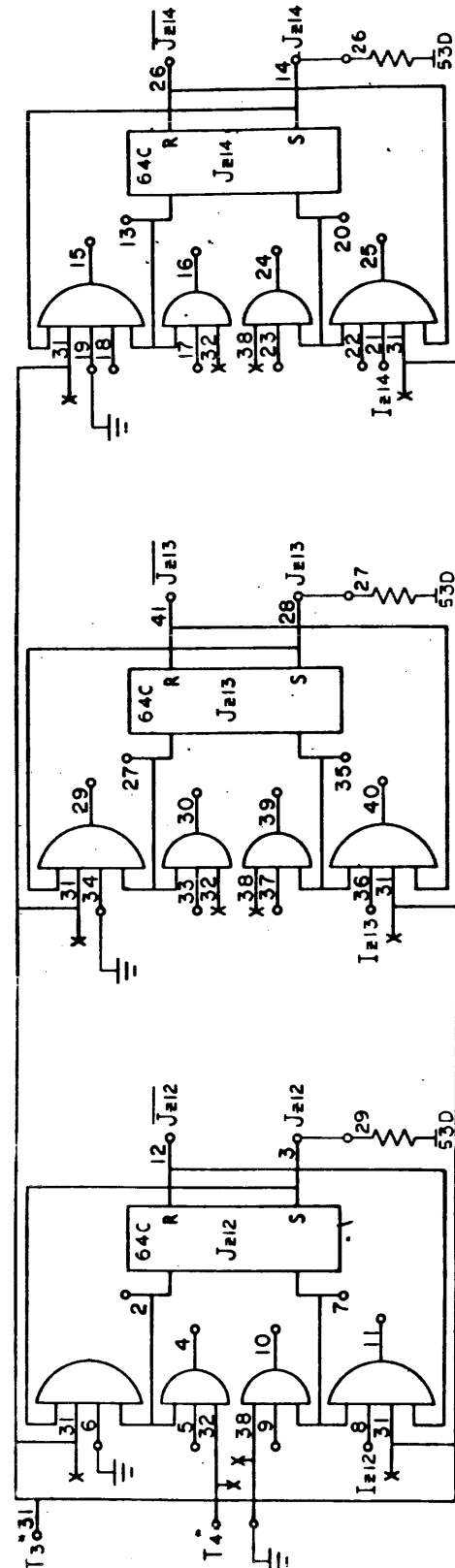
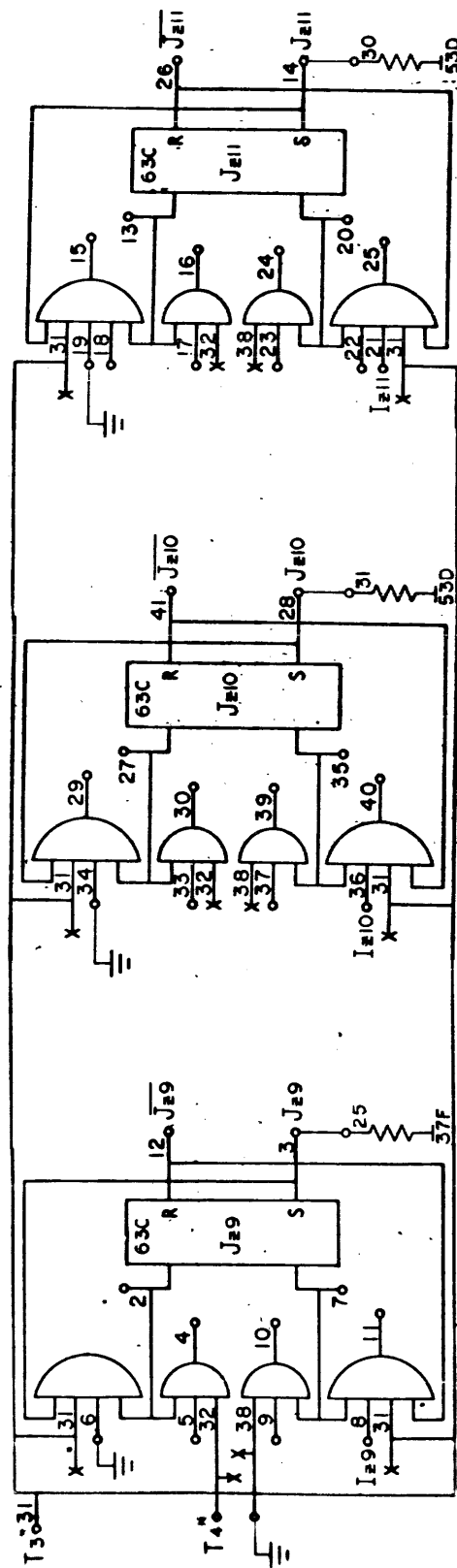
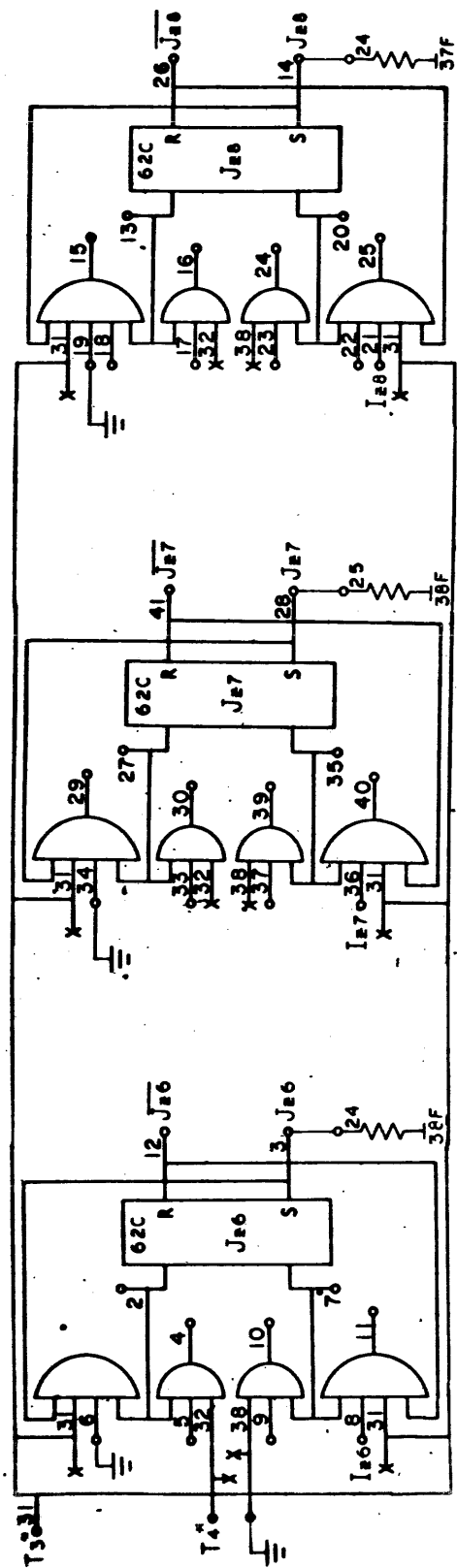
SDS  
SCIENTIFIC DATA SYSTEMS  
SANTA ANITA, CALIFORNIA

DIAGRAM, LOGIC COMPUTER

930	106407	C
-----	--------	---

1106407/C





930  
PAGE 63  
A

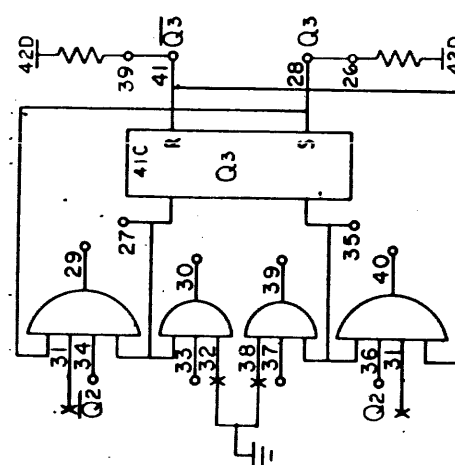
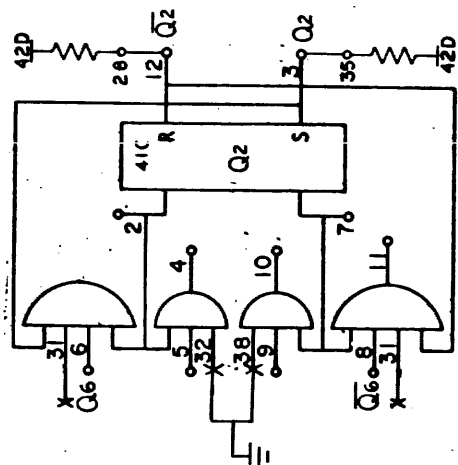
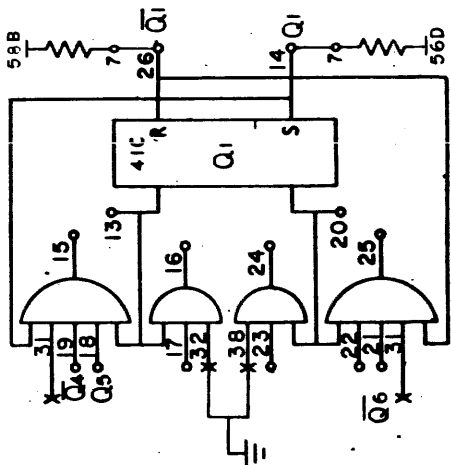
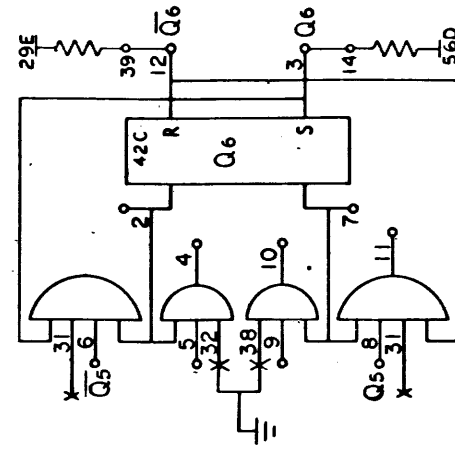
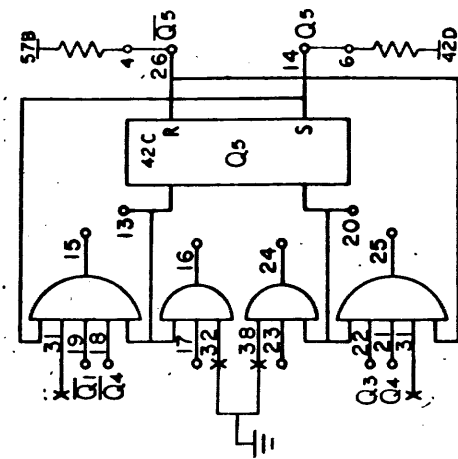
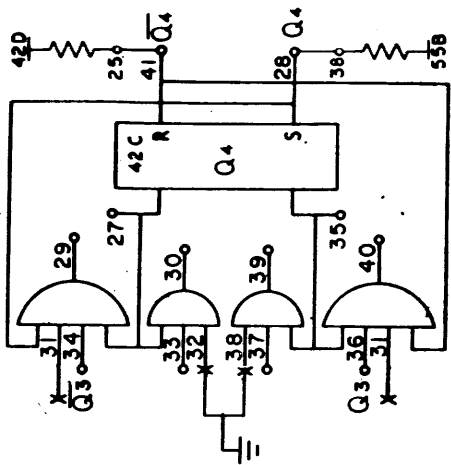
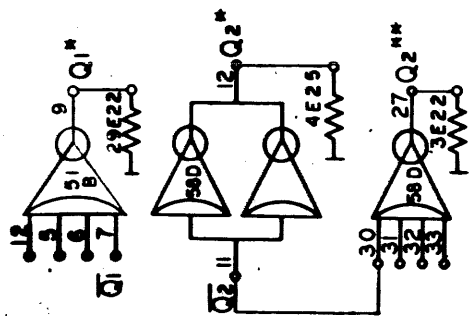
REVISIONS				106407	A
REV.	DESCRIPTION	CHK.	DATE	APPROVED	
A	RELEASED	MFG	7-16	JMM	

**SDB**  
SCIENTIFIC DATA SYSTEMS  
DANA POINT, CALIFORNIA

TITLE  
**DIAGRAM, LOGIC  
COMPUTER**

930	SIZE	DWG NO.	106407	ISSUED	A
SCALE		DO NOT SCALE DRAWING		SHEET	

106407/A



930  
PAGE 64  
A

REVISIONS				
REV	DESCRIPTION	CHK	DATE	APPROVED
A	RELEASED TO MFG			

106407 A

**SDS**  
SCIENTIFIC DATA SYSTEMS  
SANTA MONICA, CALIFORNIA

TITLE  
DIAGRAM, LOGIC  
COMPUTER

930

SIZE

DWG NO.

106407

REVISION

A

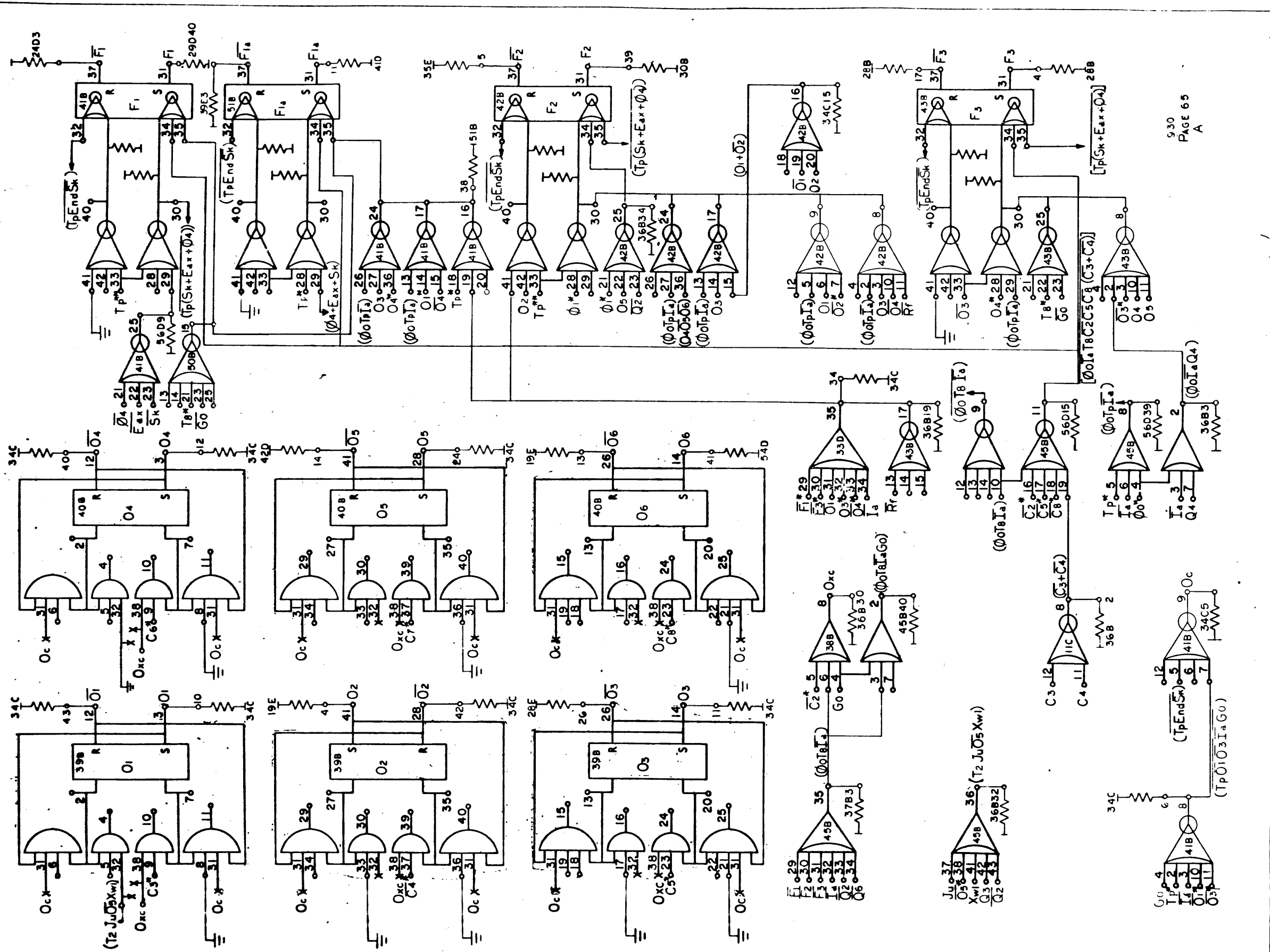
SCALE

DO NOT SCALE DRAWING

SHEET

106407A





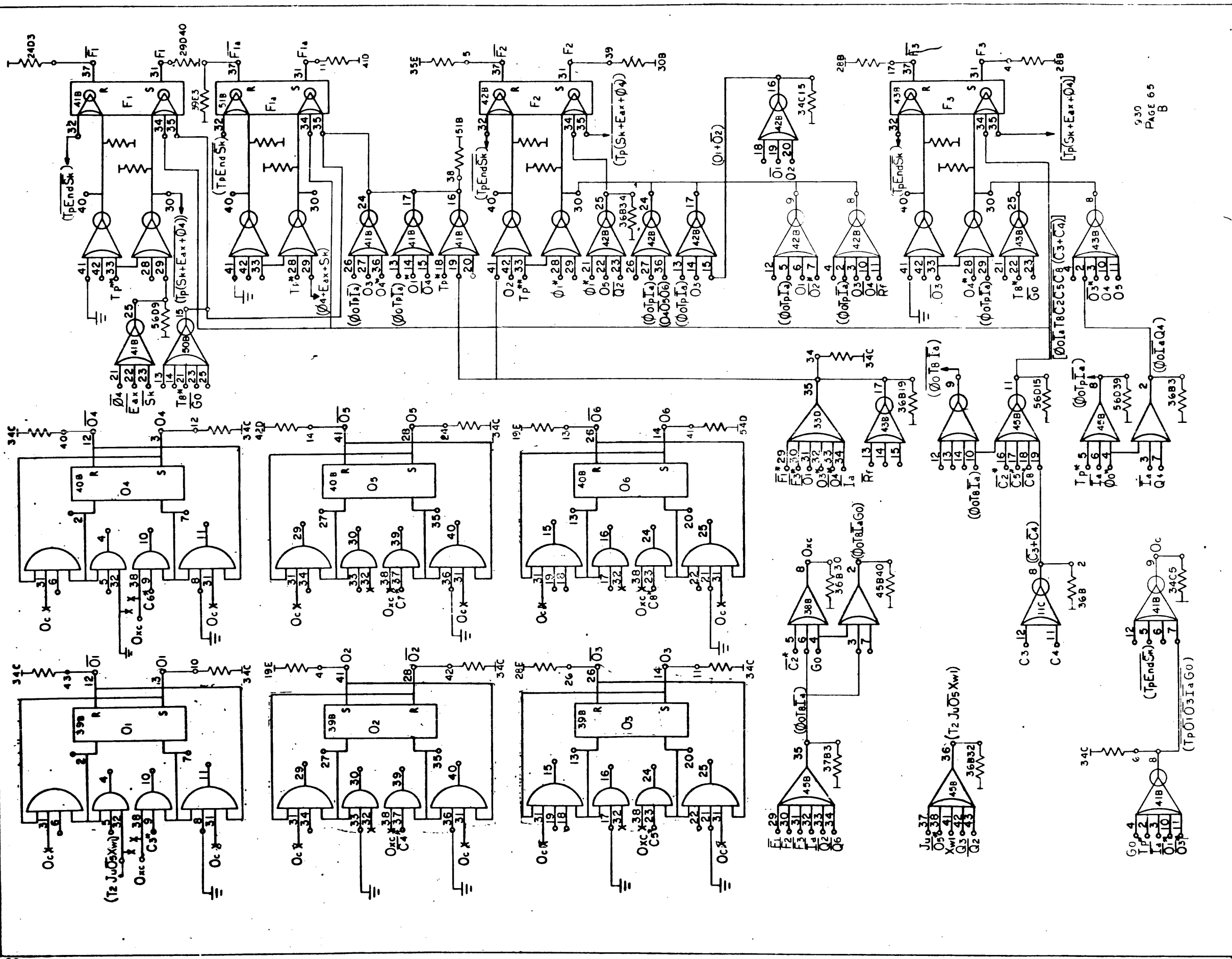
930  
PAGE 65  
A

REVISIONS				
REV	DESCRIPTION	CHK	DATE	APPROVED
A				

106407 A	
DIAGRAM, LOGIC COMPUTER	
930	106407
SCALE	SHEET

106407A



930  
PAGE 65  
B

REVISIONS		106407 B	
REV	DESCRIPTION	CHE	DATE
A			
B	SEE REV E0		

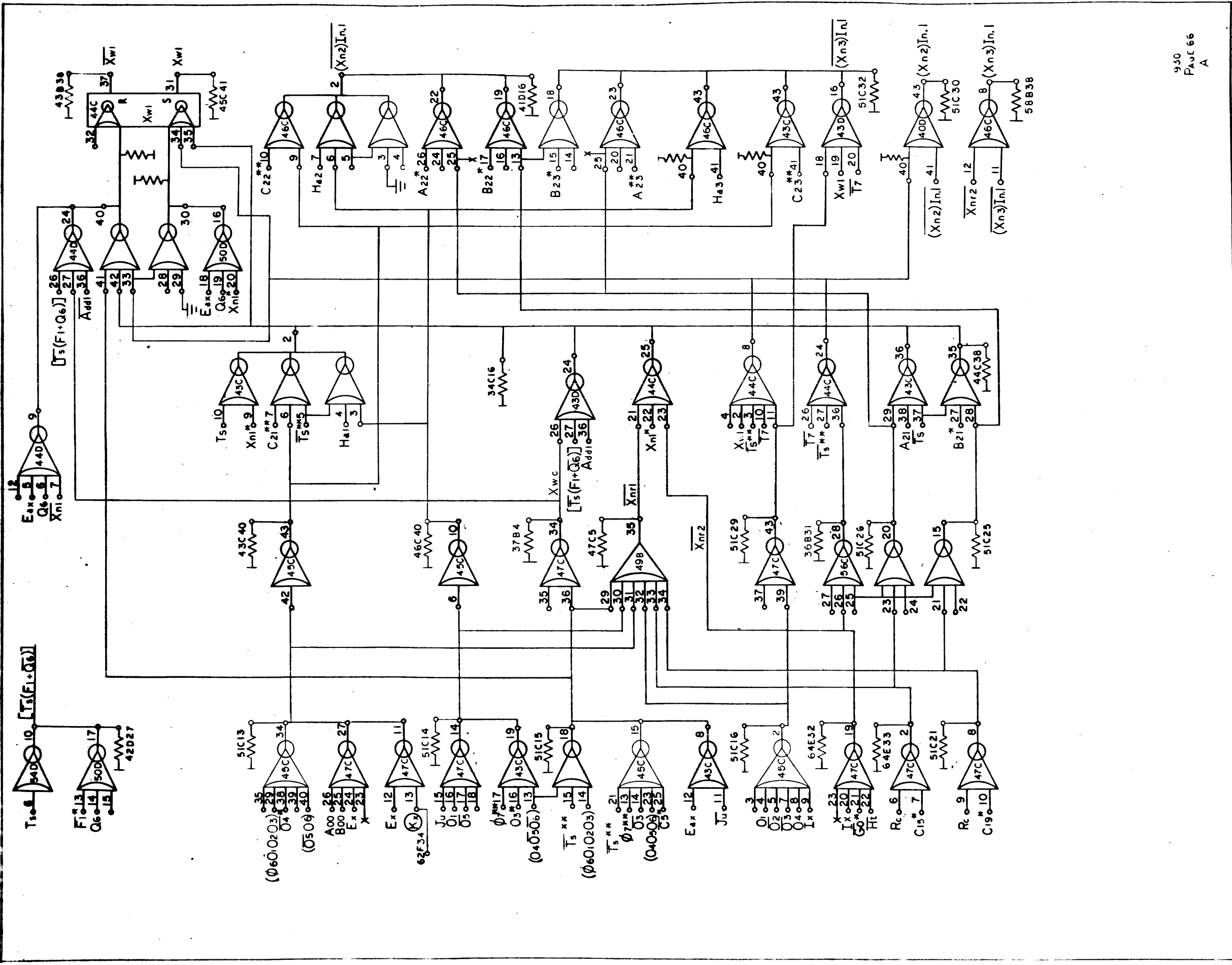
**SDS**  
SUNBELT DATA SYSTEMS  
SUNBELT, CALIFORNIA

DIAGRAM, LOGIC COMPUTER

930	106407	B
-----	--------	---

DO NOT SCALE DRAWING

106407/B1



930  
PAGE 66  
A

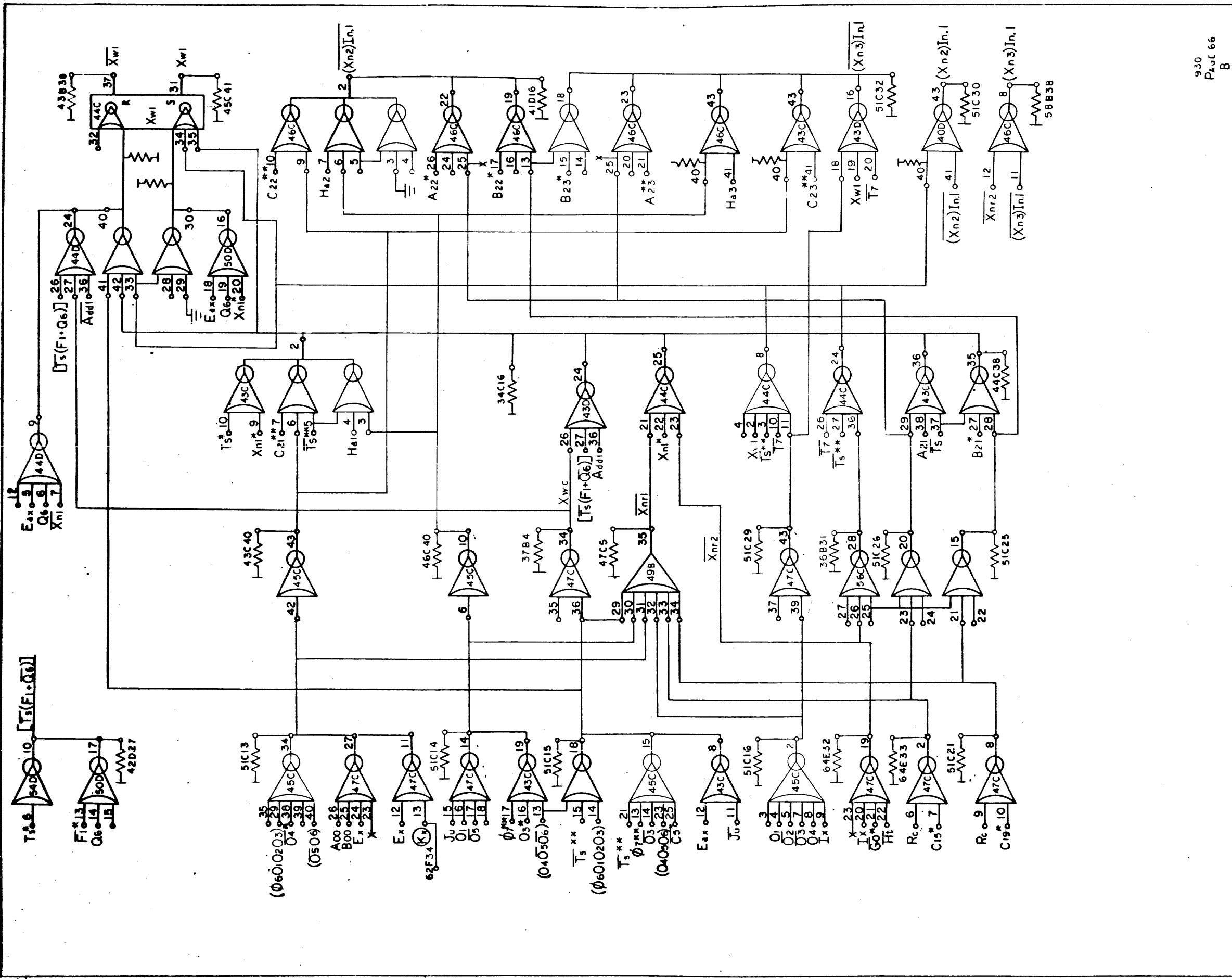
REVISIONS			
REV	DESCRIPTION	CHE	DATE
A	RELEASED TO MFG	EFF	1/16/66

**SDB**  
SCIENTIFIC DATA SYSTEMS  
SANTA BARBARA, CALIFORNIA

TITLE  
**DIAGRAM, LOGIC COMPUTER**

930	DWS NO. 106407	DESIGN A	
SCALE	DO NOT SCALE DRAWING	SHEET	

106407A



930  
PAJ 66  
B

REVISIONS		106407		B
REV	DESCRIPTION	CHK	DATE	APPROVED
A	RELEASED TO MFG		8/16/66	
B	SEE REV E0			

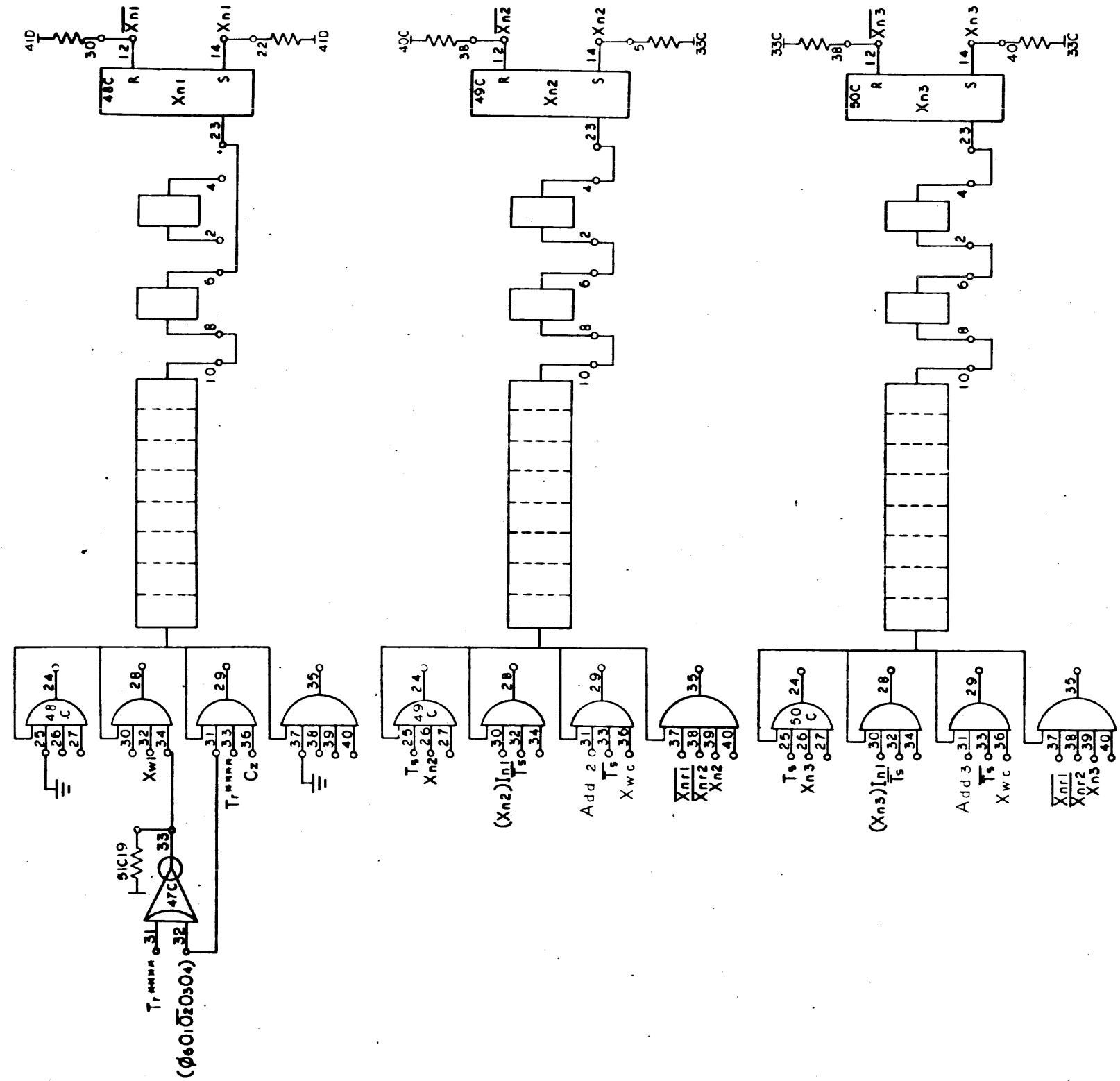
  

<b>SDB</b> SCIENTIFIC DATA SYSTEMS SANTA MONICA, CALIFORNIA		
TITLE <b>DIAGRAM, LOGIC COMPUTER</b>		
930	DWS NO. <b>106407</b>	DRAWN LETTER <b>B</b>
SCALE	DO NOT SCALE DRAWING	SHEET 6

106407/B





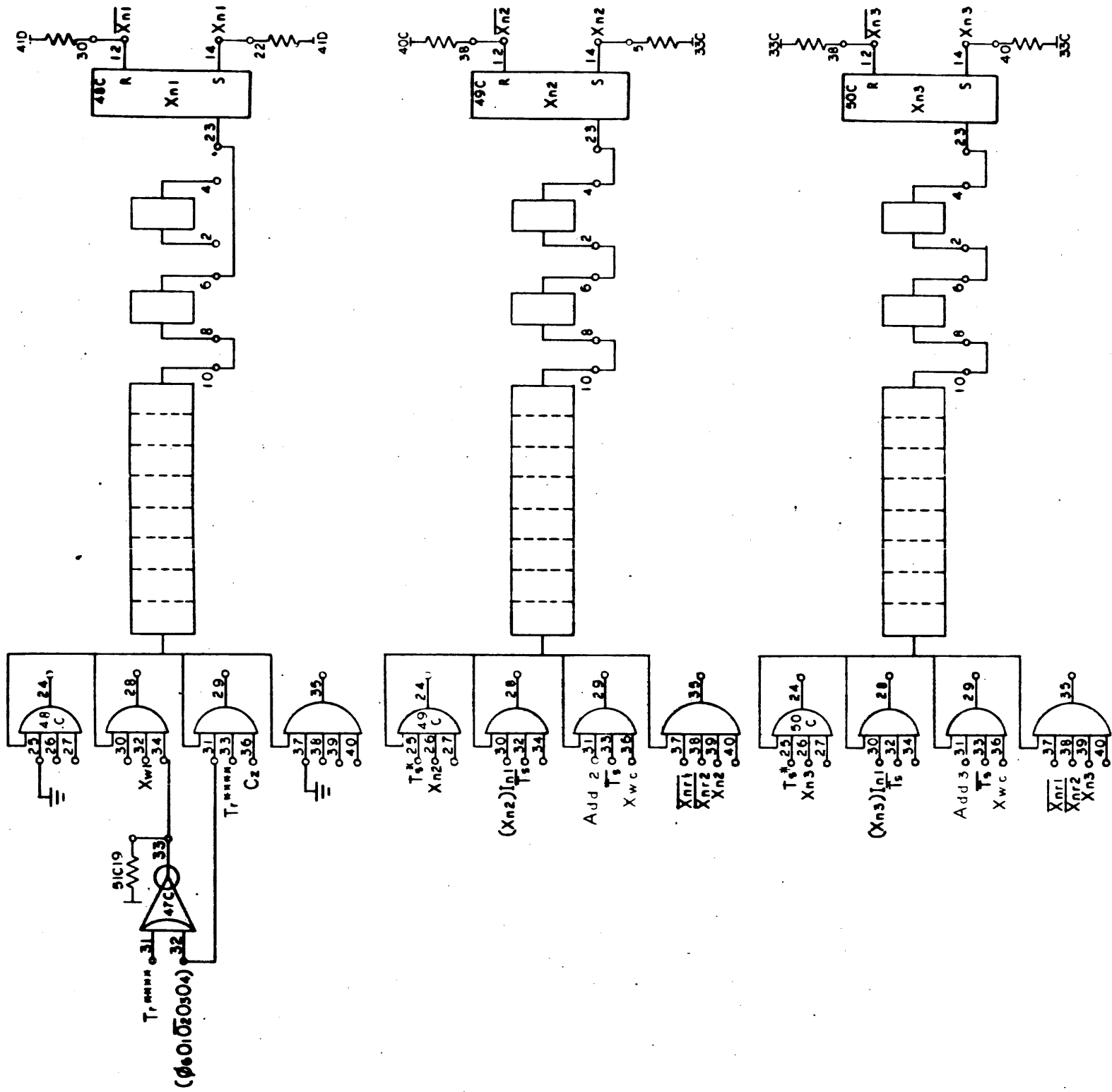


930  
PAGE 67  
A

REVISIONS				106407	A
REV	DESCRIPTION	CHK	DATE	APPROVED	
A	RELEASE TO MFG		1/1/69		

TITLE DIAGRAM, LOGIC COMPUTER			
930	REV. NO.	106407	ISSUE NO.
			A
SCALE DO NOT SCALE DRAWING SHEET			

106407A



930  
PAGE 67  
G

REVISIONS			
REV.	DESCRIPTION	CHK.	DATE
A	RELEASED TO SPS	JH	7/2/58
B	SEE REV EC		9/1/58
G	SEE REV EO		

106407 5

106407/G

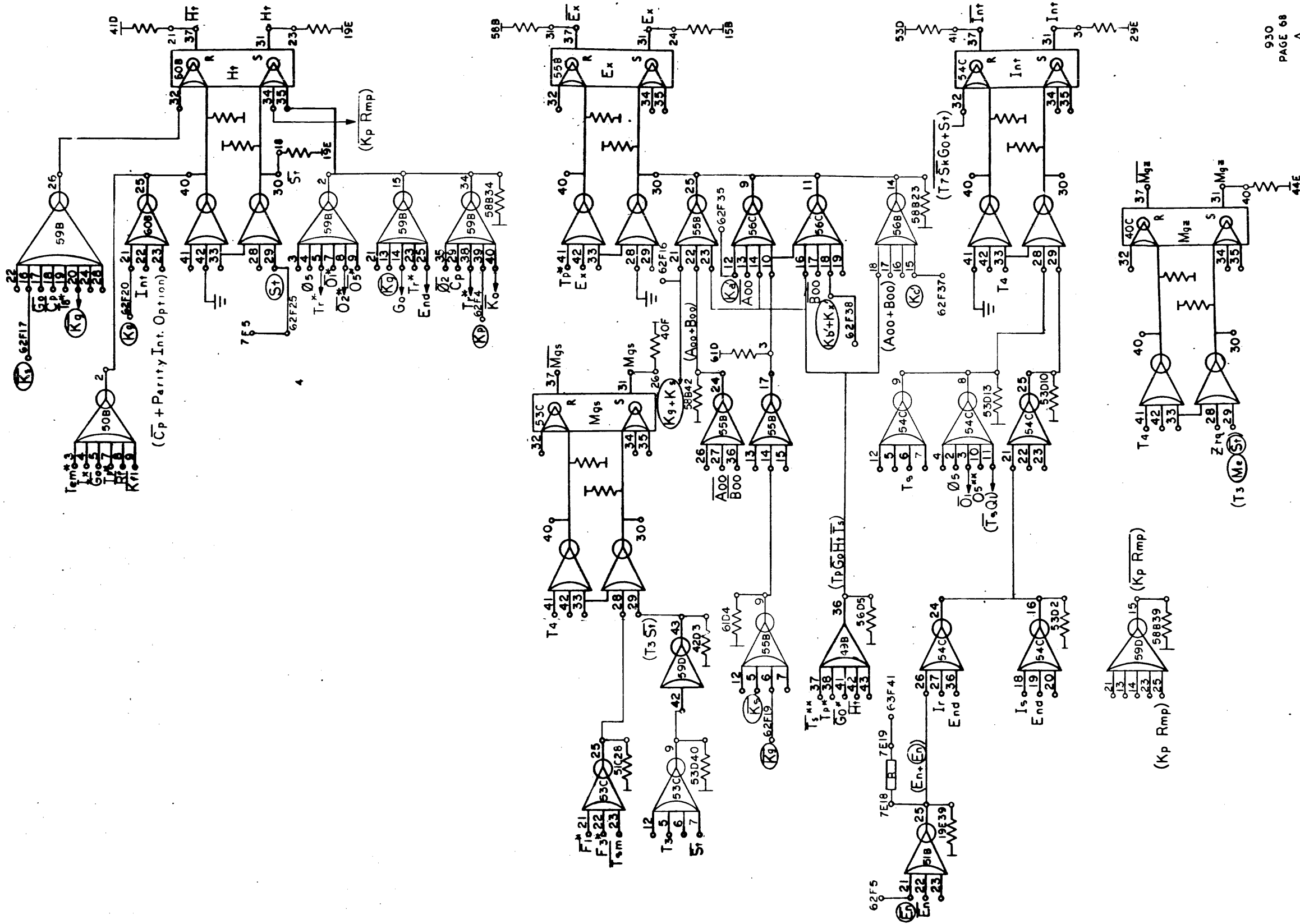
**SDB**  
SCIENTIFIC DATA SYSTEMS  
SANTA MONICA, CALIFORNIA

TITLE  
**DIAGRAM, LOGIC  
COMPUTER**

930      DWS NO.      106407      DRAWING LETTER      G

SCALE      DO NOT SCALE DRAWING      DWGSET





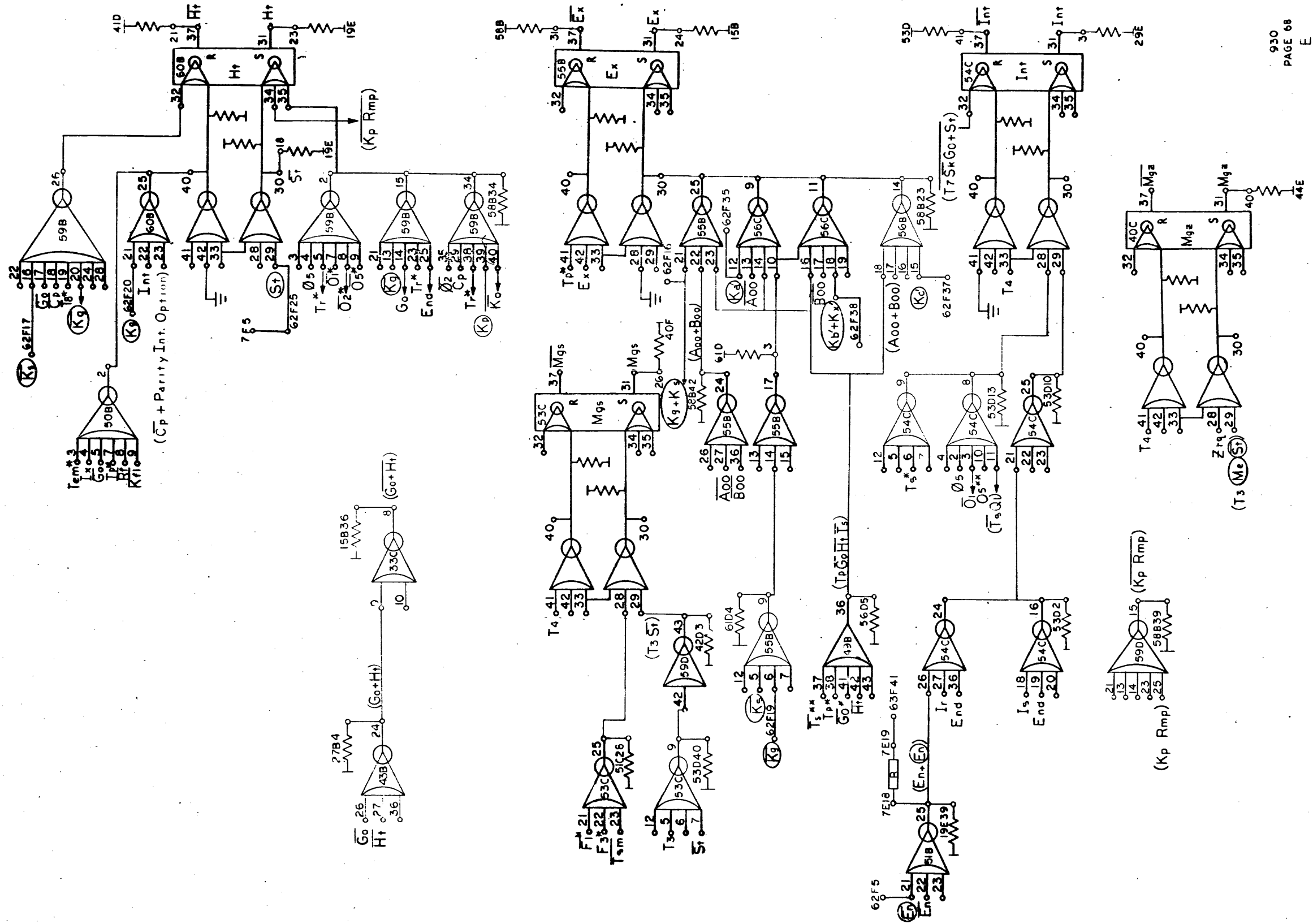
930  
PAGE 68  
A

REVISIONS				106407	A
REV.	DESCRIPTION	CHK.	DATE	APPROVED	
A	RELEASED TO MFG				

<b>SDB</b> SCIENTIFIC DATA SYSTEMS DATA PROCESSING DIVISION					
DIAGRAM, LOGIC COMPUTER					
930	REV. NO.	106407		DESIGNED BY	A
SCALE	DO NOT SCALE DRAWING		CHKD.		

106407A





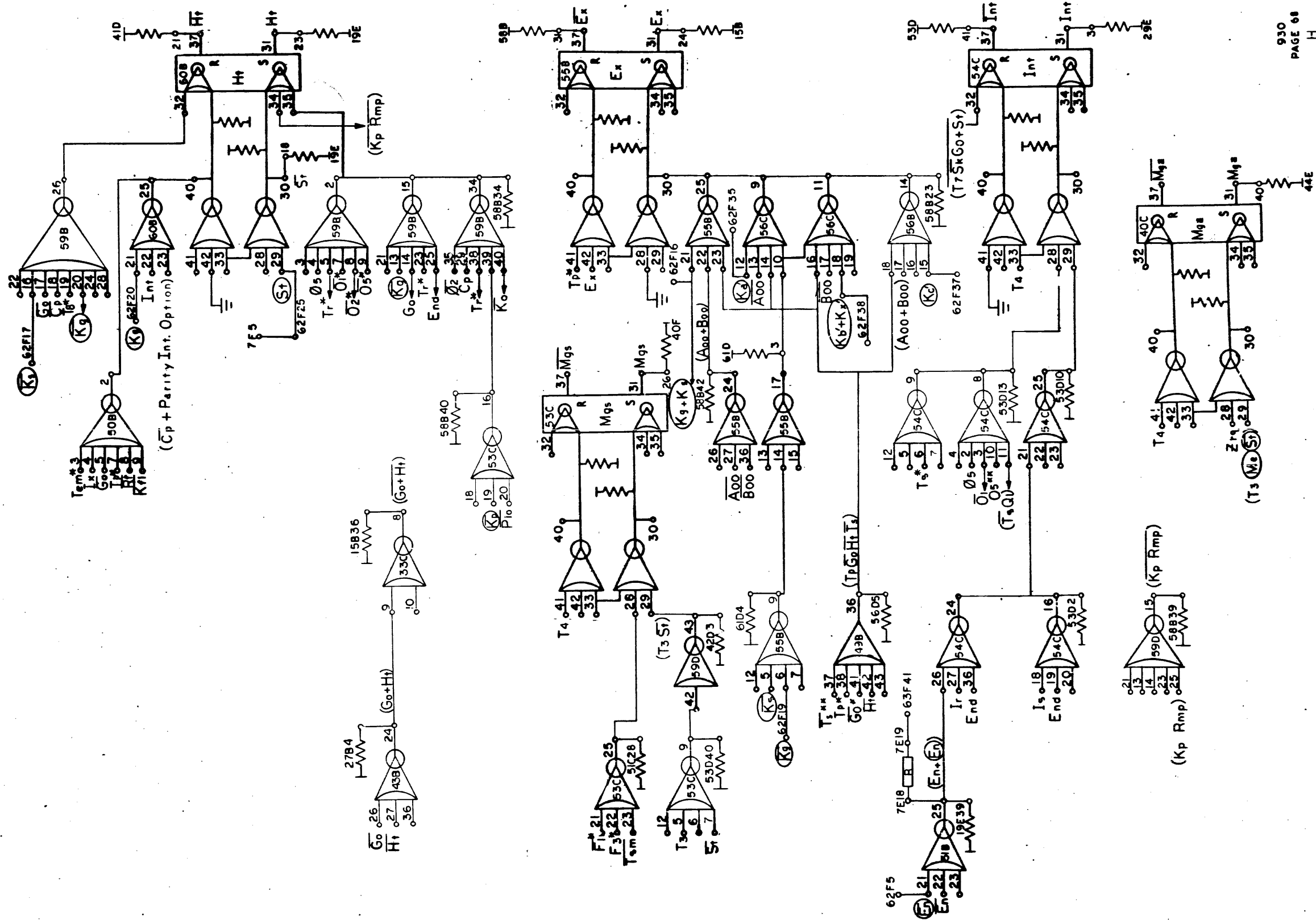
REVISIONS			
REV	DESCRIPTION	CHK	DATE
A	RELEASED TO MFG		
C	SEE REV E0		
E	SEE REV E0		

106407 E		
930	106407	E

**SDB**  
SANTA BARBARA

TITLE  
**DIAGRAM, LOGIC COMPUTER**

106407/E



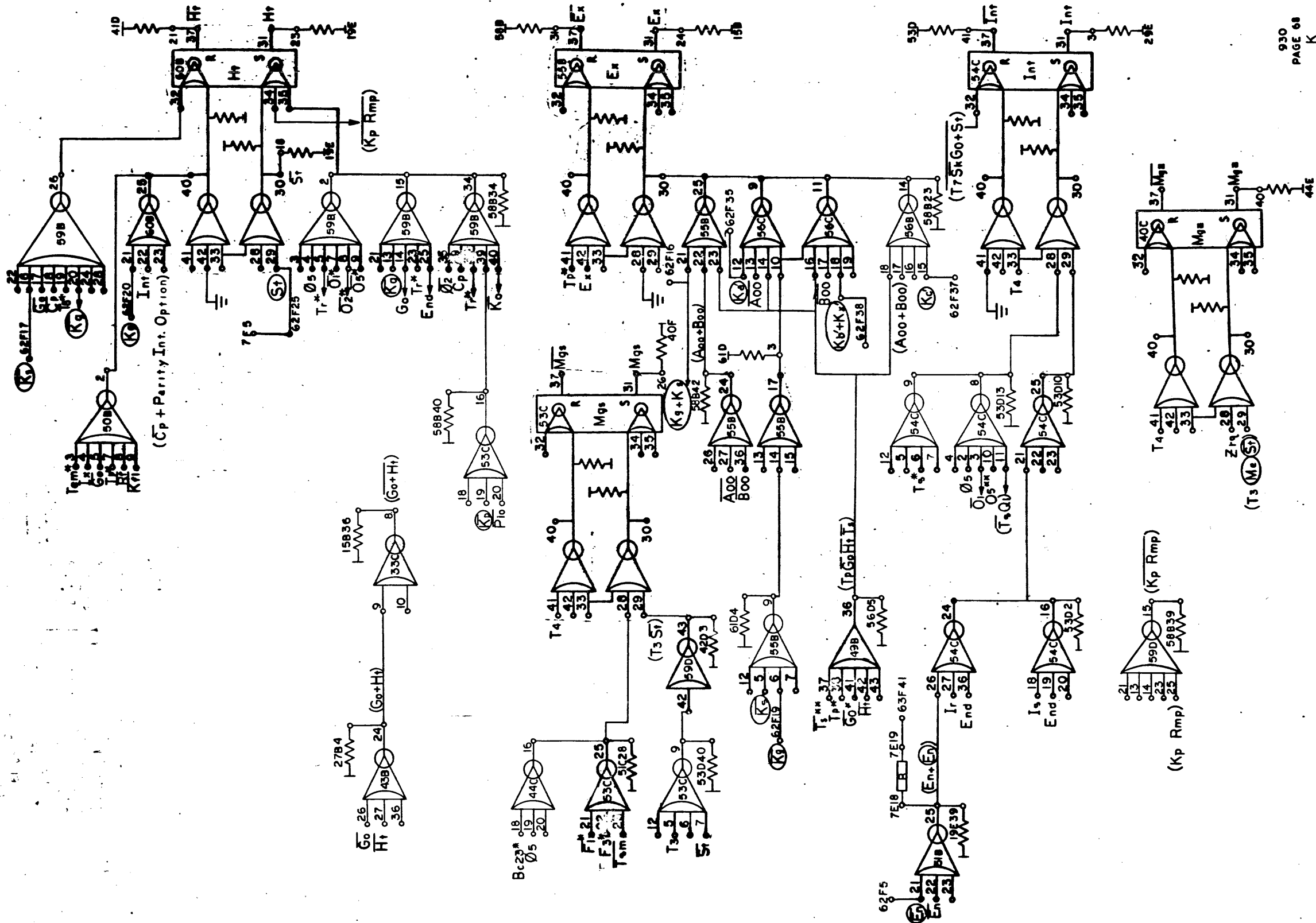
REVISIONS			106407	H
REV	DESCRIPTION	CHK	DATE	APPROVED
A	RELEASED TO MFG	SL	8/20/68	MMH/H
C	SEE REV E0		1/23/68	SLP
E	SEE REV E0		2/25/68	SLP
H	SEE REV E0		5/9/68	SLP

**SDB**  
SUNBELT DATA SYSTEMS  
SANTA ANA, CALIFORNIA

DIAGRAM, LOGIC COMPUTER

930	106407	H
-----	--------	---

SCALE: DO NOT SCALE DRAWING SHEET 68



930  
PAGE 68  
K

REVISEMENTS		106407	K
REV.	DESCRIPTION	DATE	APPROVED
A	RELEASED TO MFG	12/13/68	W.D.W.
C	SEE REV E0	1/10/69	W.D.W.
E	SEE REV E0	1/10/69	W.D.W.
H	SEE REV E0	1/10/69	W.D.W.
K	SEE REV E0	1/10/69	W.D.W.

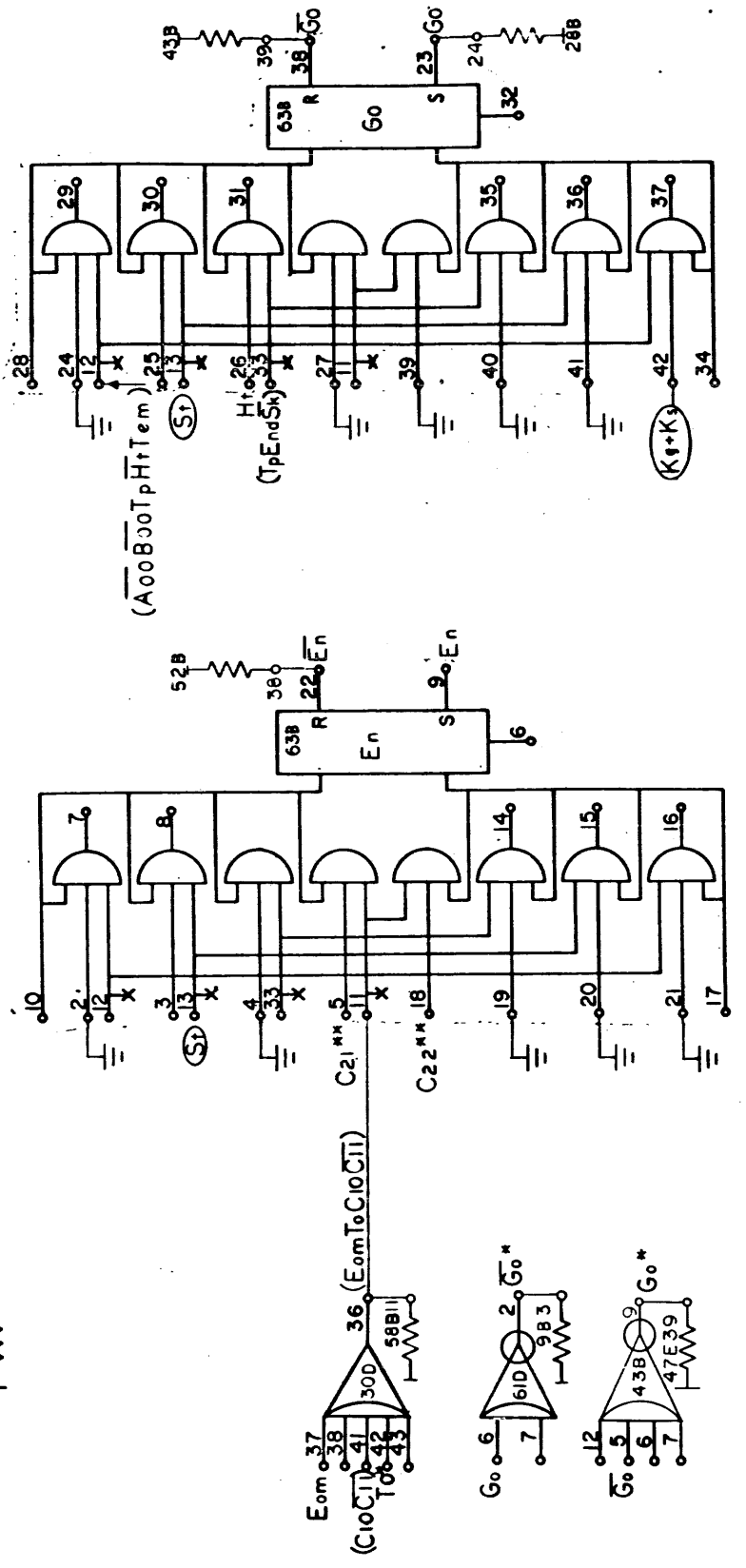
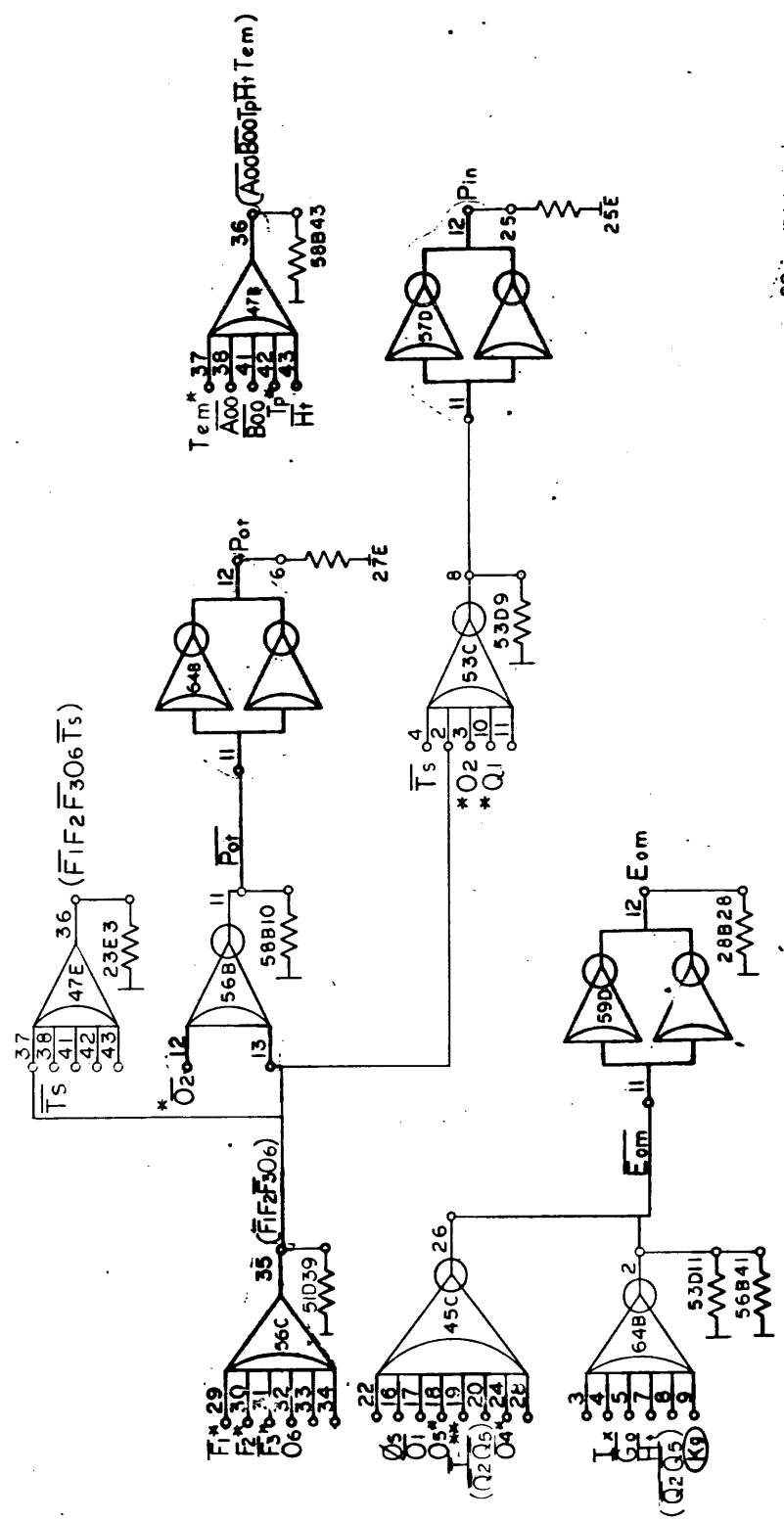
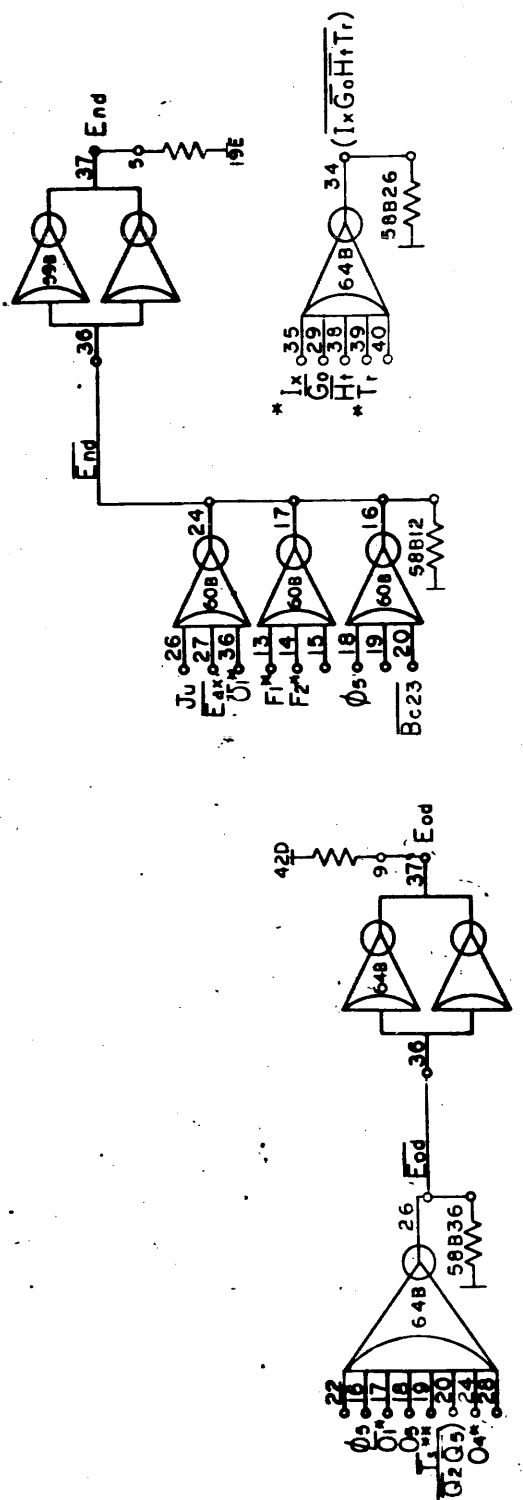
**SDS**  
SYSTEMS DATA CENTER

DIAGRAM, LOGIC  
COMPUTER

930	106407	K
-----	--------	---

106407/K





93C  
PAGE 69  
A

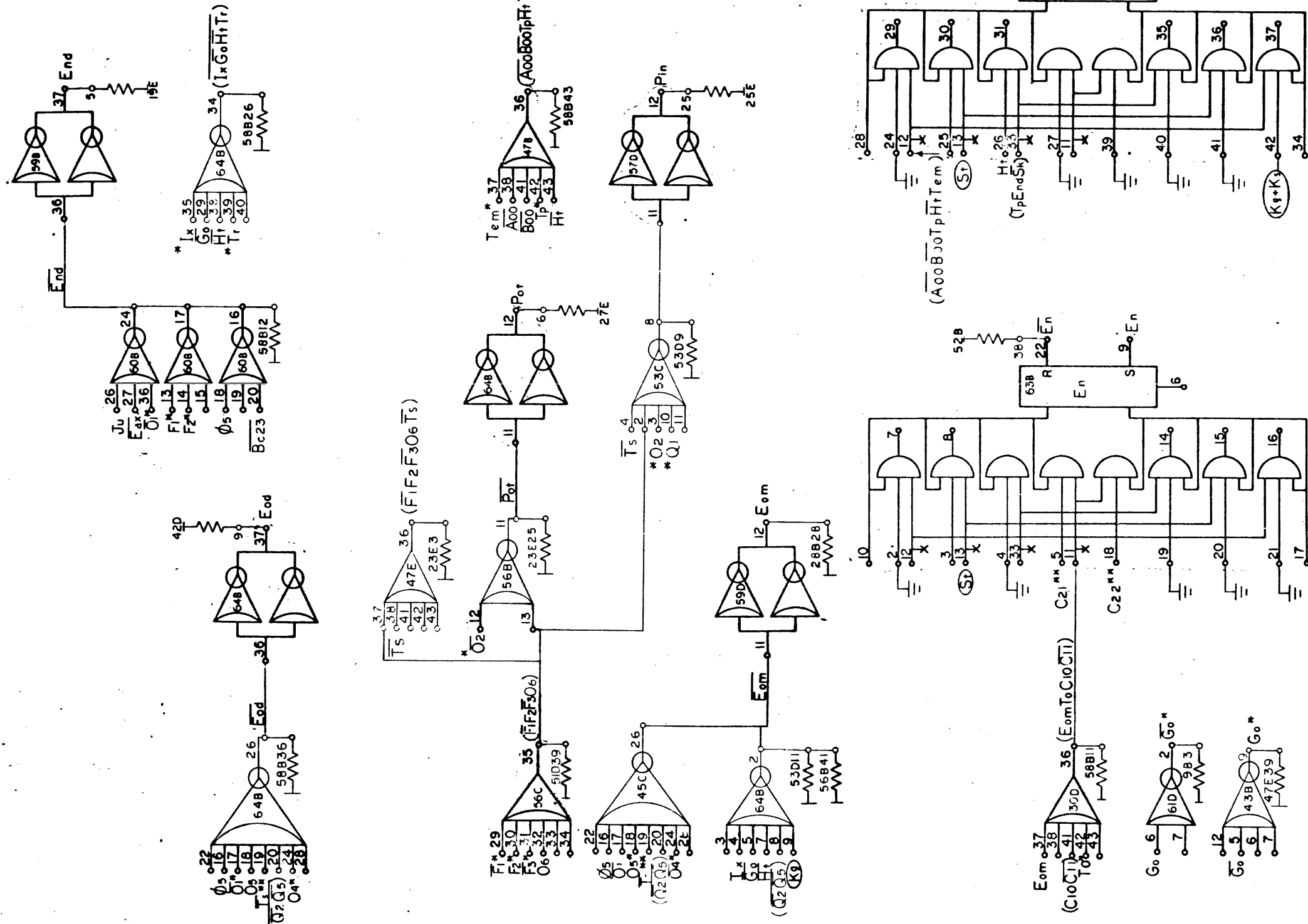
REVISIONS				106407	A
REV.	DESCRIPTION	CHK.	DATE	APPROVED	
A	RELEASED TO MFG		7/1/69		

DIAGRAM, LOGIC COMPUTER

93C	106407	A
SCALE	DO NOT SCALE DRAWING	SHEET

106407/A



93C  
PAGE 69

REVISIONS			
REV.	DESCRIPTION	CHK.	DATE
A	PARALLEL TO M/S		7/2/69
J	SEE REV E0		

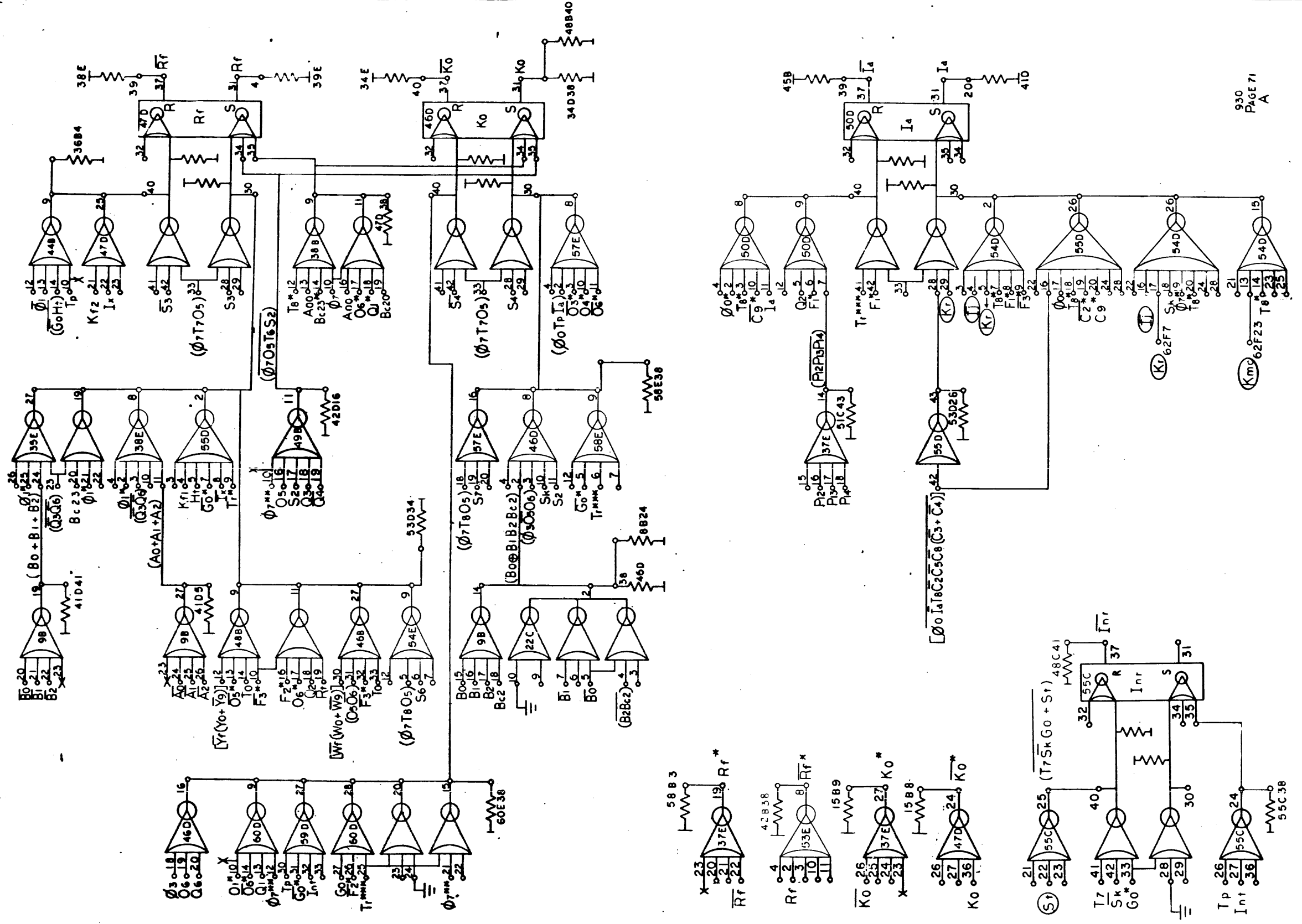
106407 J

TITLE DIAGRAM, LOGIC COMPUTER			
93C	SIZE	DWG. NO. 106407	CHANGE LETTER J
SCALE	DO NOT SCALE DRAWING		SHEET 69

106407 J







REVISIONS			
REV	DESCRIPTION	CHK	DATE
A	RELEASED TO 11/69	SP	11/69

106407 A

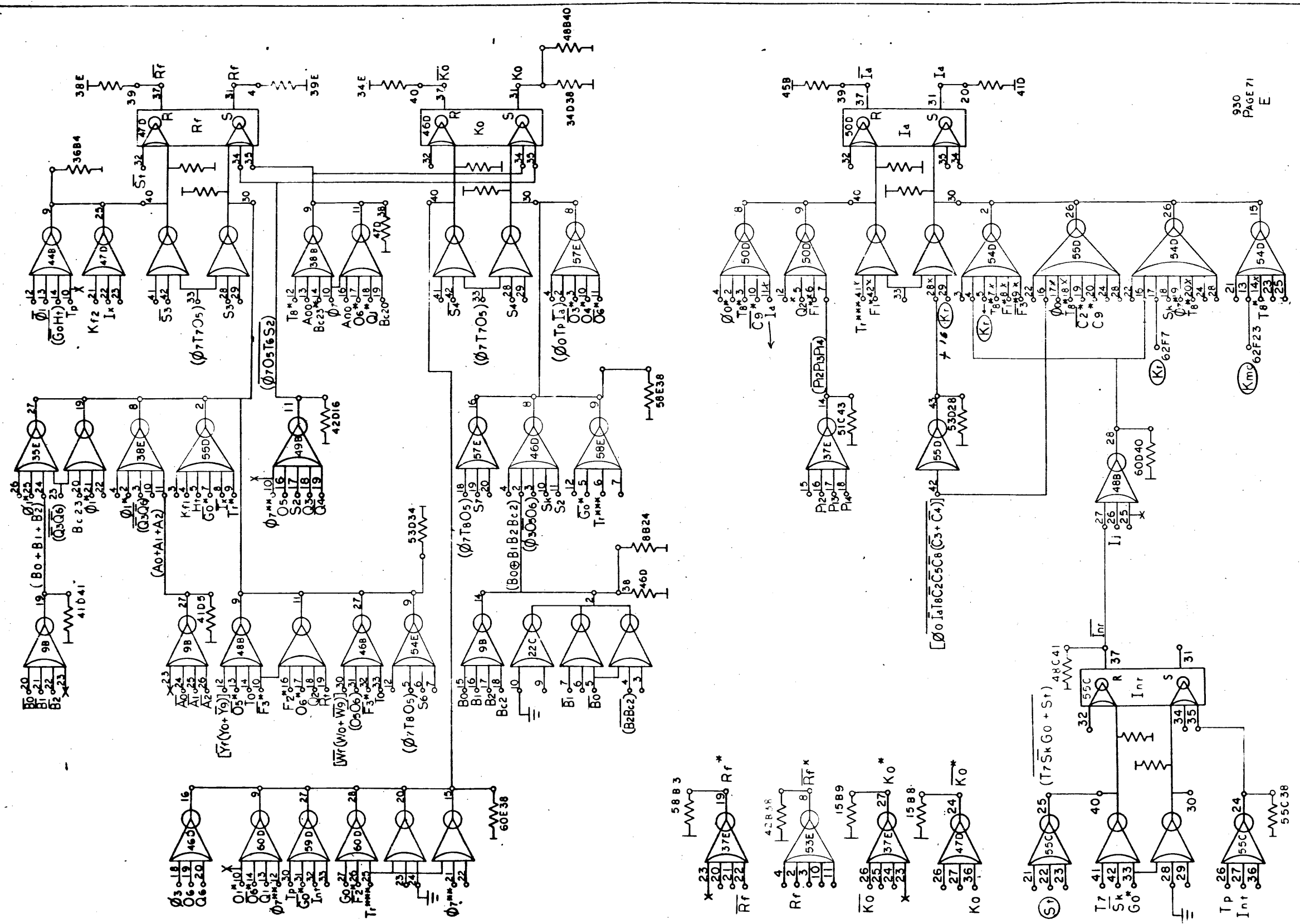
930 PAGE 71 A

106407A



DIAGRAM, LOGIC COMPUTER

930	106407	A
-----	--------	---



930  
PAGE 71  
E

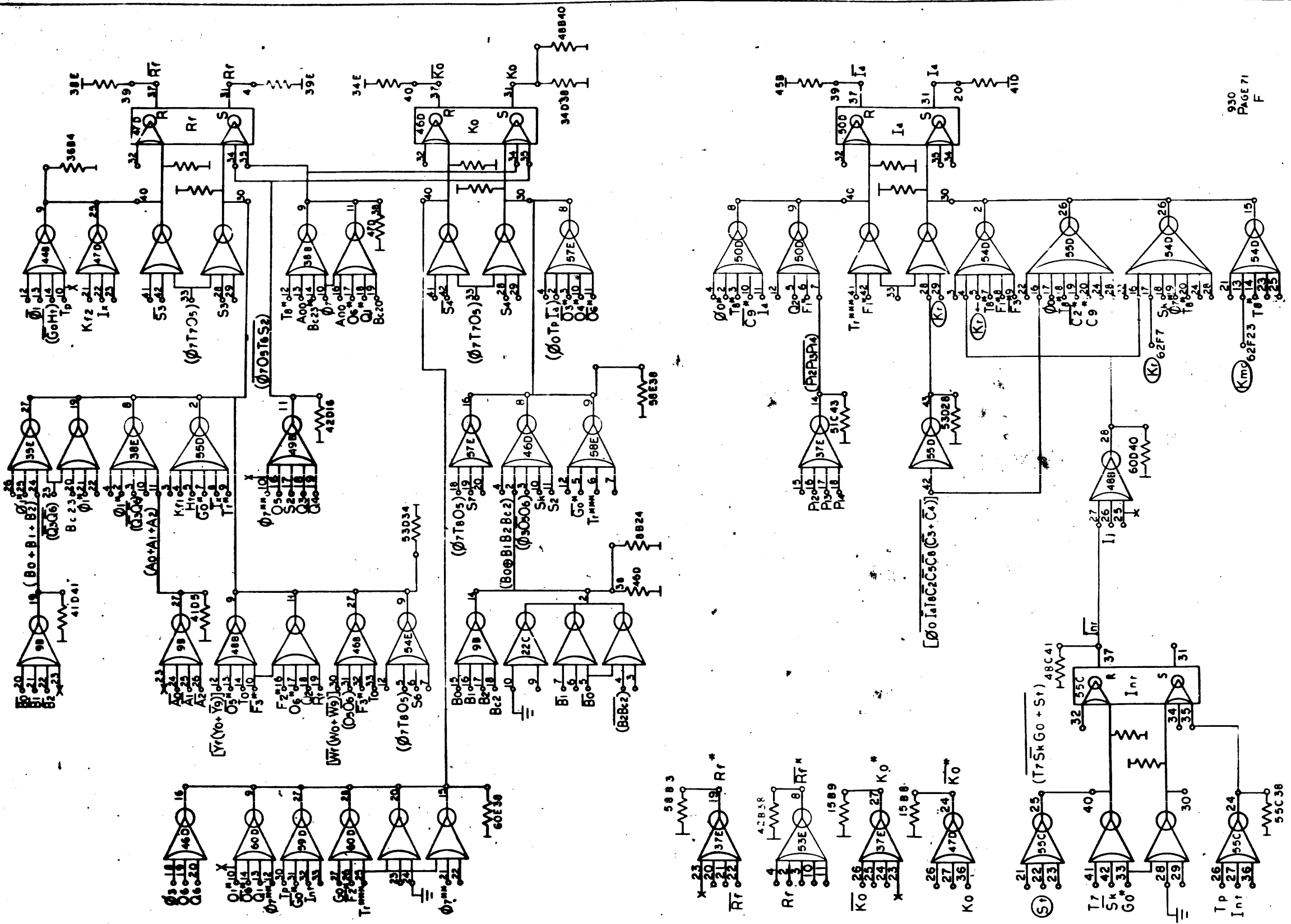
REVISIONS				106407	E
REV	DESCRIPTION	CHK	DATE	APPROVED	
A	RELEASED TO MFG	542	5/16		
B	SEE REV E0				
E	SEE REV E0				

**SDS**  
SYSTEM DATA SYSTEMS  
SANTA ANITA, CALIFORNIA

DIAGRAM, LOGIC  
COMPUTER

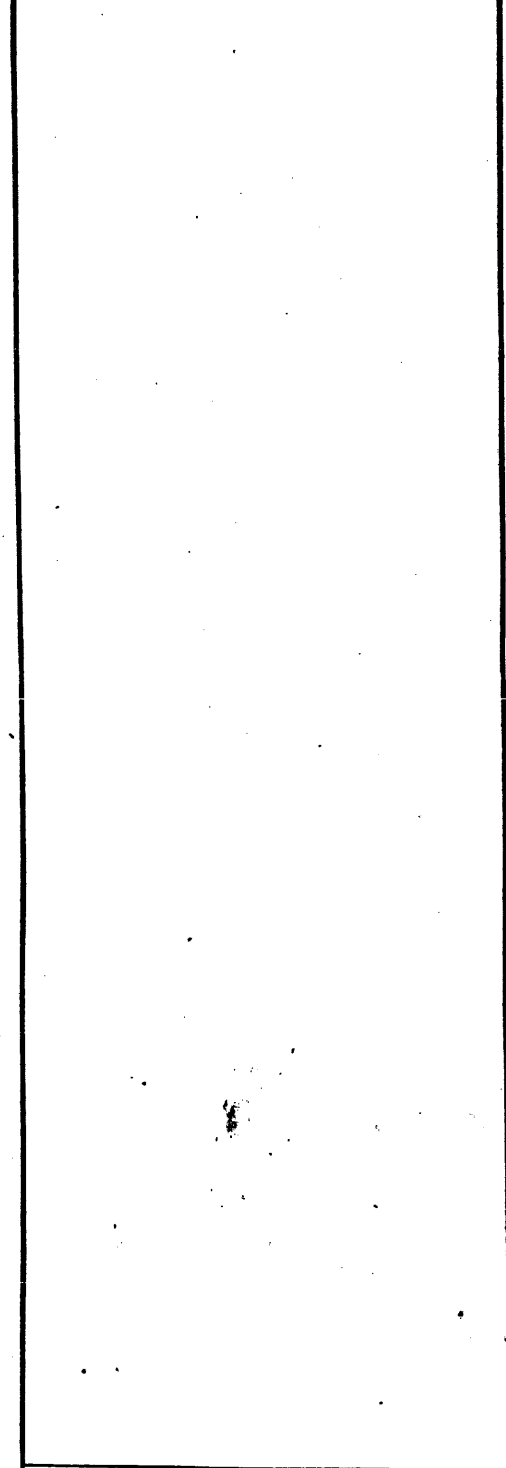
930	106407	E
-----	--------	---

106407E



930  
PAGE 71  
F

REVISIONS			
REV	DESCRIPTION	CHK	DATE
A	ILLUSTRATED TO MFG		
B	SEE REV E0		
E	SEE REV E0		
F	SEE REV E0		



106407F

**SDB**  
SCIENTIFIC DATA SYSTEMS  
DATA PROCESSING DIVISION

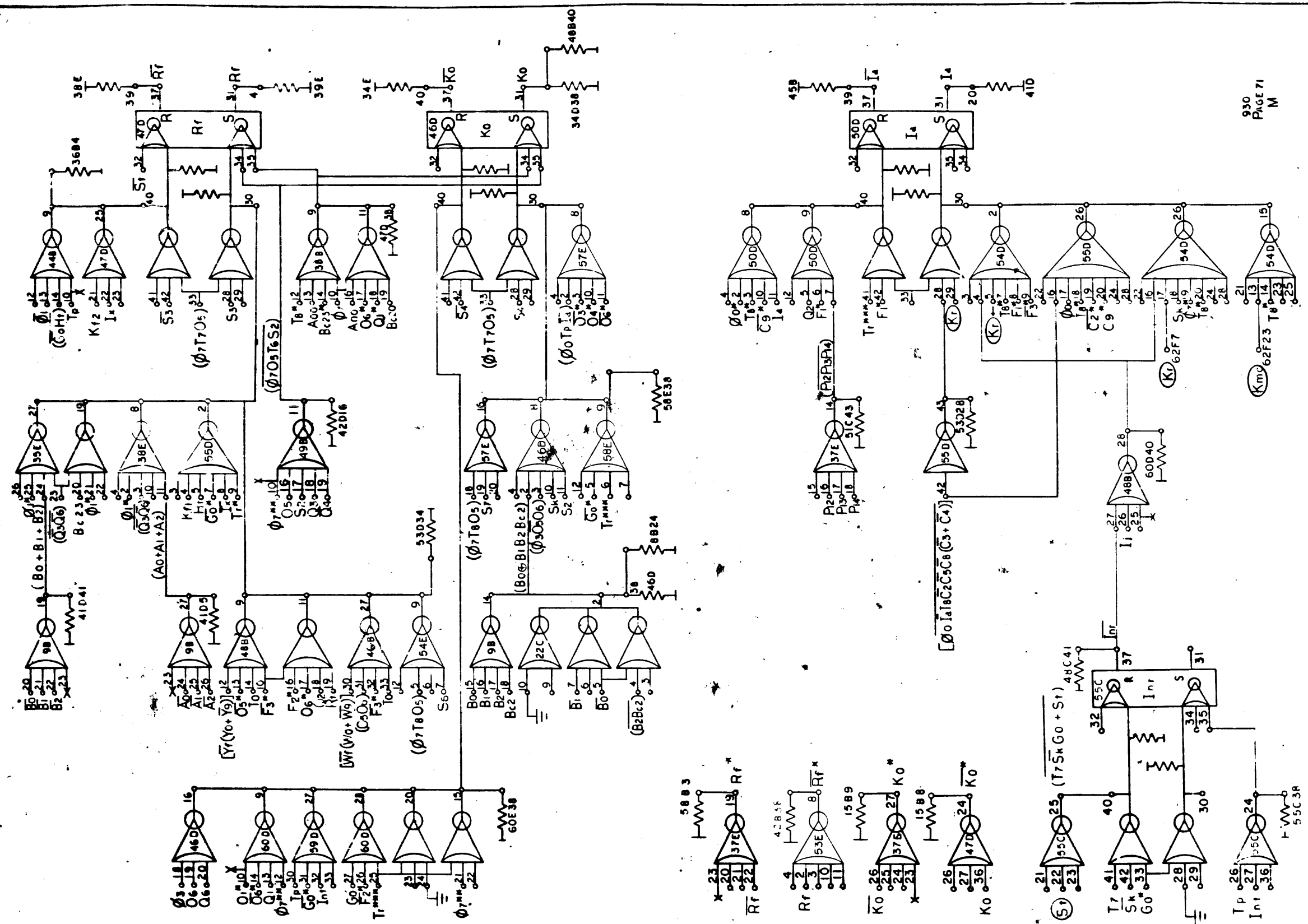
DIAGRAM, LOGIC  
COMPUTER

930	106407	F
-----	--------	---

REVISIONS			
REV.	DESCRIPTION	CHK.	DATE
A	RELEASED TO USER		
B	SEE REV E0		
F	SEE REV E0		
F	SEE REV E0		
M	SEE REV E0		

106407 J

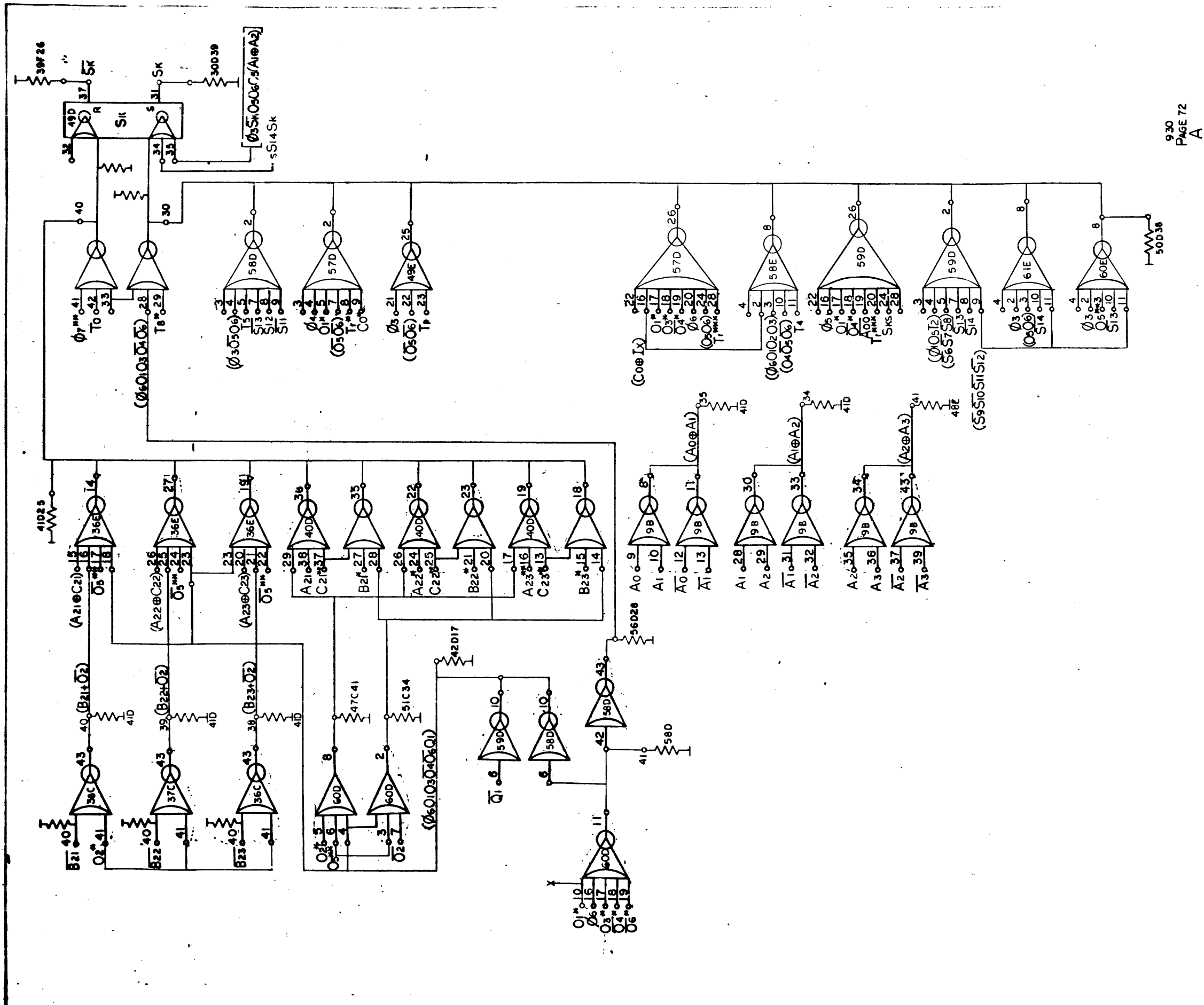
930  
PAGE 71  
M



DIAGRAM, LOGIC  
COMPUTER

930 106407 M






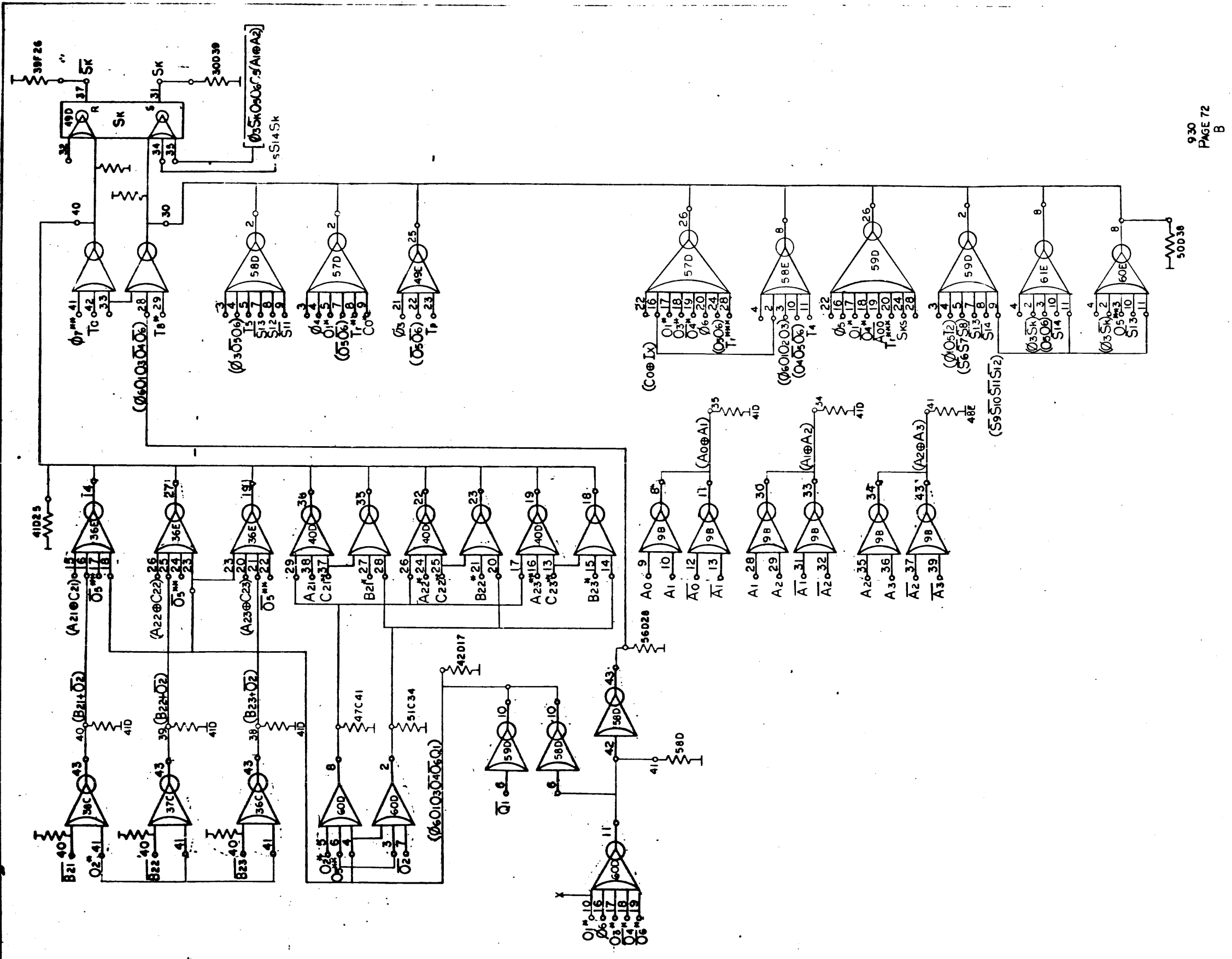
930  
PAGE 72  
A

REVISIONS				106407 A	
REV	DESCRIPTION	CHK	DATE	APPROVED	
A	RELEASED TO YFG	YFG	2/10/68	2/10/68	

 JDS SCIENTIFIC DATA SYSTEMS SANTA MONICA, CALIFORNIA					
TITLE <b>DIAGRAM, LOGIC COMPUTER</b>					
930	REV. NO.	106407		REVISED	BY
SCALE	DO NOT SCALE DRAWING			SHEET	A

106407A



930  
PAGE 72  
B

REVISIONS			
REV	DESCRIPTION	CHK	DATE
A	-RELEASED TO MFG		
B	SEE REV E0		

106407 B

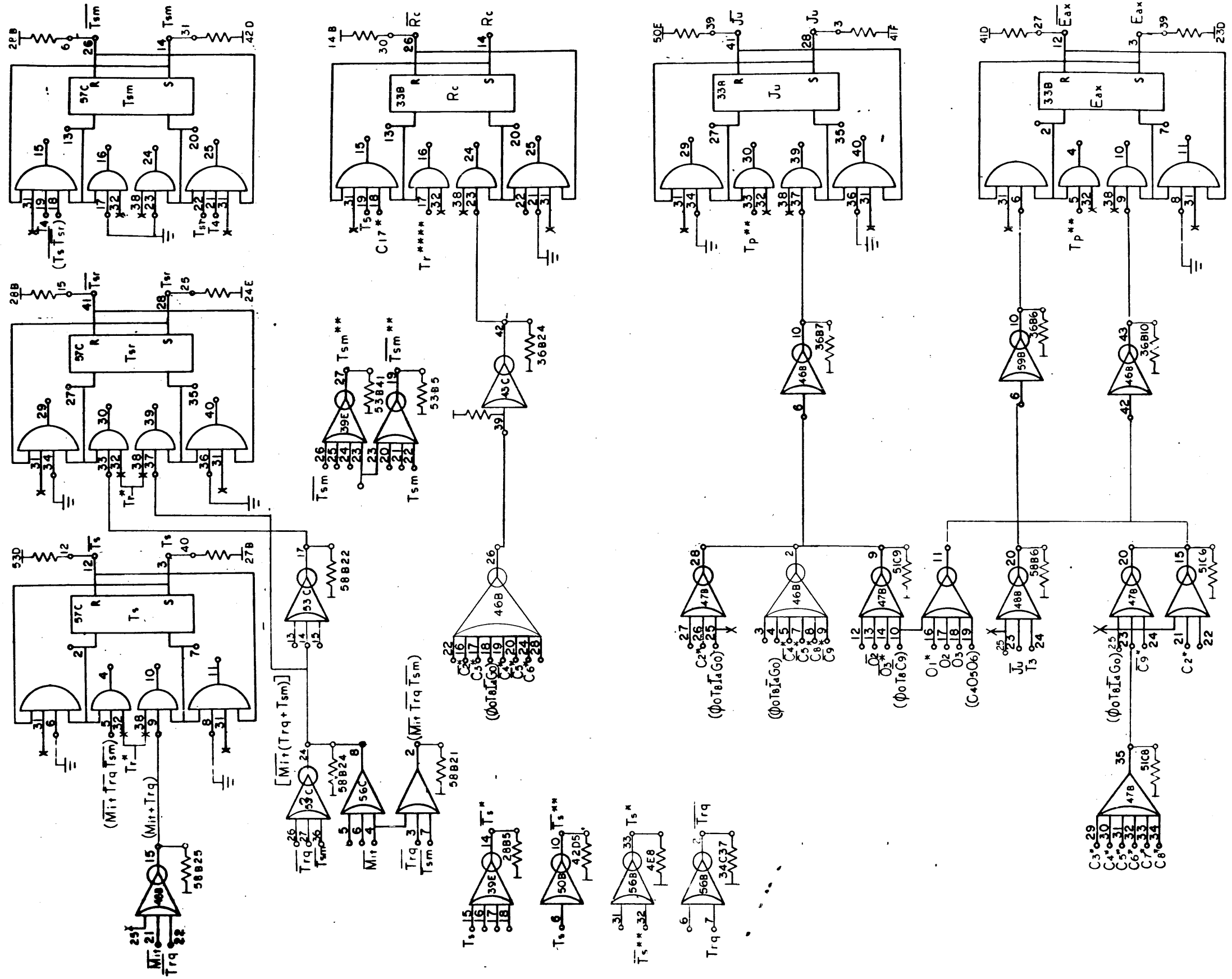
**SDS**  
SCIENTIFIC DATA SYSTEMS  
SANTA MONICA, CALIFORNIA

TITLE  
**DIAGRAM, LOGIC  
COMPUTER**

930	REV. NO.	106407	ISSUED	B
SCALE		DO NOT SCALE DRAWING	SHEET 72	

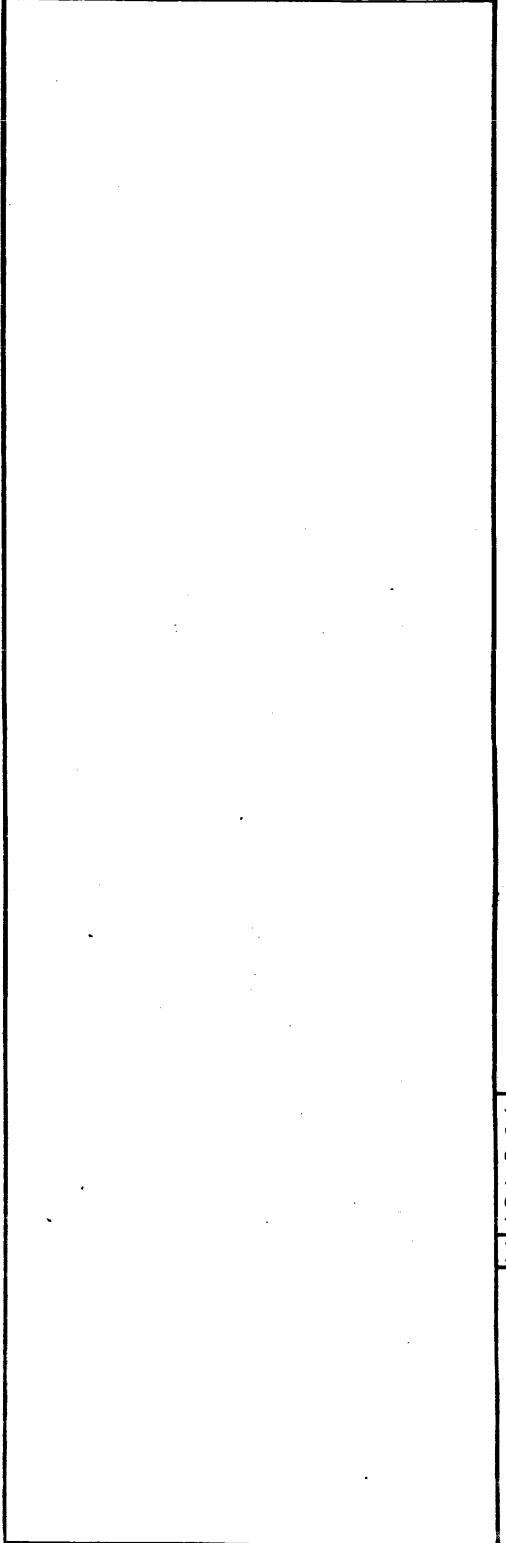
106407/B





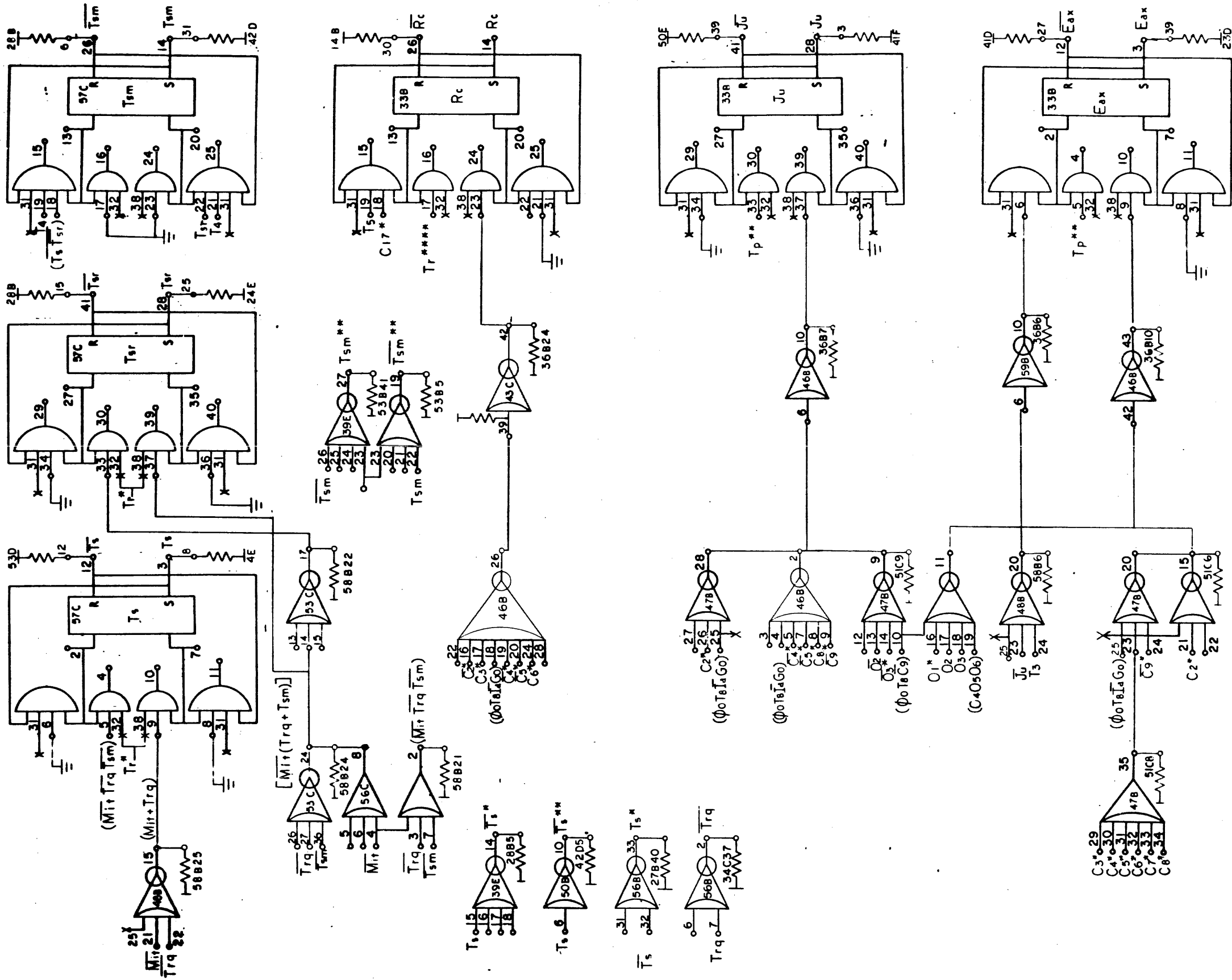
930  
PAGE 73  
A

REVISIONS			
REV	DESCRIPTION	CHK	DATE
A	RELEASED TO MFG		



<b>SDS</b> SCIENTIFIC DATA SYSTEMS SANTA MONICA, CALIFORNIA	
TITLE <b>DIAGRAM, LOGIC COMPUTER</b>	
930	106407
SCALE	SHEET

106407A



930  
PAGE 73  
B

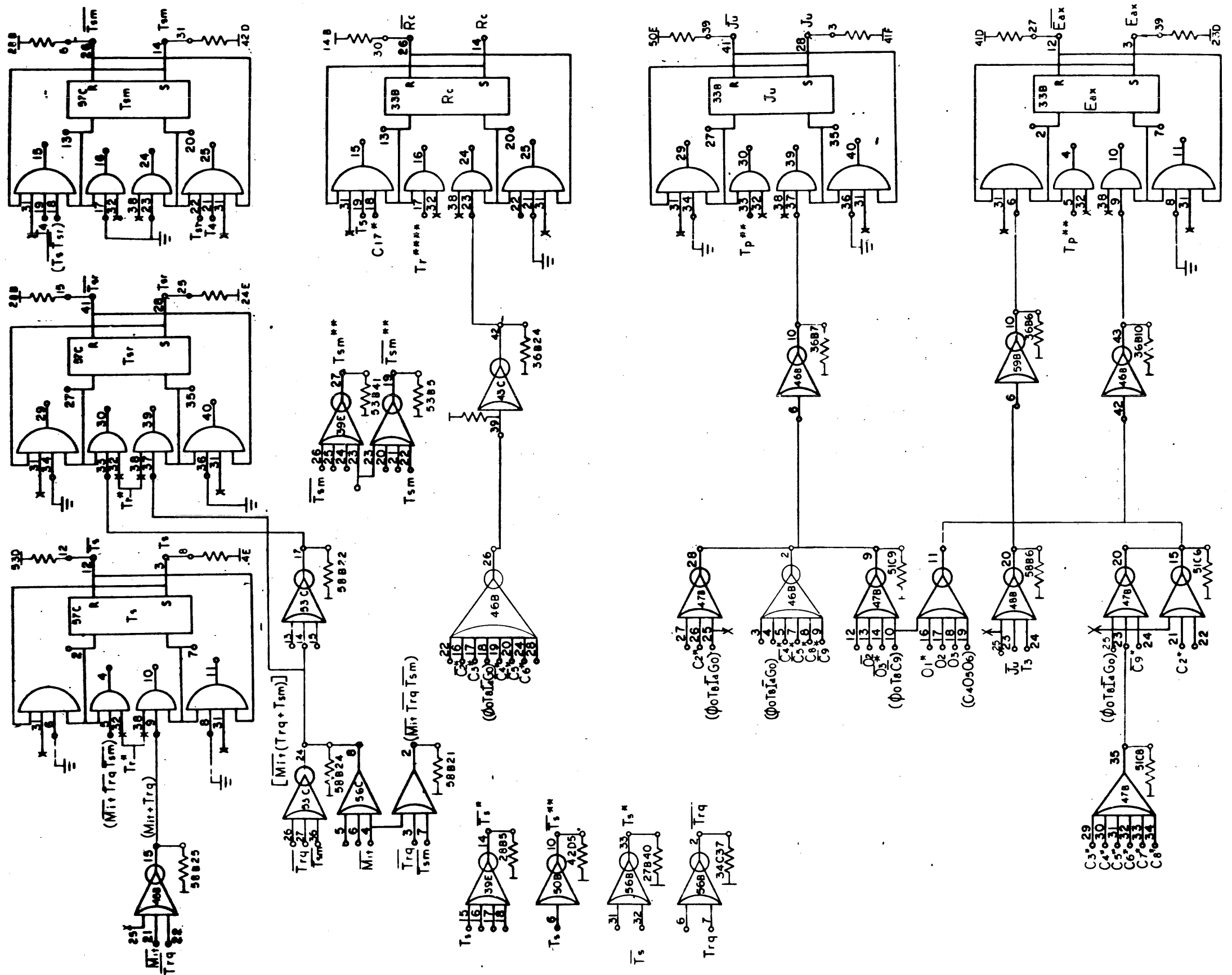
REVISIONS		106407		B
REV	DESCRIPTION	CHK	DATE	APPROVED
A	RELEASED TO MFG	SP	2.4	JMR
B	SEE REV E0			

**SDS**  
SCIENTIFIC DATA SYSTEMS  
SANTA MONICA, CALIFORNIA

DIAGRAM, LOGIC  
COMPUTER

930	106407	B
DO NOT SCALE DRAWING		INSEE 73

106407/B



930  
PAGE 73  
G

REVISIONS				106407
REV	DESCRIPTION	CHK	DATE	APPROVED
A	RELEASED TO MFG			
B	SEE REV E0			
G	SEE REV E0			

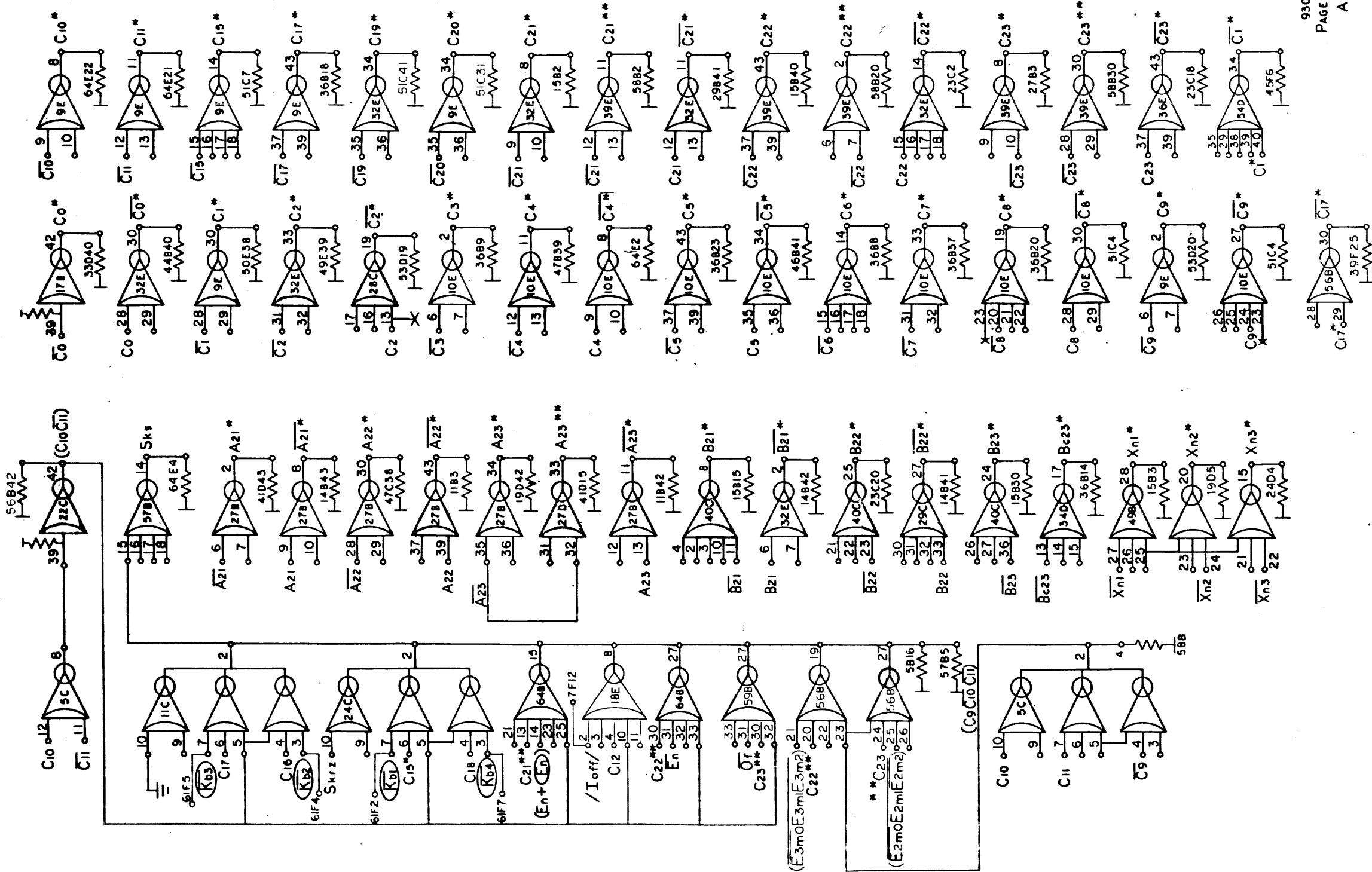
**SDB**  
SCIENTIFIC DATA SYSTEMS  
DATA PROCESSING SOLUTIONS

DIAGRAM, LOGIC  
COMPUTER

930	106407	G
SCALE DO NOT SCALE DRAWING SHEET		

106407G





930  
PAGE 74  
A

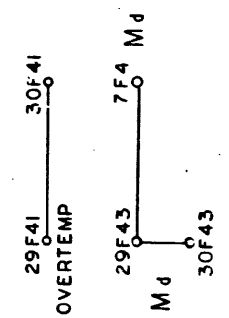
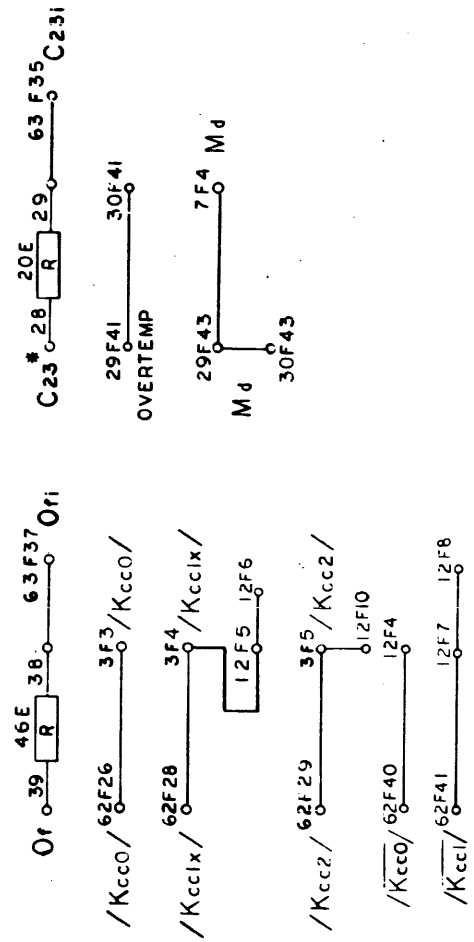
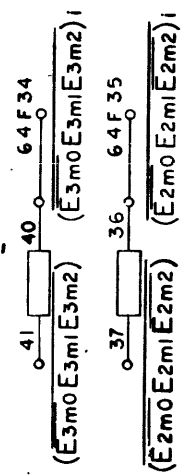
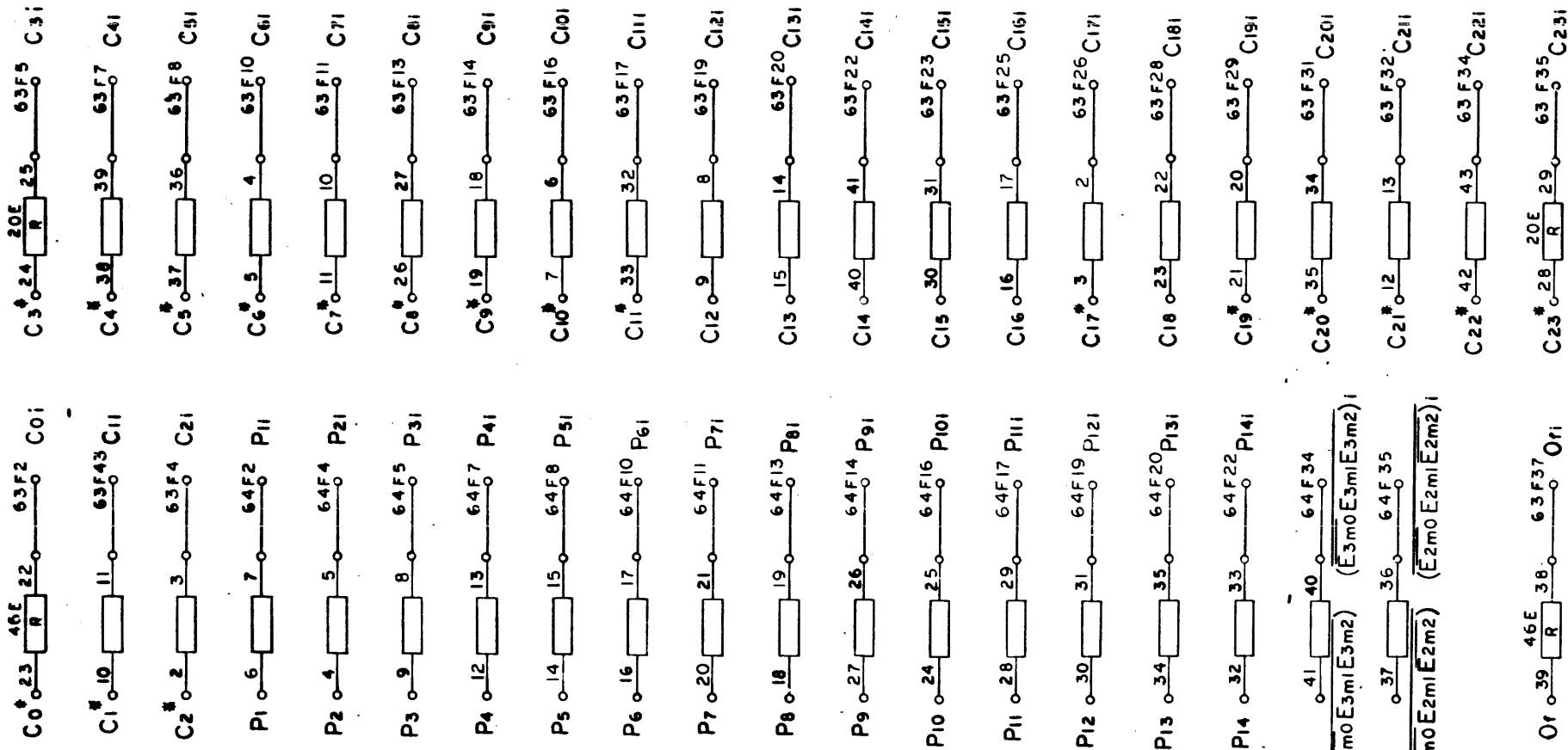
REVISIONS				106407	A
REV.	DESCRIPTION	CHK.	DATE	APPROVED	
A	RELEASED TO 146				



TITLE  
DIAGRAM, LOGIC COMPUTER

930	DWG. NO.	106407	ISSUED	A
SCALE		DO NOT SCALE DRAWING		SHEET

1106407/A



930  
PAGE 75  
A

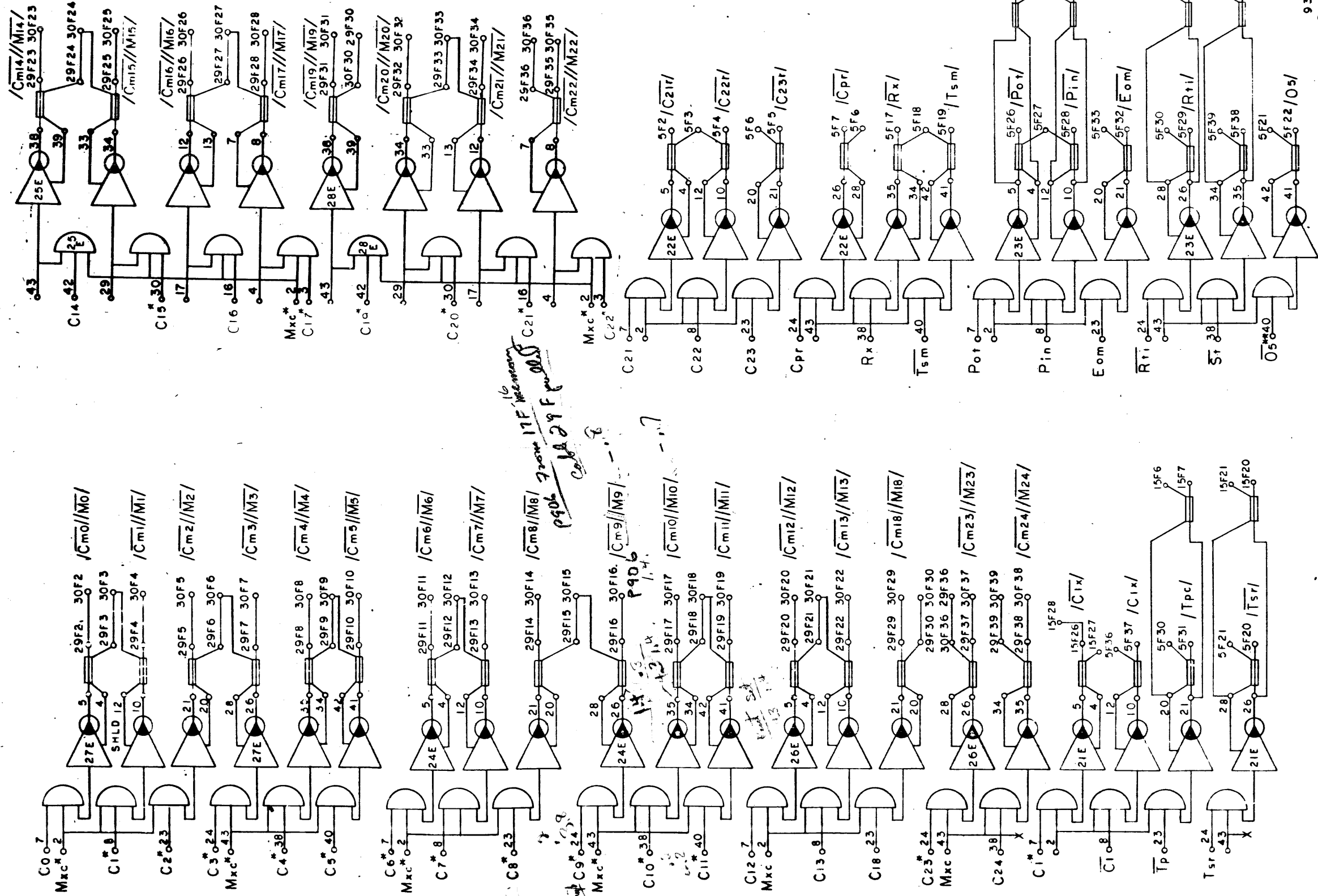
REVISIONS			
REV	DESCRIPTION	CHK	DATE
A	RELEASED TO MFG	SH	2/16/64

106407 A




TITLE DIAGRAM, LOGIC COMPUTER			
930	SIZE	DWG. NO. 106407	DESIGN LETTER A
SCALE	DO NOT SCALE DRAWING		SHEET

106407/A



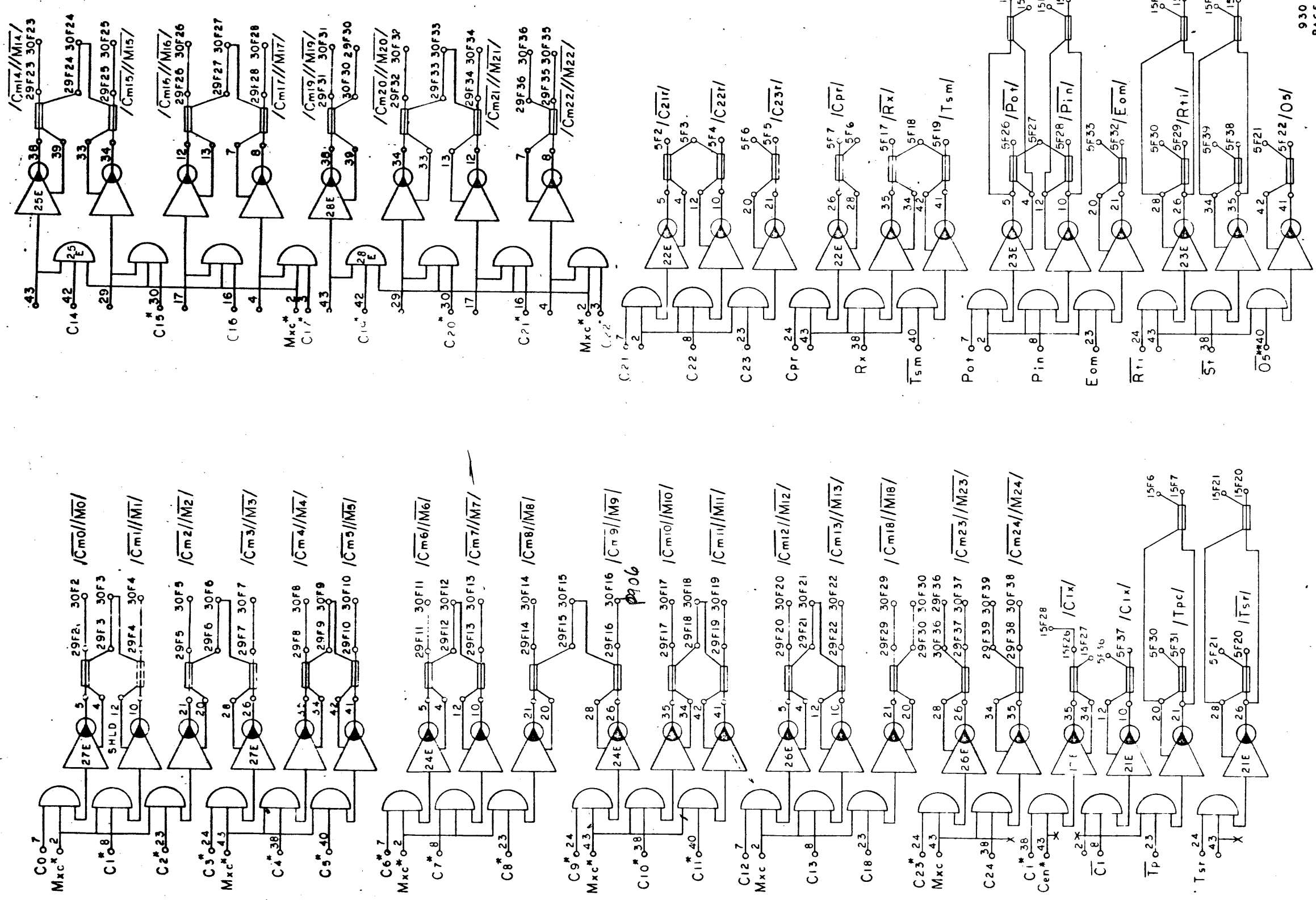
930  
PAGE 76  
A

REVISIONS				106407	A
REV.	DESCRIPTION	CHK.	DATE	APPROVED	
A	RELEASED TO P/F6	SE	8/12/66	RAM	


  
 DIAGRAM, LOGIC COMPUTER

930	106407	A
-----	--------	---

106407/A



930  
PAGE 76  
J

REVISIONS			
REV.	DESCRIPTION	CHK.	DATE
A	RELEASED TO MFG		
J	SEE REV E0		

106407 J

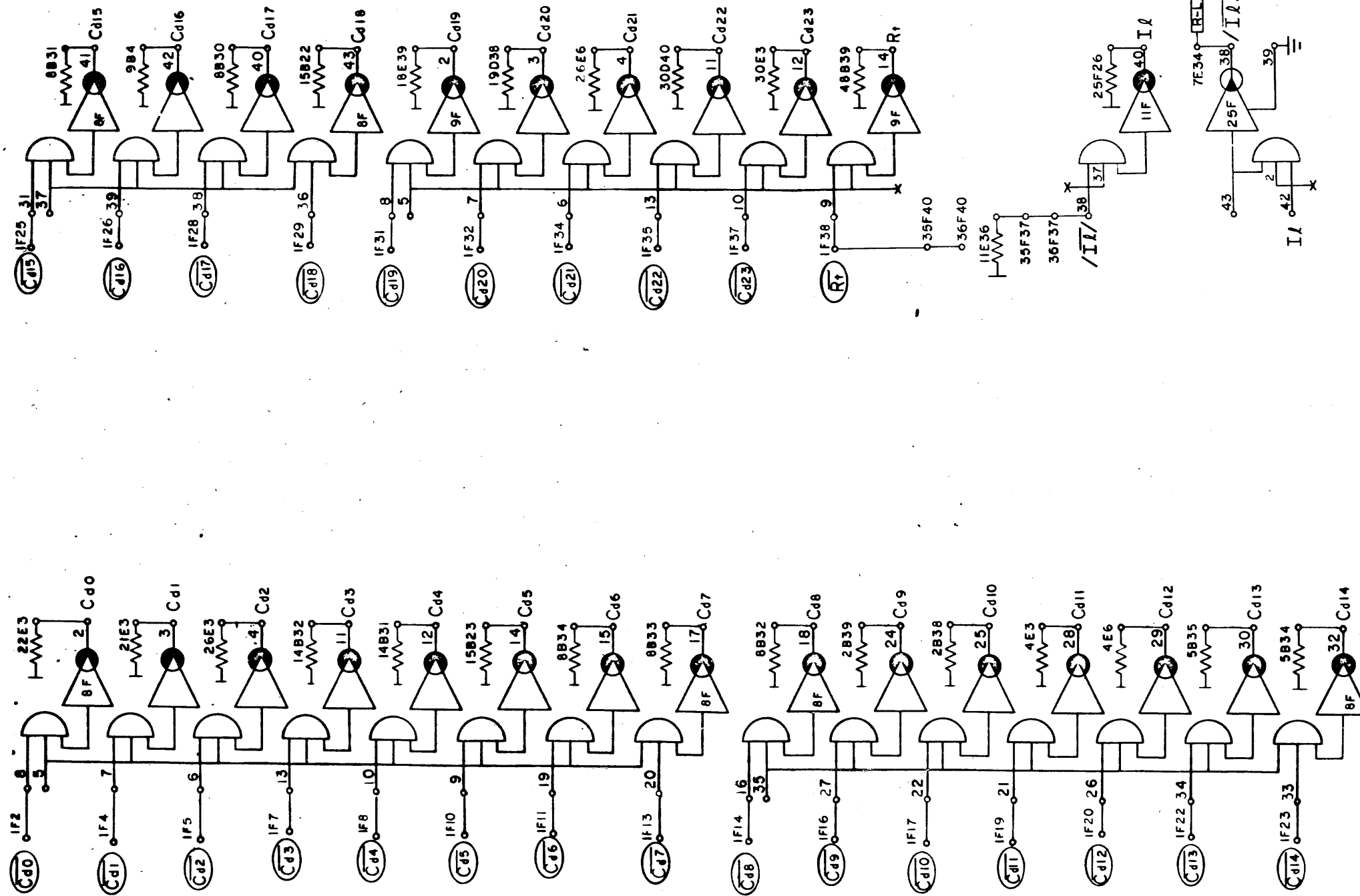
**SDS**  
SCIENTIFIC DATA SYSTEMS  
SANTA MONICA, CALIFORNIA

TITLE  
**DIAGRAM, LOGIC  
COMPUTER**

930	DWG NO. <b>106407</b>	CHANGE LETTER <b>J</b>
SCALE	DO NOT SCALE DRAWING	SHEET <b>76</b>

106407/J





930  
PAGE 77  
A

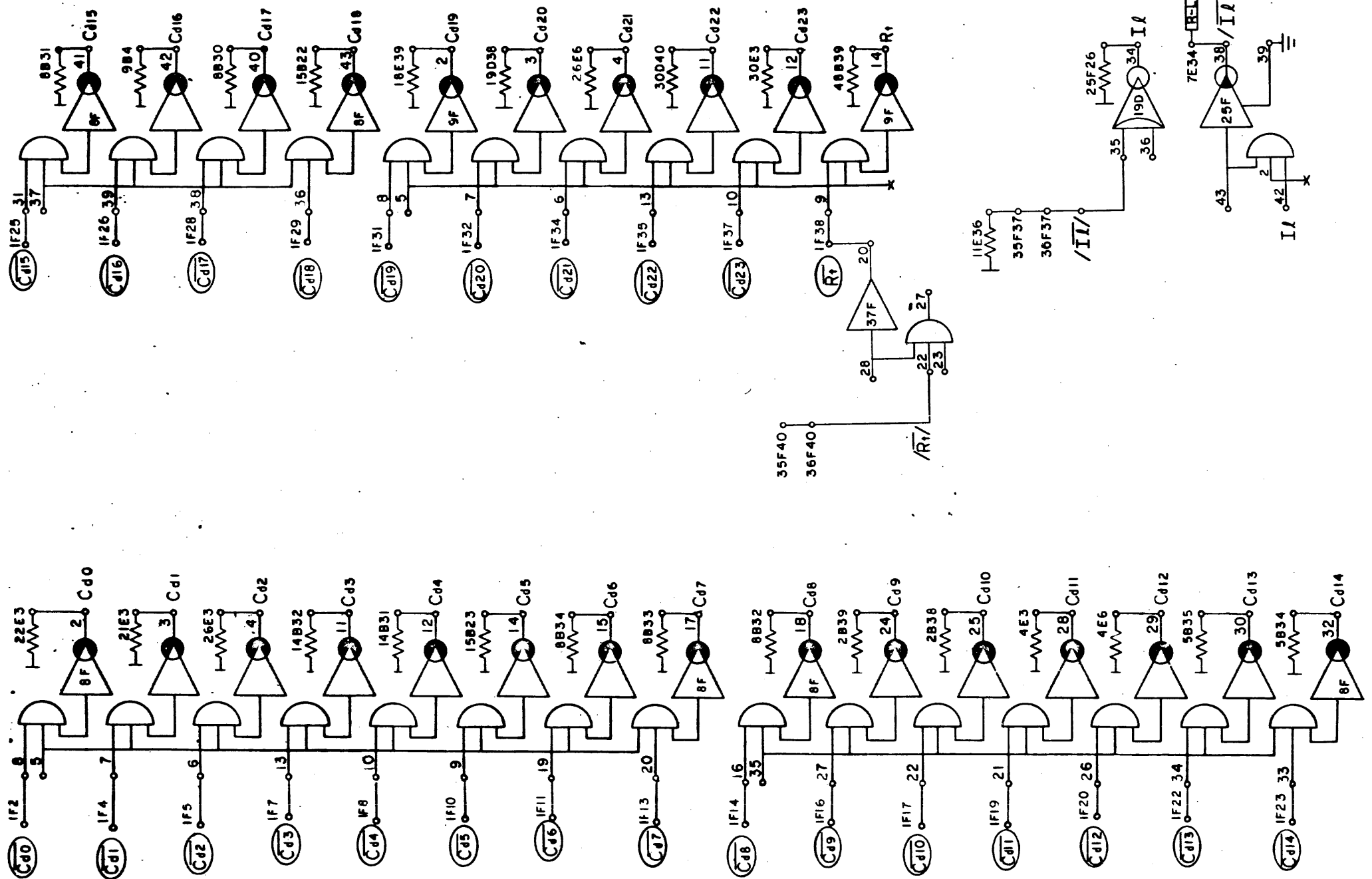
REVISIONS				106407	A
REV	DESCRIPTION	CHE	DATE	APPROVED	
A	RELEASE TO VFG				

**SDB**  
SYSTEMS DESIGN BUREAU  
COMMERCIAL SYSTEMS CORPORATION

DIAGRAM, LOGIC  
COMPUTER

930	106407	A
SCALE	DO NOT SCALE DRAWING	ENGR

106407/A



930  
PAGE 77  
H

REVISIONS			106407	H
REV.	DESCRIPTION	CHK.	DATE	APPROVED
A	RELEASED TO MFG	EJE	3/4/68	[Signature]
B	SEE REV E0			
H	SEE REV E0			

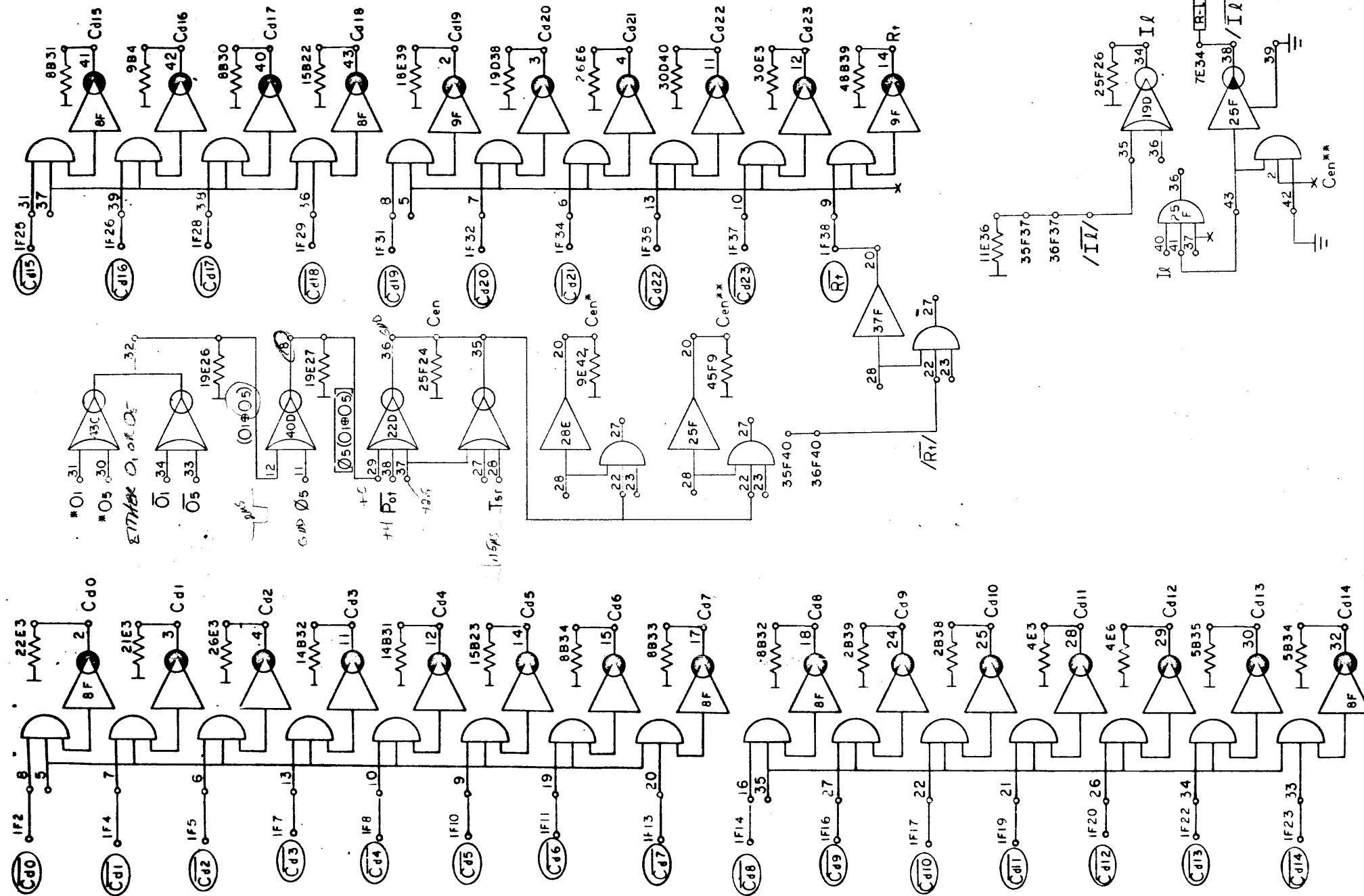
123 456  
200-200  
2

**SDS**  
SCIENTIFIC DATA SYSTEMS  
SANTA MONICA, CALIFORNIA

DIAGRAM, LOGIC  
COMPUTER

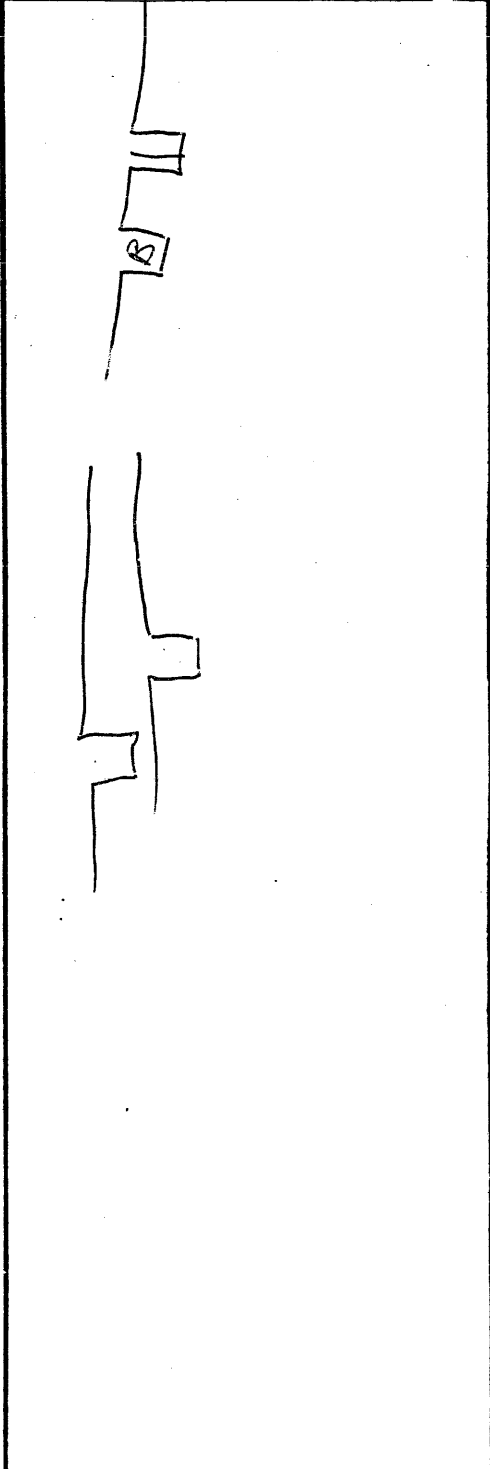
930	106407	H
-----	--------	---

106407/H



950  
PAGE 77  
J

REVISIONS				
REV	DESCRIPTION	CHK	DATE	APPROV
A	FF. 54. 3. 10. WFB			
B	SEE REV E O			
H	SEE REV E O			
J	SEE REV E O			

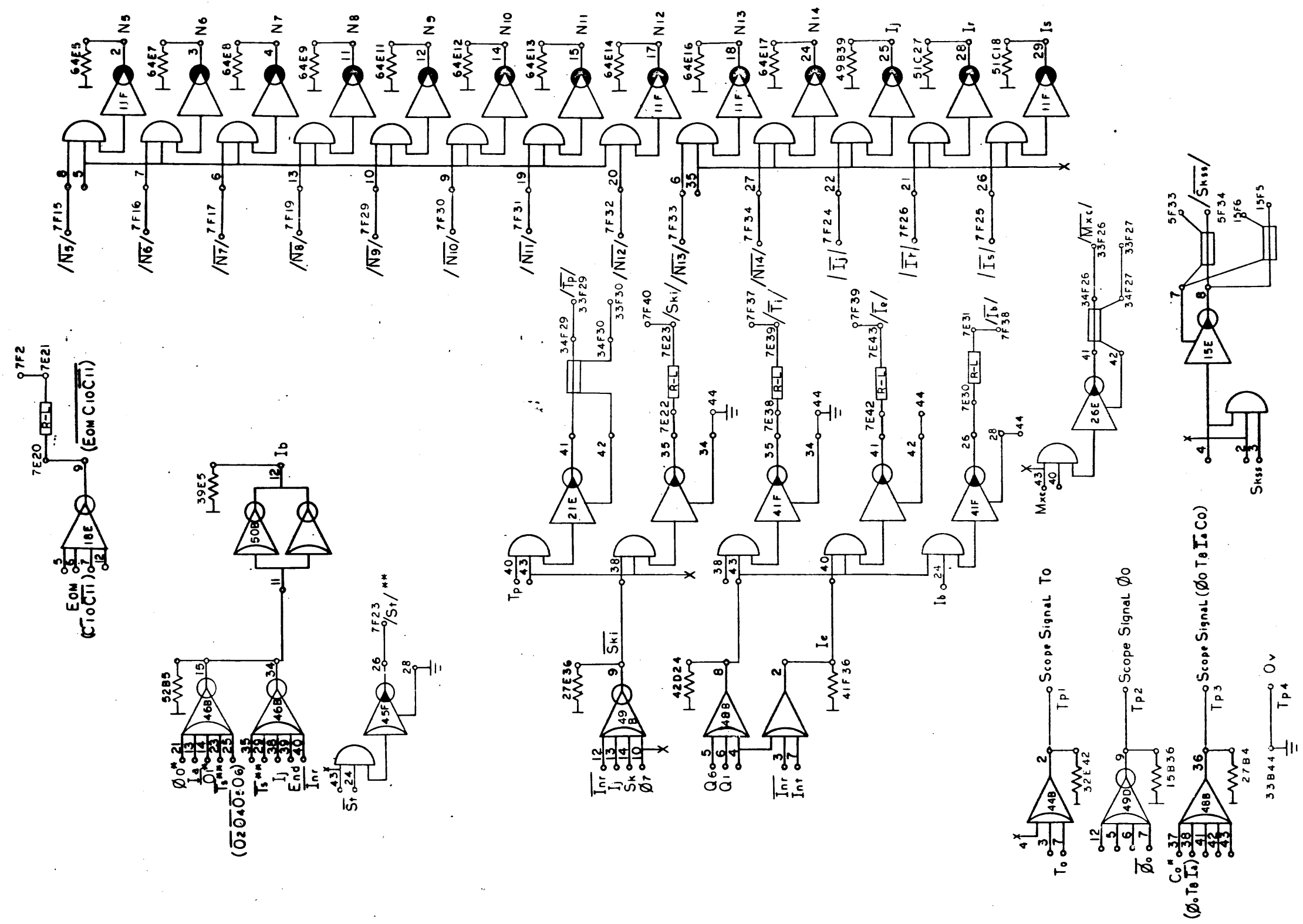


SDS SYSTEMS DATA SYSTEMS SANTA MONICA, CALIFORNIA			
TITLE DIAGRAM, LOGIC COMPUTER			
930	REV	DWG NO. 106407	CHANGE LETTER J
SCALE	DO NOT SCALE DRAWING	DATE	77

106407 J



REVISIONS			106407		A
REV	DESCRIPTION	CHK	DATE	APPROVED	
A	REVISED				



930  
PAGE 78  
A

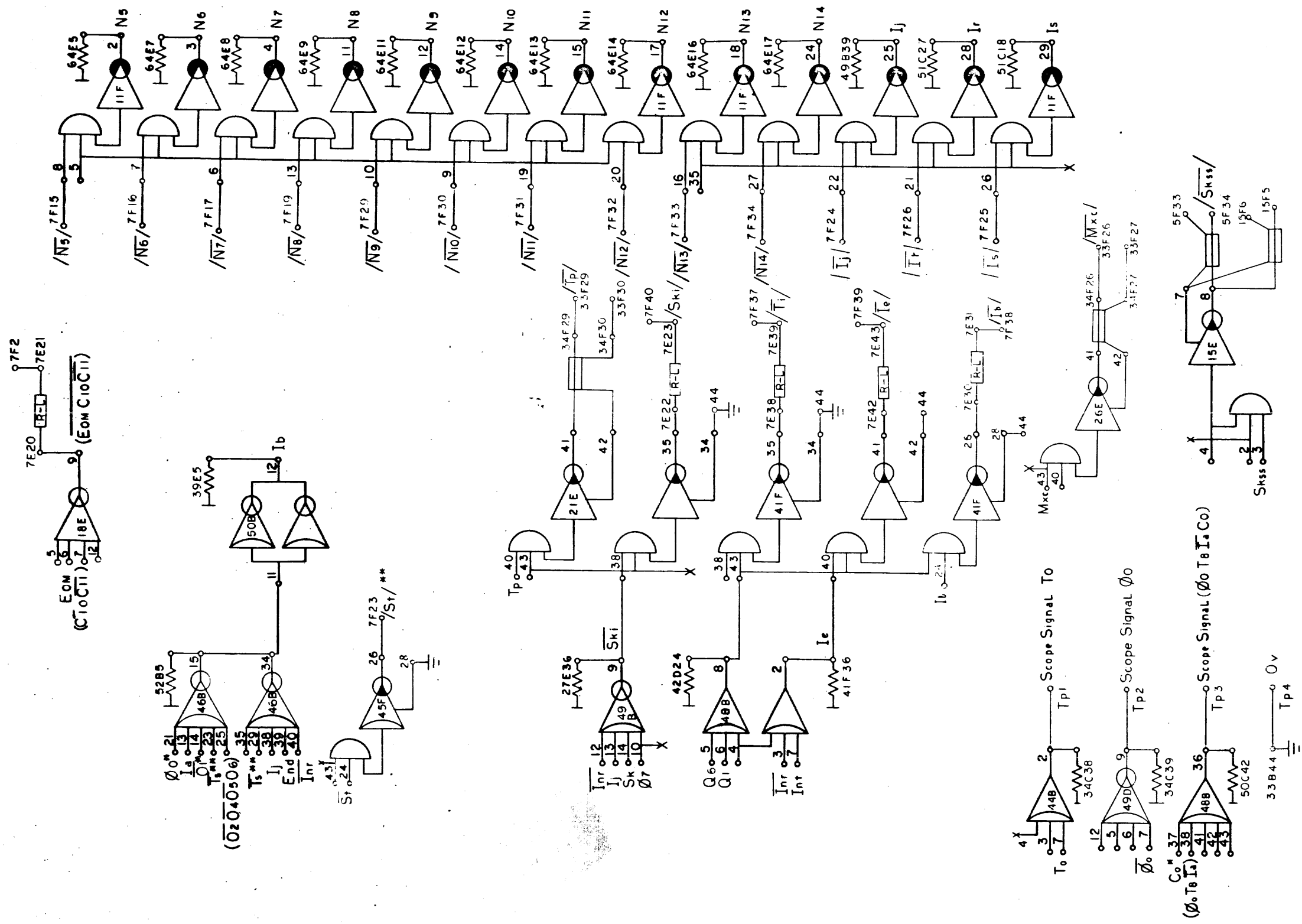
**SDS**  
SCIENTIFIC DATA SYSTEMS  
SANTA MONICA, CALIFORNIA

DIAGRAM, LOGIC  
COMPUTER

930      106407      A

SCALE      DO NOT SCALE DRAWING      SHEET

106407A



930  
PAGE 78  
D

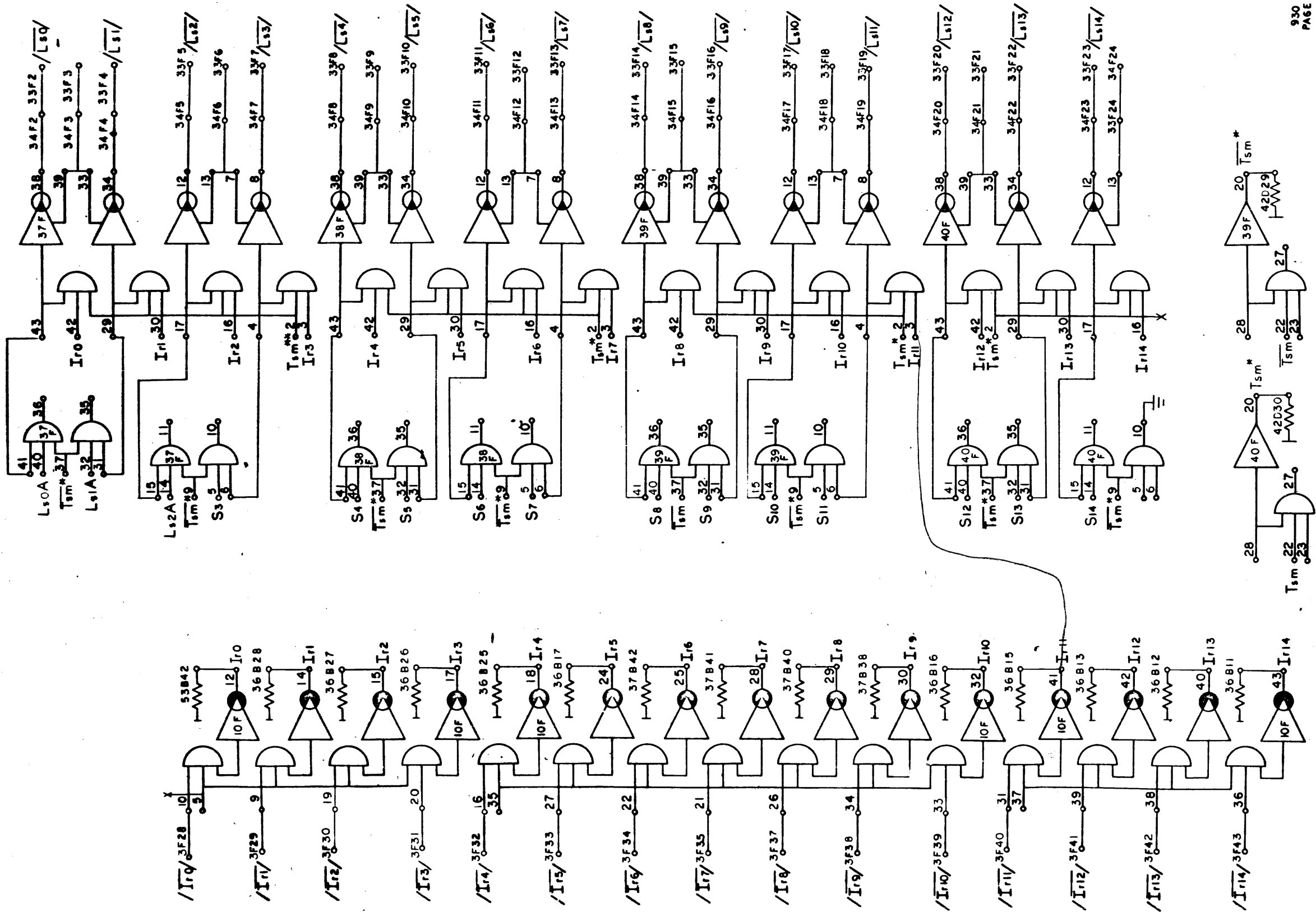
REVISIONS				106407	C
REV	DESCRIPTION	CHK	DATE	APPROVED	
A	SEE REV E0				
B	SEE REV E0				
C	SEE REV E0				

**SDS**  
SCIENTIFIC DATA SYSTEMS  
SANTA MONICA, CALIFORNIA

TITLE  
**DIAGRAM, LOGIC  
COMPUTER**

930	DWG. NO. <b>106407</b>	ISSUE <b>D</b>
SCALE	DO NOT SCALE DRAWING	SHEET 78

106407/D



REVISIONS				106407	A
REV	DESCRIPTION	CHK	DATE	APPROVED	
A	RELEASED TO VES	Dr	1.4	Dr	

930  
PAGE 79  
A

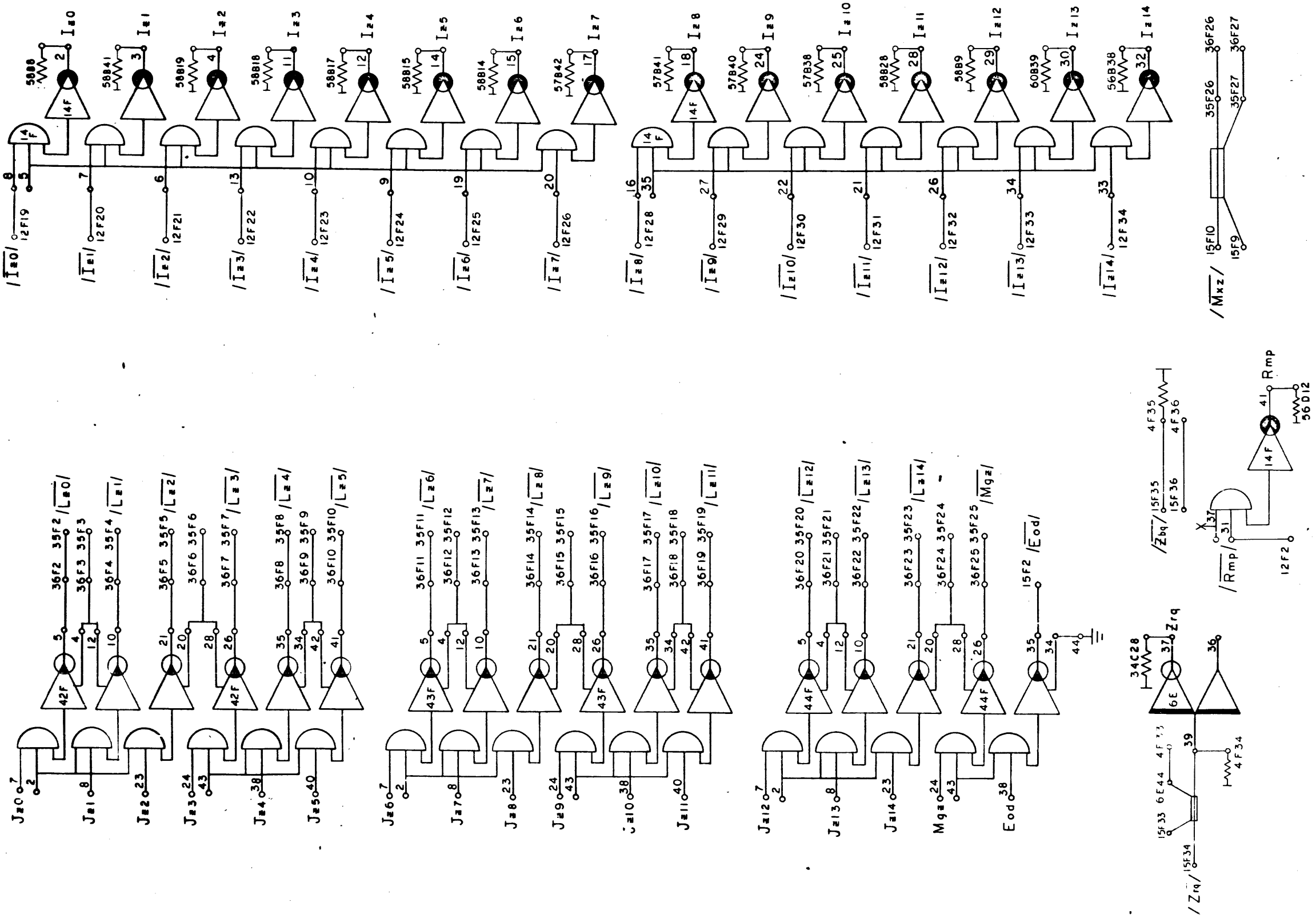
**IBM**  
BUSINESS DATA SYSTEMS

DIAGRAM, LOGIC  
COMPUTER

930	106407	A
-----	--------	---

SCALE DO NOT SCALE DRAWING


106407A



930  
PAGE 80  
A

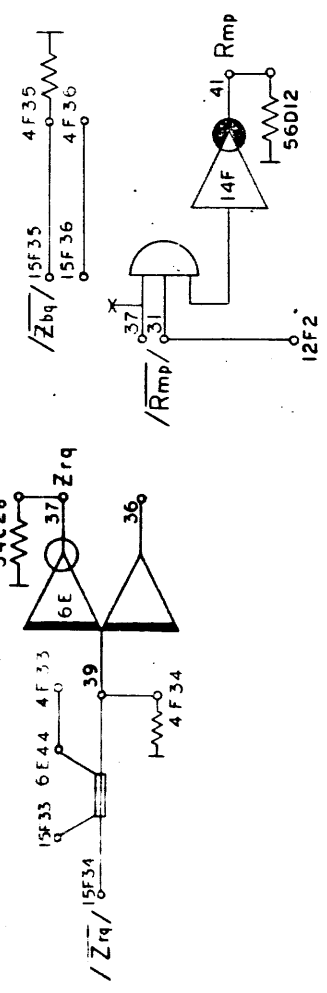
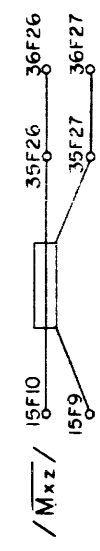
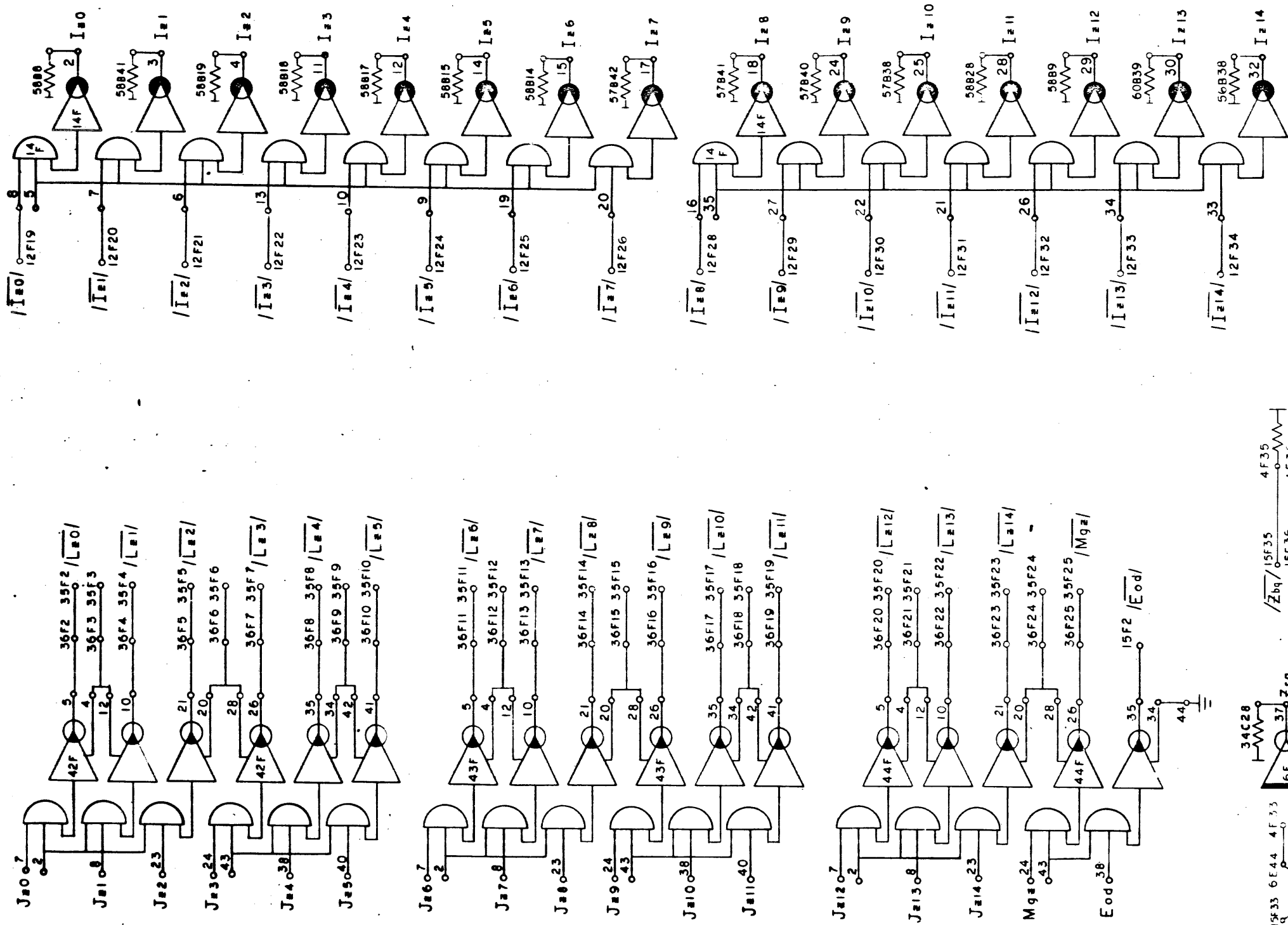
REVISIONS			
REV.	DESCRIPTION	CHK.	DATE
A	RELEASED TO VES		7/69

106407 A

 SCIENTIFIC DATA SYSTEMS SANTA MONICA, CALIFORNIA			
TITLE			
DIAGRAM, LOGIC COMPUTER			
930	REV. NO.	106407	FORM NO.
SCALE	DO NOT SCALE DRAWING	SHR	A

106407/A





930  
PAGE 80  
C

REVISIONS			
REV.	DESCRIPTION	CHK	DATE
A	RELEASED TO IFS		
C	SEE REV E0		

106407 C

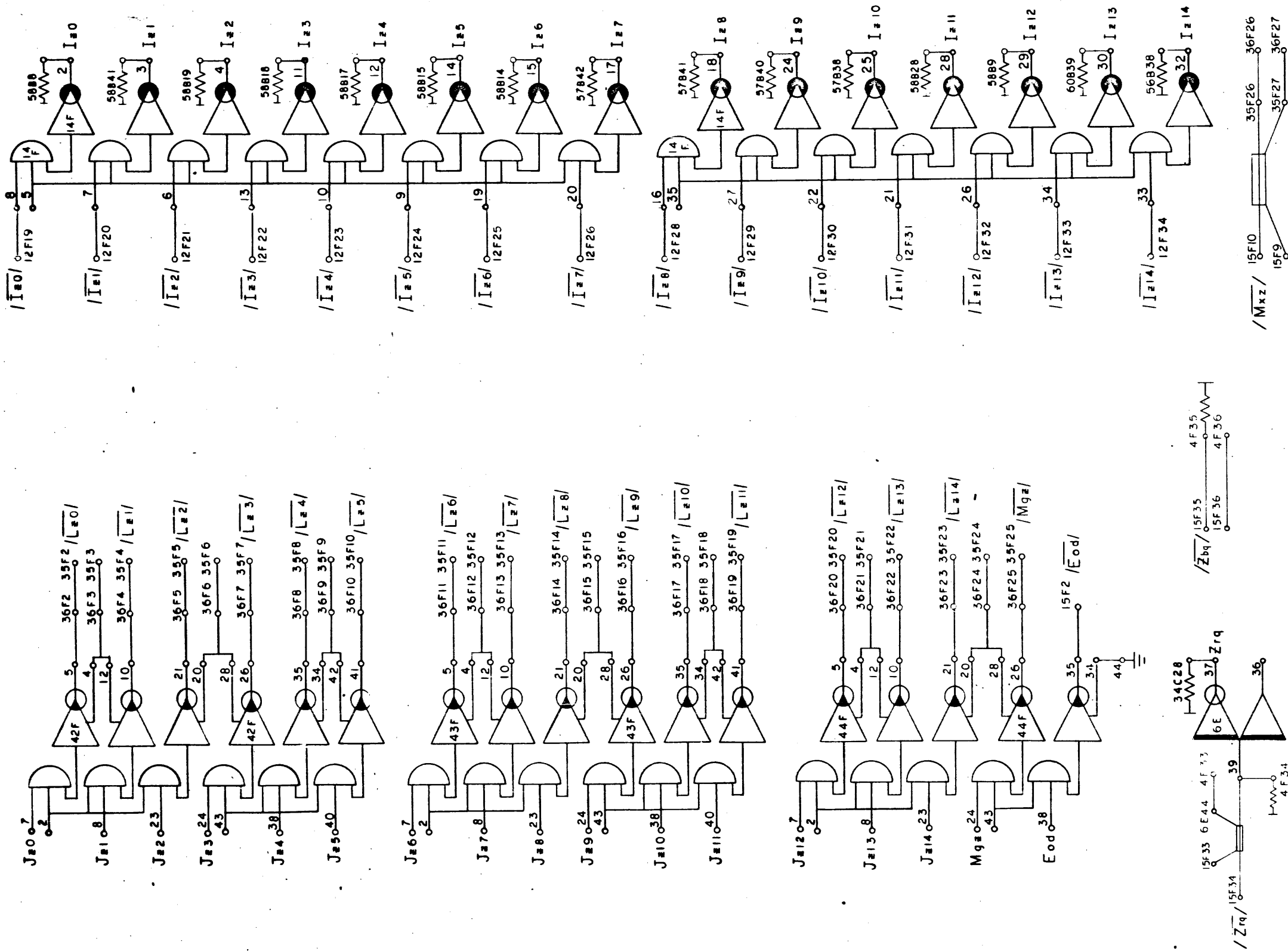
**SDS**  
SYSTEMS DESIGN SOFTWARE  
SANTA MONICA, CALIFORNIA

DIAGRAM, LOGIC  
COMPUTER

930	106407	C
-----	--------	---

SCALE: NO NET SCALE DRAWING      80

106407C



930  
PAGE 80  
D

REVISIONS			
REV.	DESCRIPTION	CHR.	DATE
A	RELEASED TO SPS		1/27/69
C	SEE REV E0		2-69

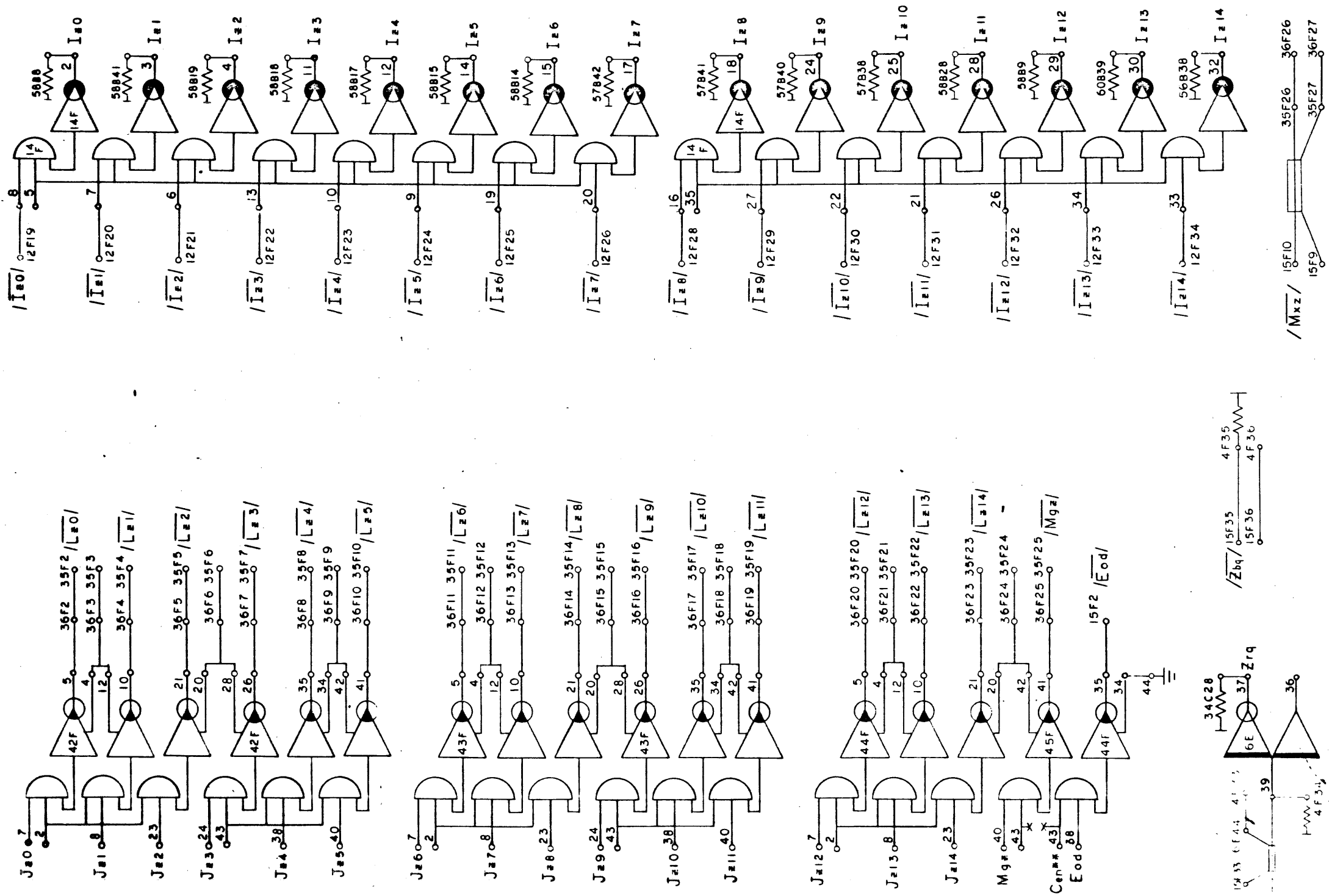
106407 D



DIAGRAM, LOGIC  
COMPUTER

930	106407	D
-----	--------	---

106407/C1



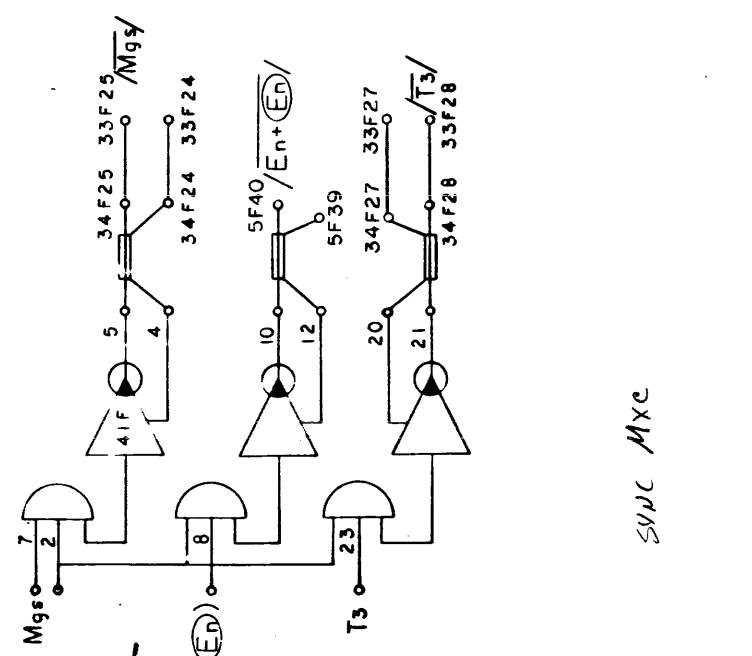
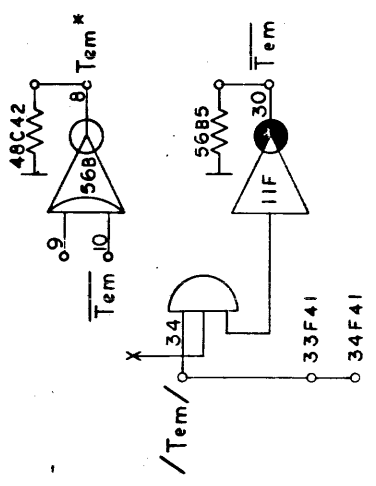
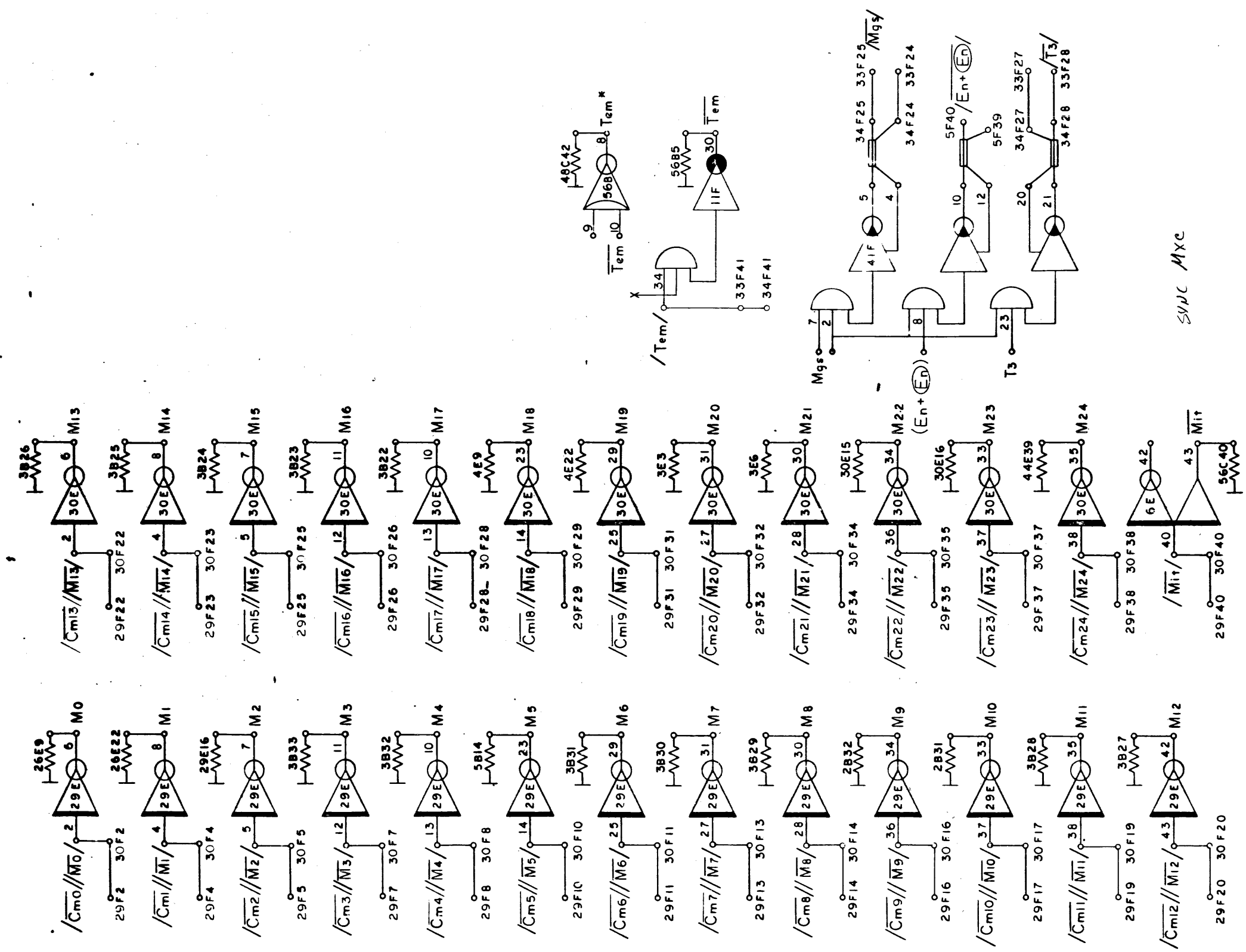
930  
PAGE 80

REVISIONS			
REV	DESCRIPTION	CHK	DATE
A	SEE REV E0		
C	SEE REV E0		
J	SEE REV E0		

<b>SDB</b> SUNBELT DESIGN		
DIAGRAM, LOGIC COMPUTER		
930	106407	J
SCALE	DO NOT SCALE DRAWING	SHEET 80

106407/J





930  
PAGE 81  
A

REVISIONS				106407	A
REV.	DESCRIPTION	CHK	DATE	APPROVED	
A	RELEASED TO MFG		1/2/68		

**SDB**  
SUNBELT DATA SYSTEMS  
DATA, MEMORY, CONTROLS

DIAGRAM, LOGIC  
COMPUTER

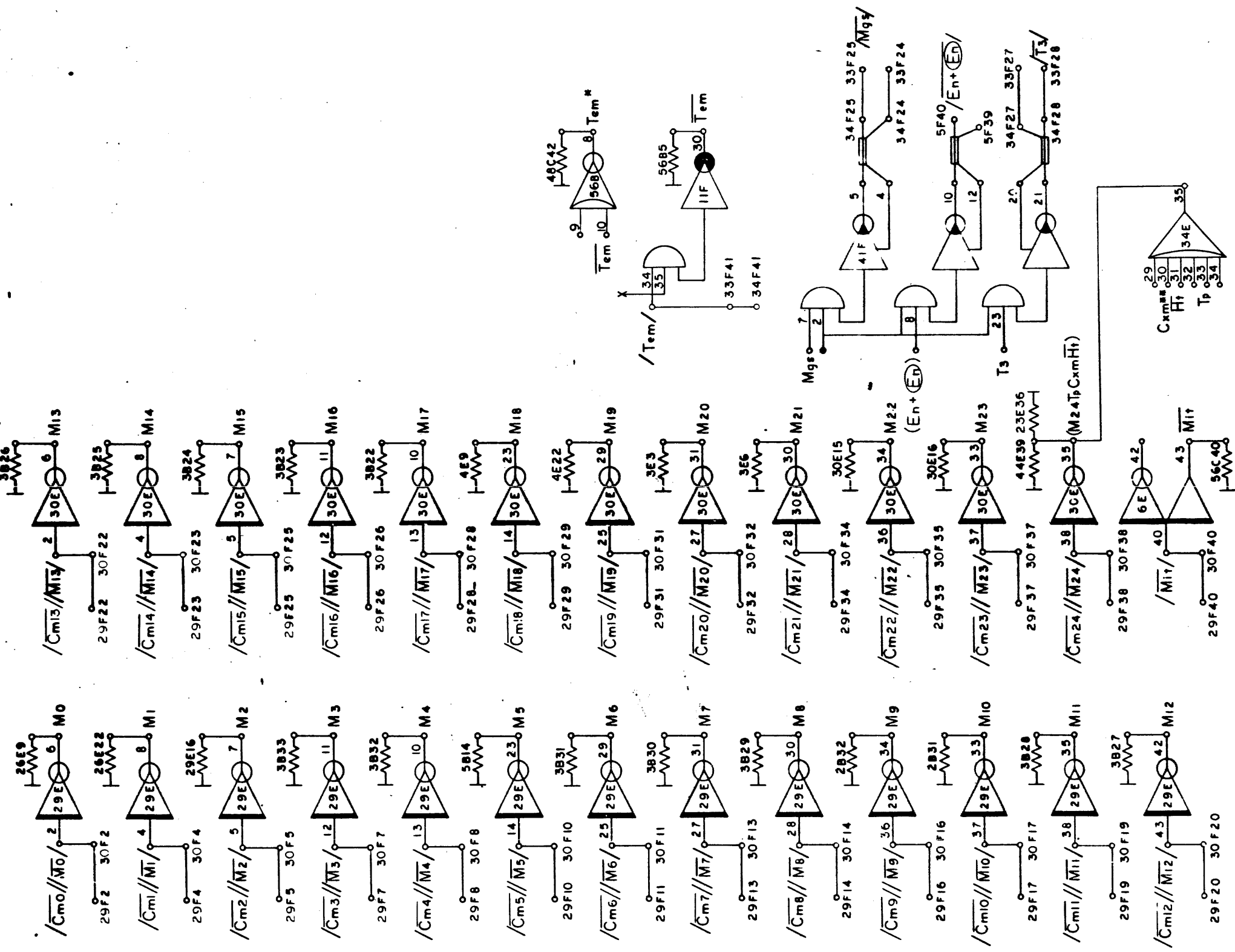
930	106407	A
DO NOT SCALE DRAWINGS		

106407/A1

REVISIONS				
REV.	DESCRIPTION	CHK	DATE	APPROVED
A	RELEASED TO VPS			
B	SEE REV E0			
G	SEE REV E0			

106407 5

930  
PAGE 81  
G



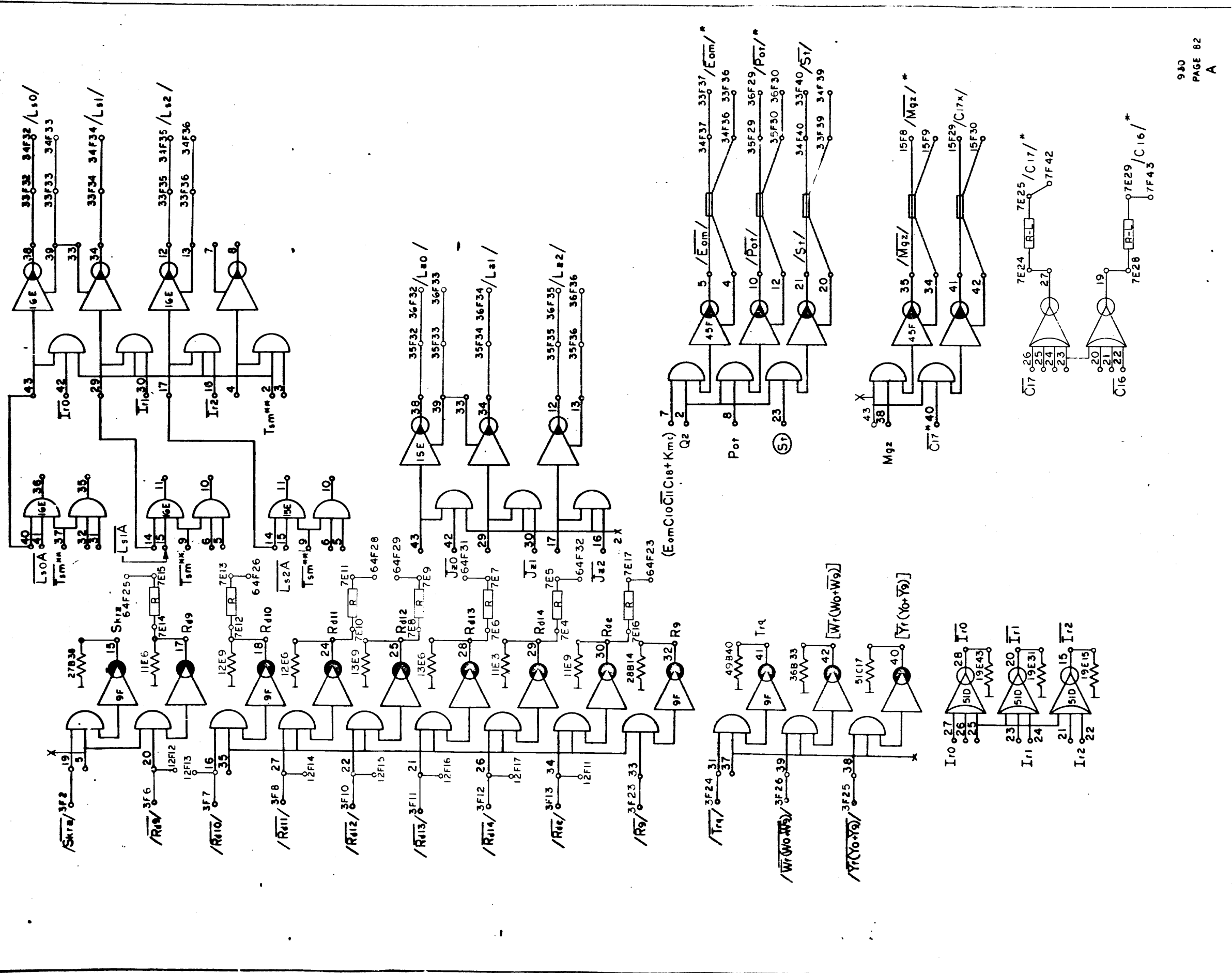
**SDB**  
SYSTEMS DATA SYSTEMS  
DATA SYSTEMS, CALIFORNIA

DIAGRAM, LOGIC  
COMPUTER

930	106407	G
-----	--------	---

SCALE    DO NOT SCALE DRAWING    SHEET

106407/G



930  
PAGE 82  
A

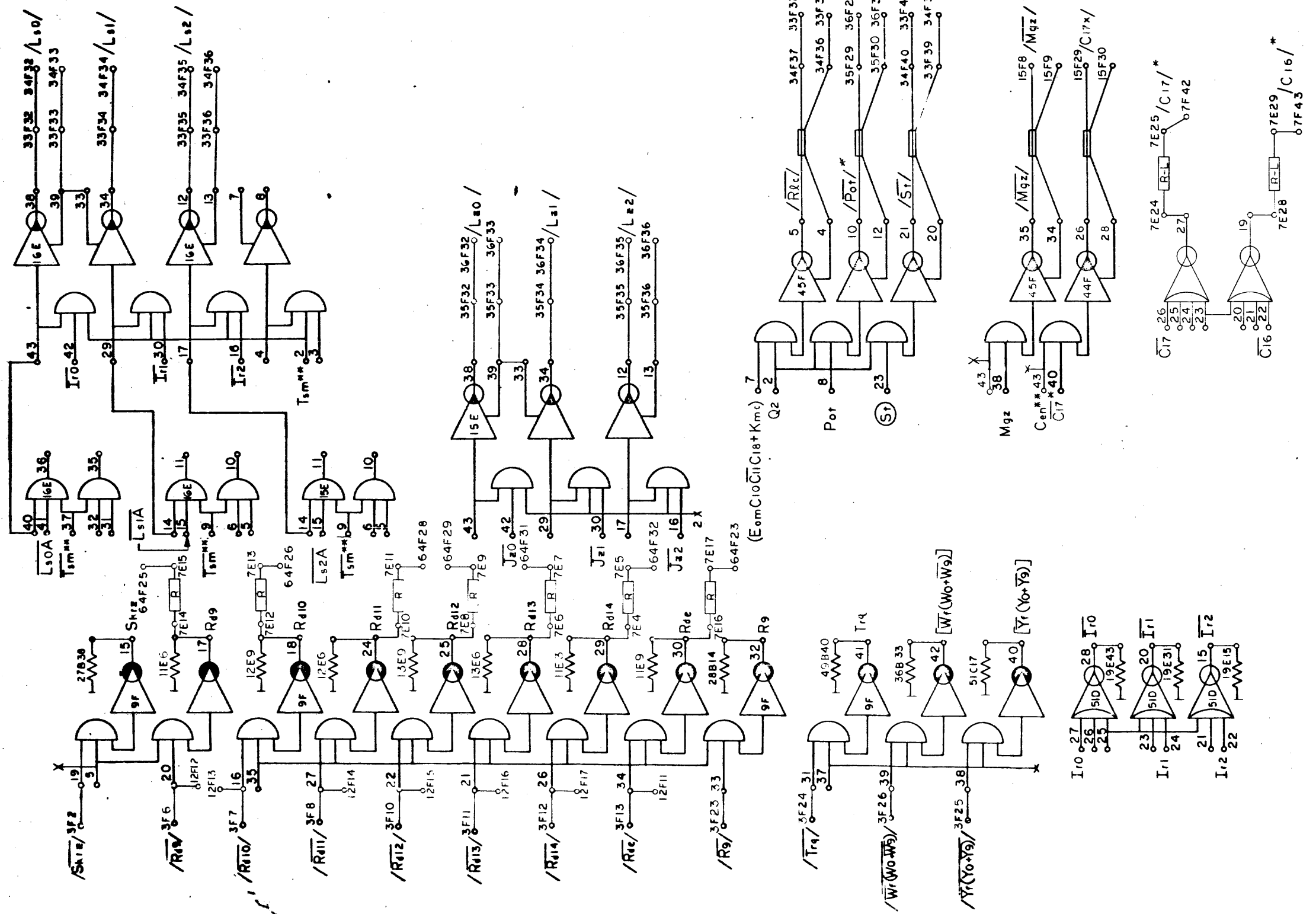
1106407A

**CDS**  
SCIENTIFIC DATA SYSTEMS  
SANTA MONICA, CALIFORNIA

DIAGRAM, LOGIC  
COMPUTER





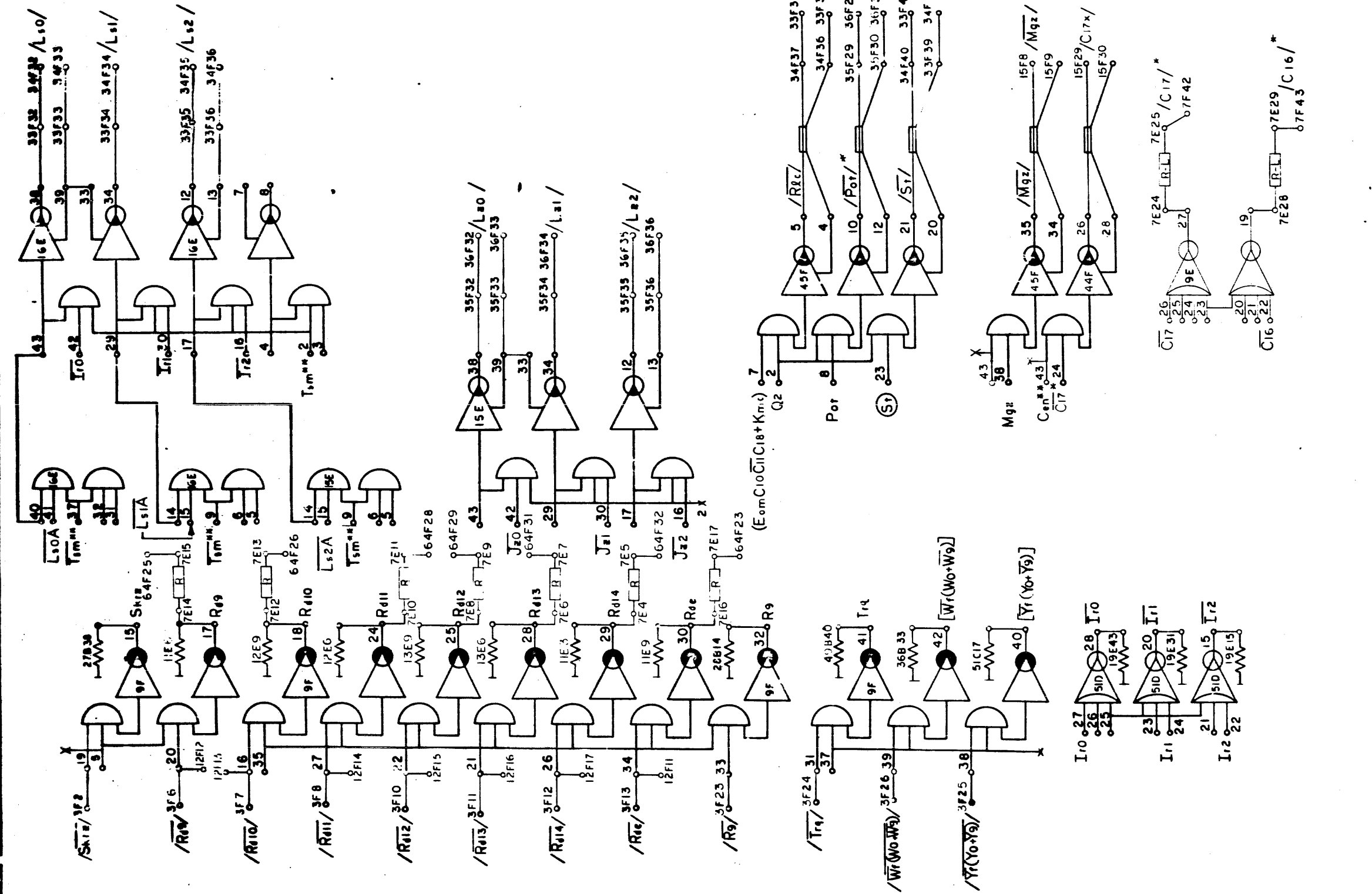


930  
PAGE 82  
J

REVISIONS			
REV	DESCRIPTION	CHE	DATE
A	RELEASED TO MFG	WEP	9/14/62
B	SEE REV E0	WEP	10/12/62
C	SEE REV E0	WEP	10/23/62

TITLE <b>DIAGRAM, LOGIC COMPUTER</b>			
930	106407	J	
SCALE		DO NOT SCALE DRAWING	

106407J



REVISIONS			
REV	DESCRIPTION	CHK	DATE
A	REVISED TO REV		
B	SEE REV E0		
C	SEE REV E0		
M	SEE REV E0		

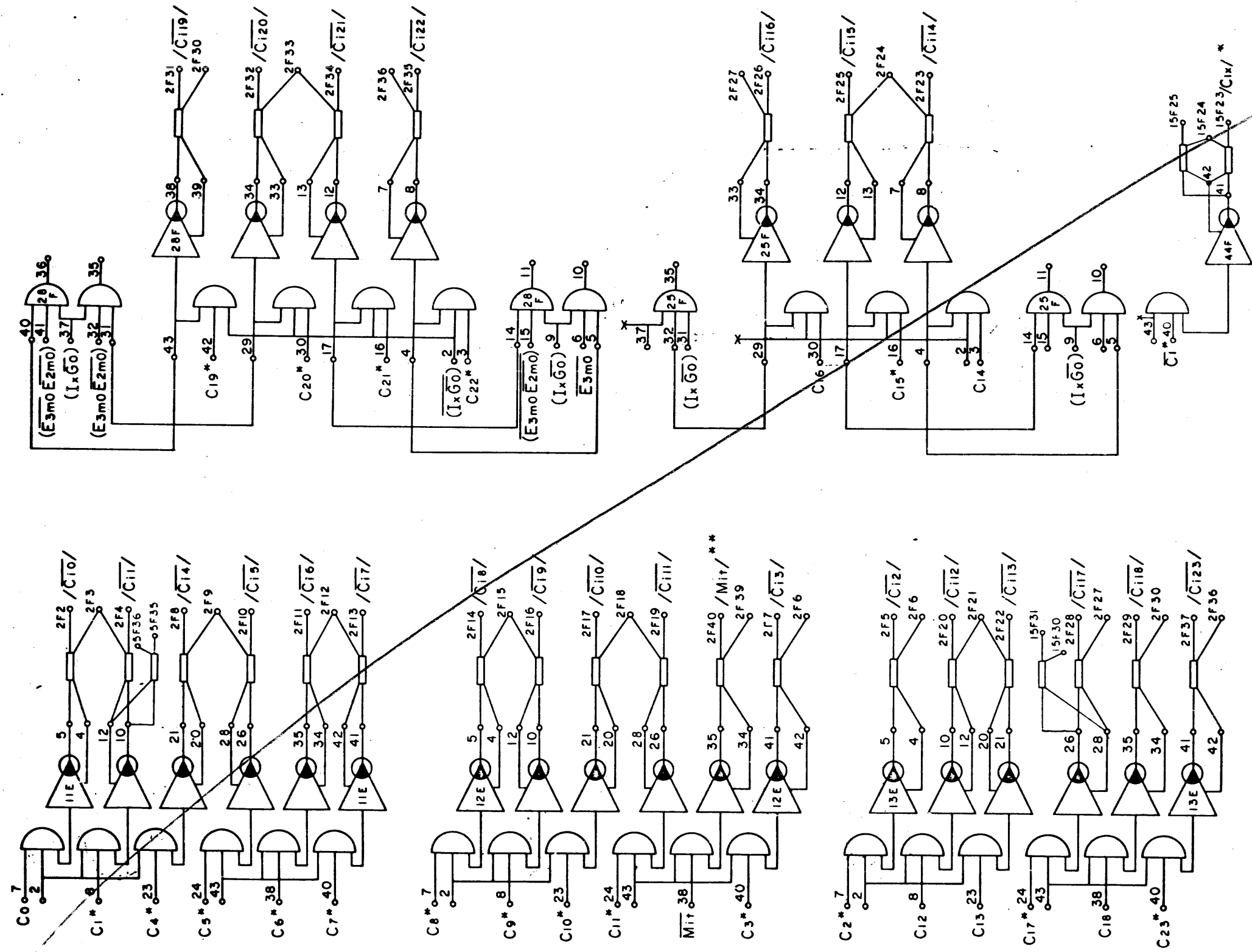
**SDS**  
SHAW-WALKER DATA SYSTEMS CORPORATION

DIAGRAM, LOGIC COMPUTER

930	106407	M
-----	--------	---


SCALE: DO NOT SCALE DRAWING 62 OF 66

106407

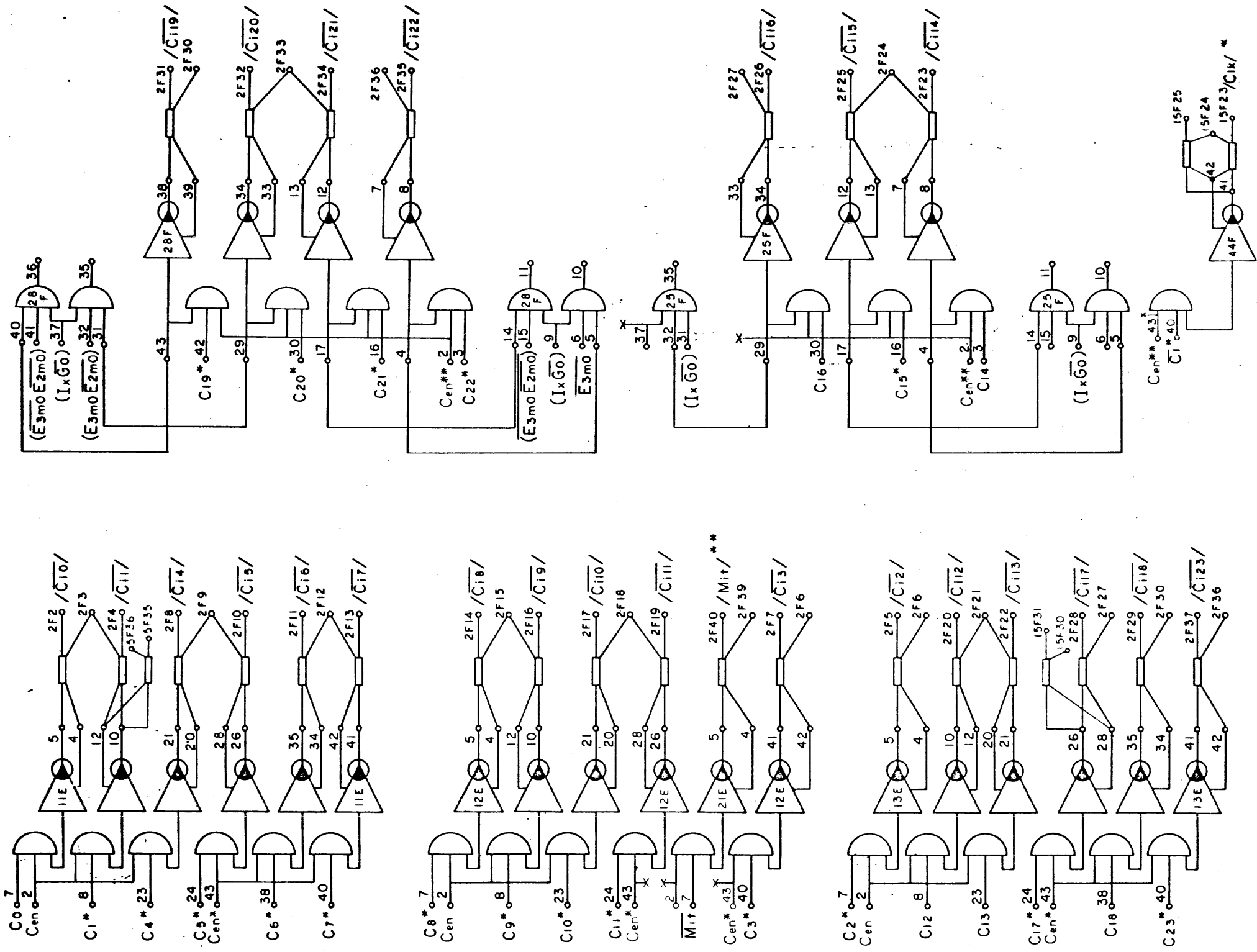


930  
PAGE 83  
A

REVISIONS				106407	A
REV.	DESCRIPTION	CHK.	DATE	APPROVED	
A	RELEASED TO MFG	UJ	8-16-71		

 SYSTEMS DESIGN CENTER SANTA BARBARA, CALIFORNIA	
TYPE DIAGRAM, LOGIC COMPUTER	
930	PART NO. 106407
SCALE	DO NOT SCALE DRAWING SHEET A

A|106407



930  
PAGE 83  
J

REVISIONS			
REV.	DESCRIPTION	CHK.	DATE
A	RELEASED TO MFG	JJS	7/28/64
J	SEE REV E0		

106407 J

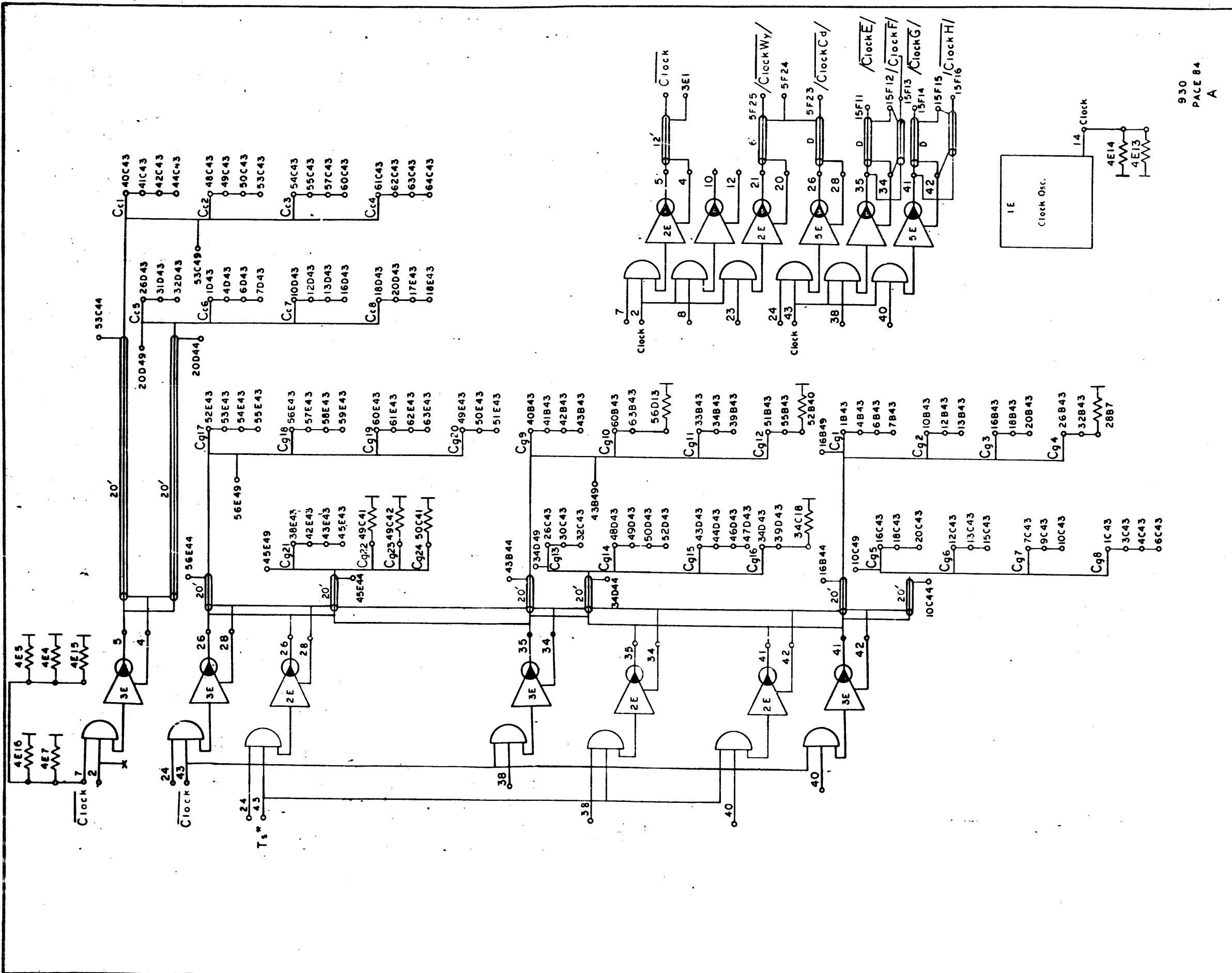
**SDS**  
SCIENTIFIC DATA SYSTEMS  
SANTA MONICA, CALIFORNIA

TITLE  
**DIAGRAM, LOGIC  
COMPUTER**

930	SIZE	DWG. NO.	CHANGE
		106407	J

SCALE DO NOT SCALE DRAWINGS SHEET 83


J, 106407



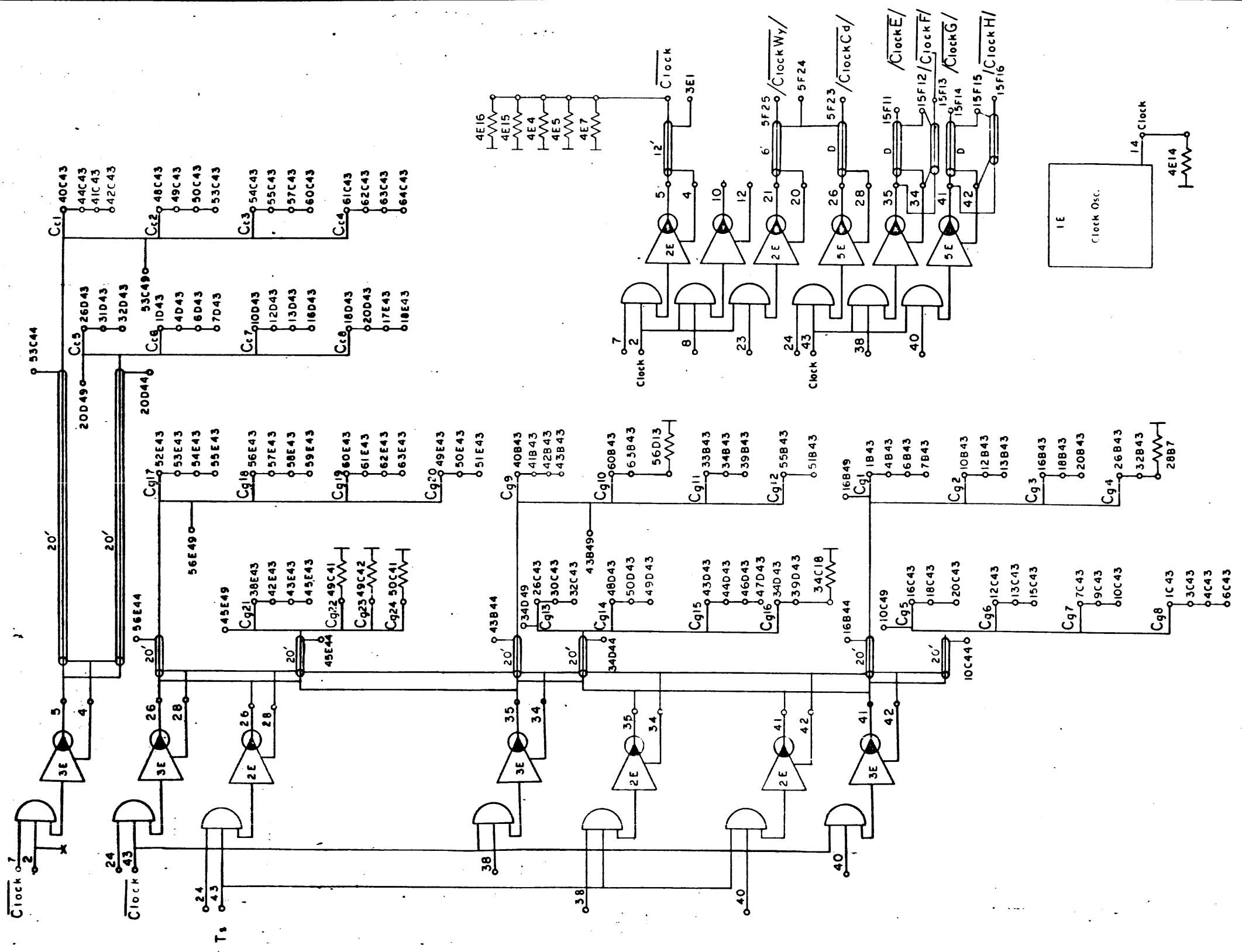
930  
PAGE 84  
A

REVISIONS			
REV.	DESCRIPTION	CHE	DATE
A	RELEASED TO MFG	JL	9/16/74

106407 A

 SCIENTIFIC DATA SYSTEMS SANTA MONICA, CALIFORNIA			
TITLE			
DIAGRAM, LOGIC COMPUTER			
930	REV. NO.	106407	CHANGE LETTER
SCALE	DO NOT SCALE DRAWING	SHEET	A

A106407



930  
PAGE 84  
B

REVISIONS				
REV.	DESCRIPTION	CHK	DATE	APPROVED
A	RELEASED TO MFG	JE	7/16/64	J.M.H.
B	SEE REV E0			

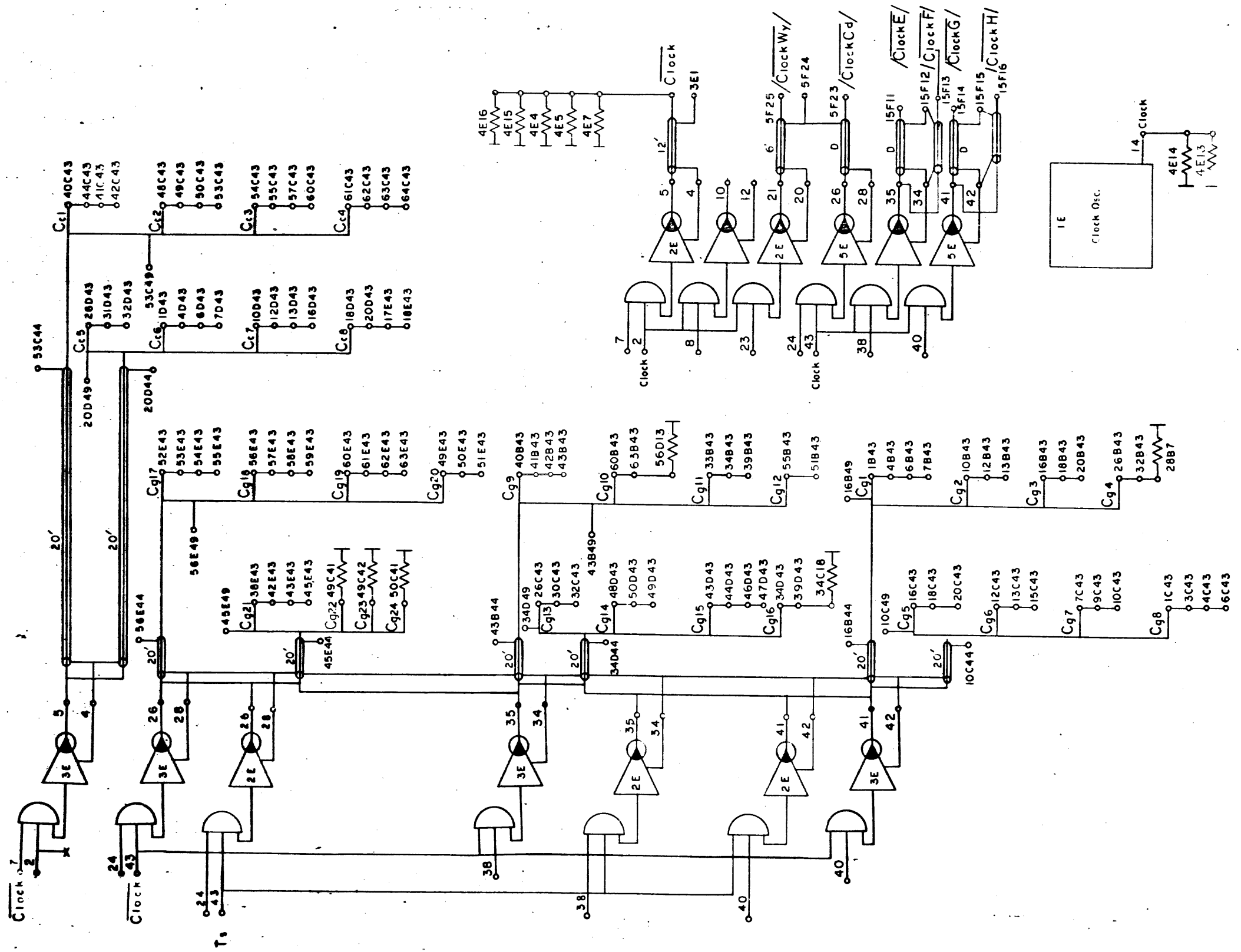
**SDS**  
SCIENTIFIC DATA SYSTEMS  
SANTA MONICA, CALIFORNIA

TITLE  
**DIAGRAM, LOGIC  
COMPUTER**

930	ISS. NO. <b>106407</b>	CHANGE LETTER <b>B</b>
-----	---------------------------	---------------------------

SCALE: DO NOT SCALE DRAWING SHEET 84

B|106407



930  
PAGE 84  
D

REVISIONS			
REV.	DESCRIPTION	CHK.	DATE
A	RELEASED TO MFG	JK	9/16/74
B	SEE REV E0		
D	SEE REV E0		

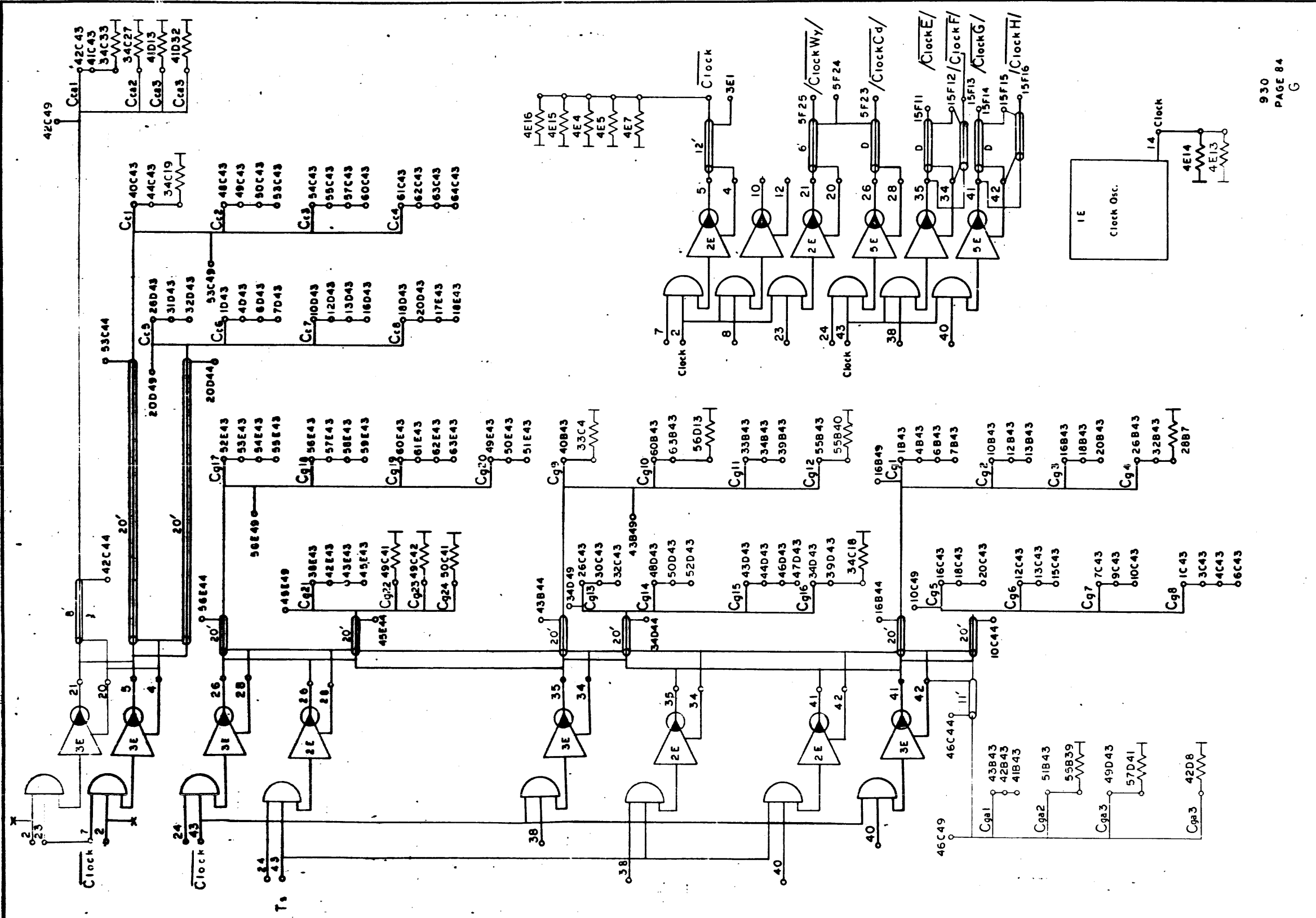
106407 D



DIAGRAM, LOGIC  
COMPUTER

930	106407	D
-----	--------	---

D106407



930  
PAGE 84  
G

REVISIONS				
REV.	DESCRIPTION	CHK.	DATE	APPROVED
A	RELEASED TO MFG			
B	SEE REV E0			
D	SEE REV E0			
G	SEE REV E0			

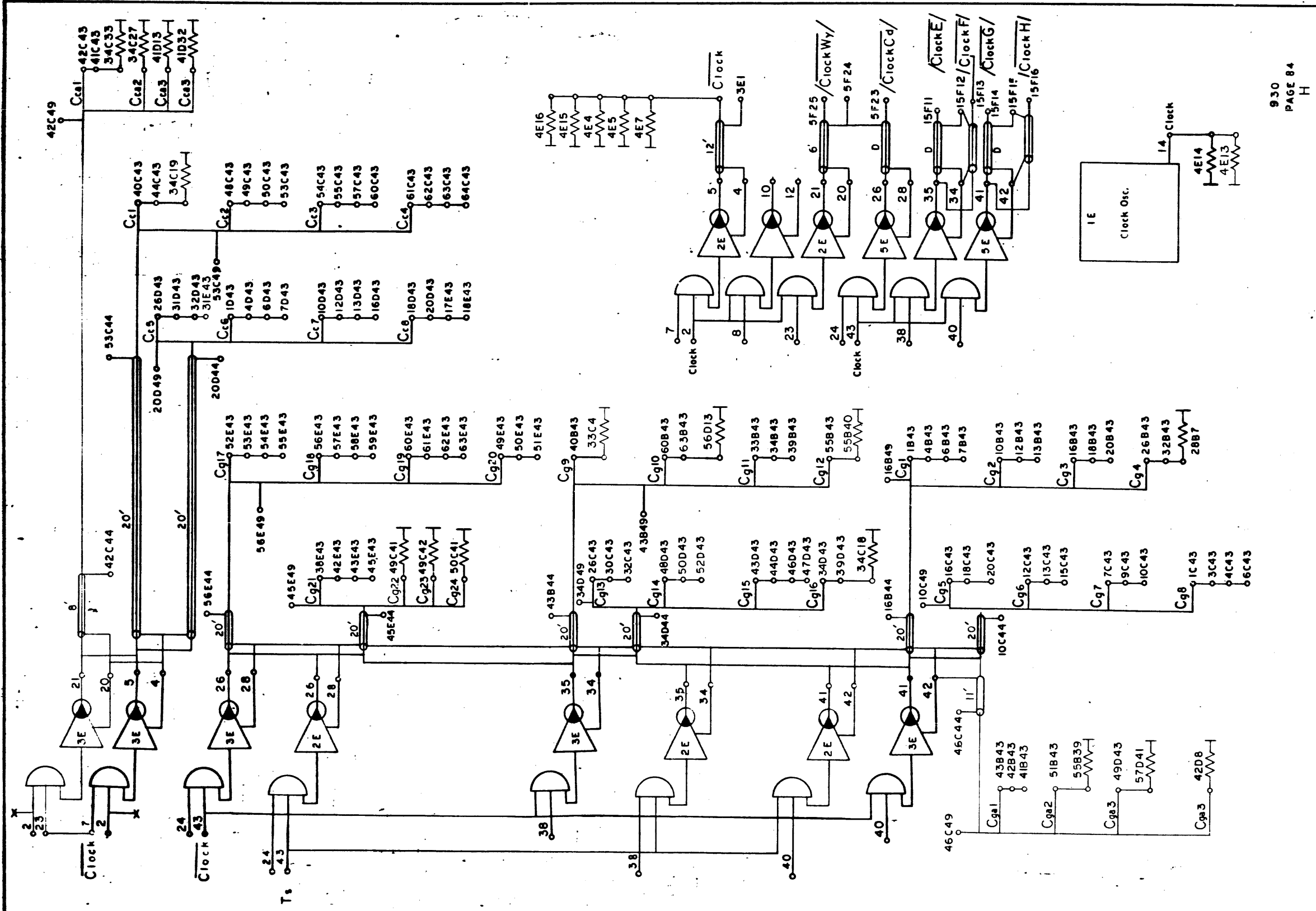


DIAGRAM, LOGIC  
COMPUTER

930	106407	G
-----	--------	---

G106407





REVISIONS				
REV.	DESCRIPTION	CHK	DATE	APPROVED
A	RELEASED TO MFG			
B	SEE REV E0			
D	SEE REV E0			
G	SEE REV E0			
H	SEE REV E0			

106407 H

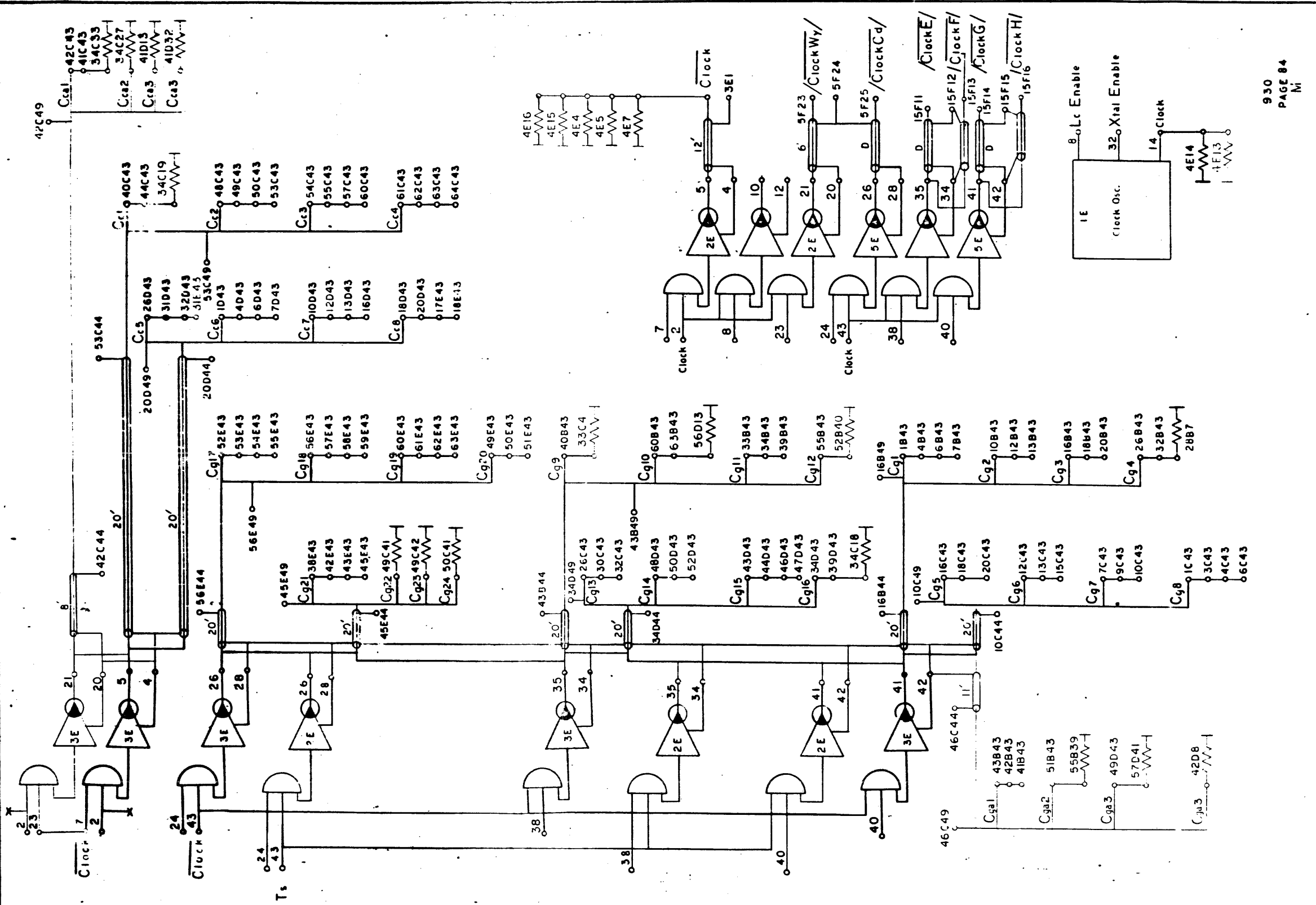
930  
PAGE 84  
H



DIAGRAM, LOGIC  
COMPUTER

930  
106407  
H

H106407



REVISIONS			
REV.	DESCRIPTION	DATE	APPROVED
A	RELEASED TO MFG	12/26/64	[Signature]
B	SEE REV E		
D	SEE REV E		
G	SEE REV E		
H	SEE REV E		
M	SEE REV E		

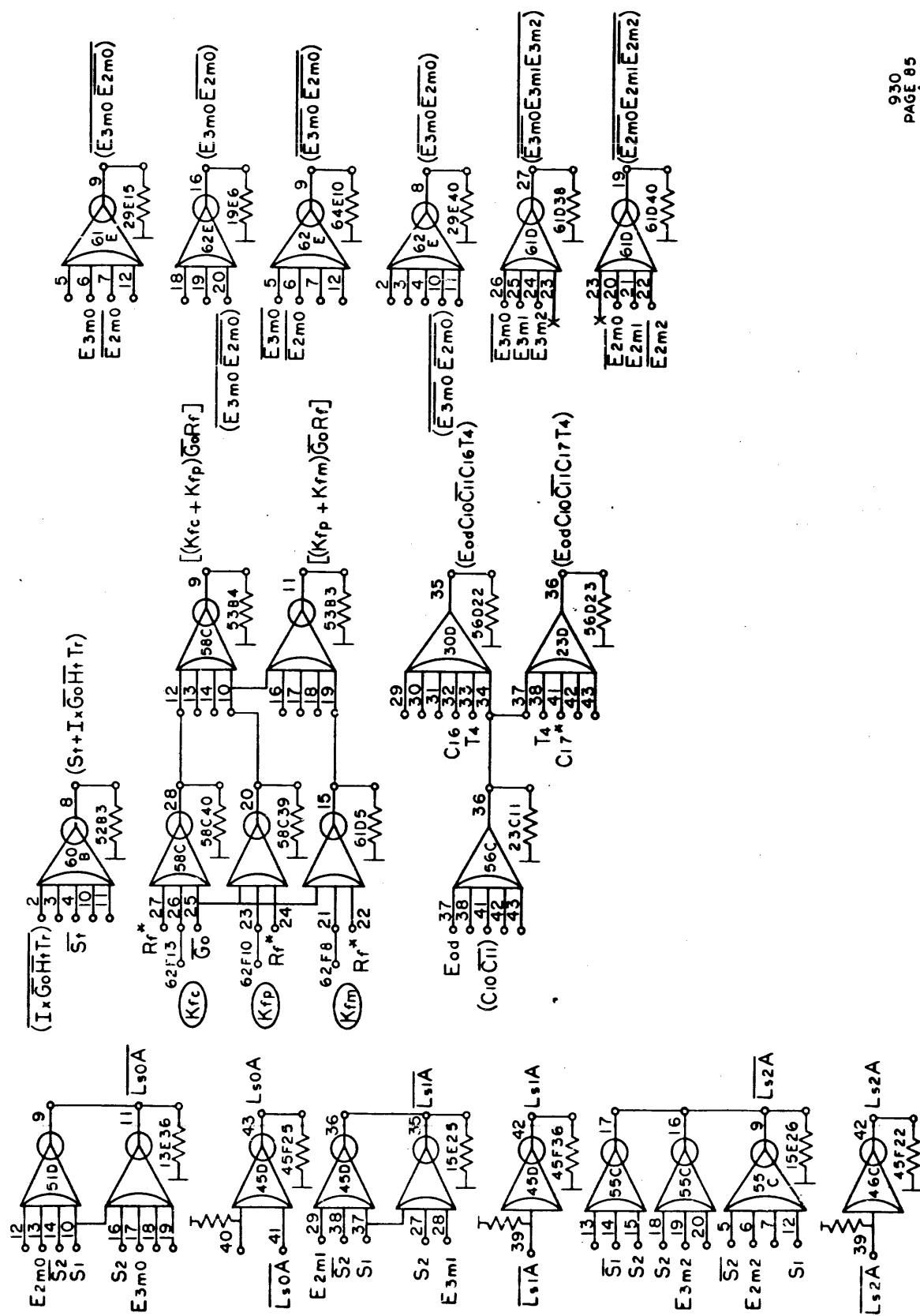
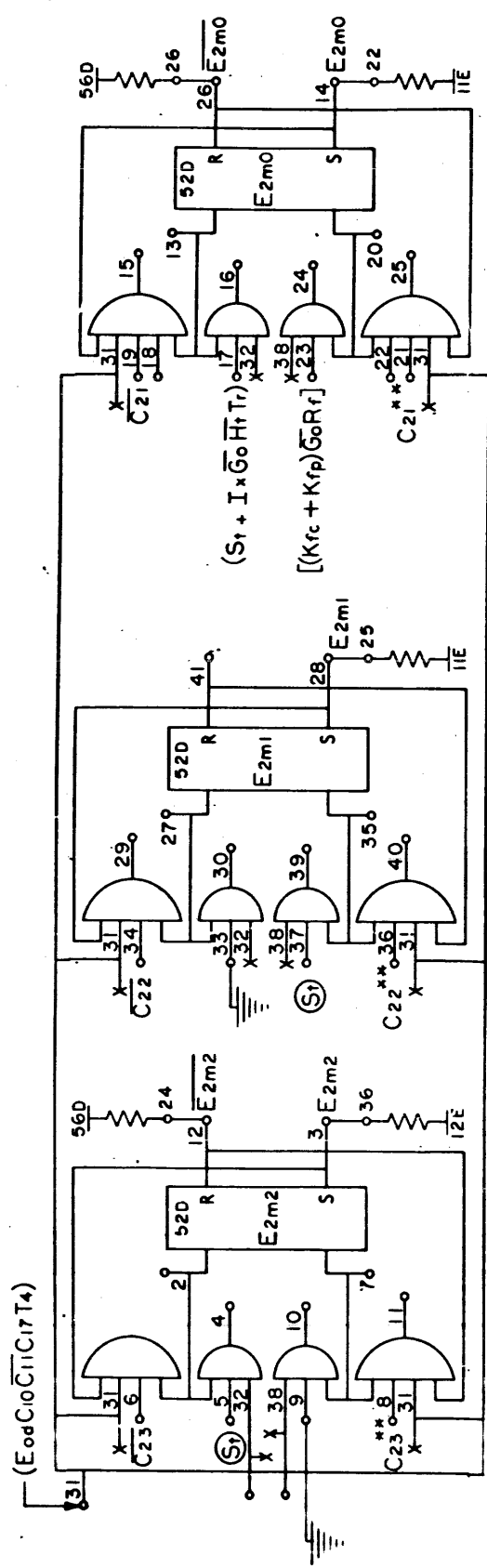
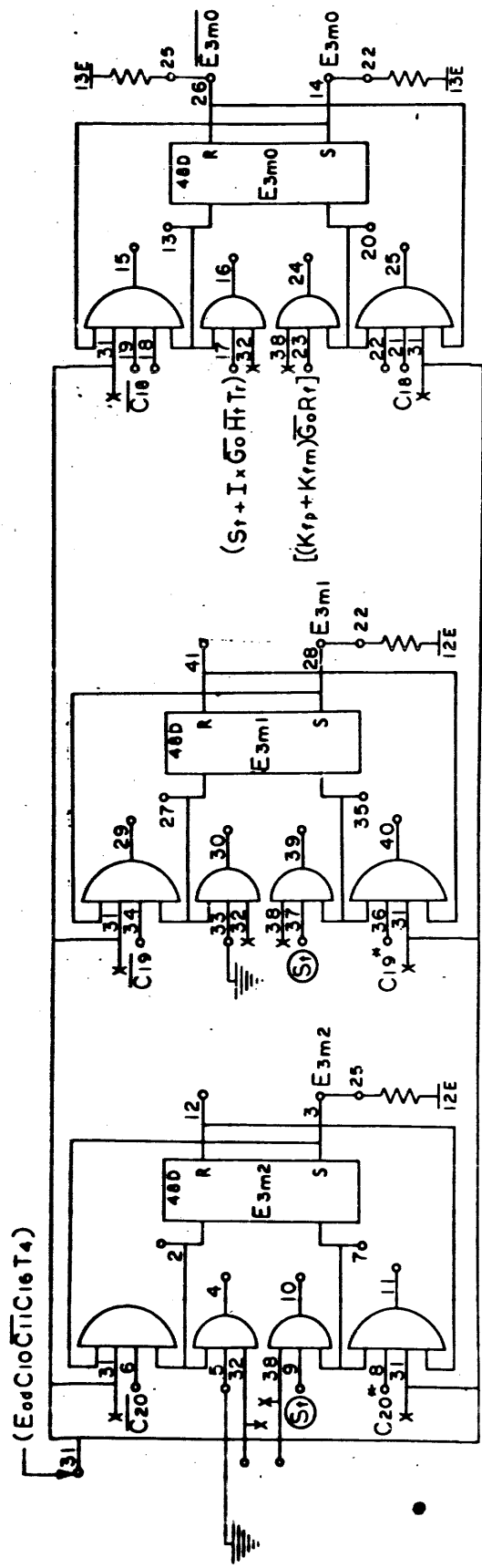
930  
PAGE 84  
M



DIAGRAM, LOGIC  
COMPUTER

930	106407	M
-----	--------	---

106407

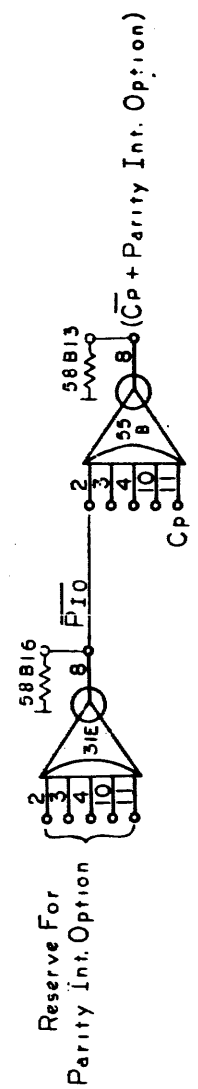
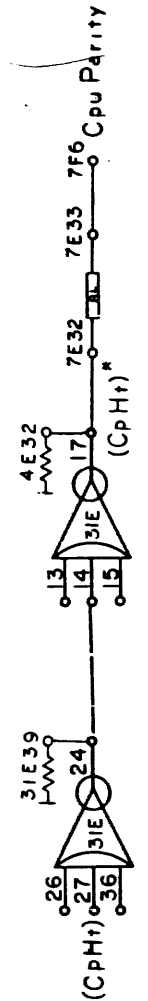
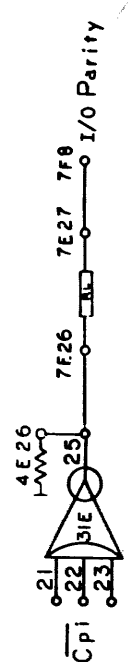
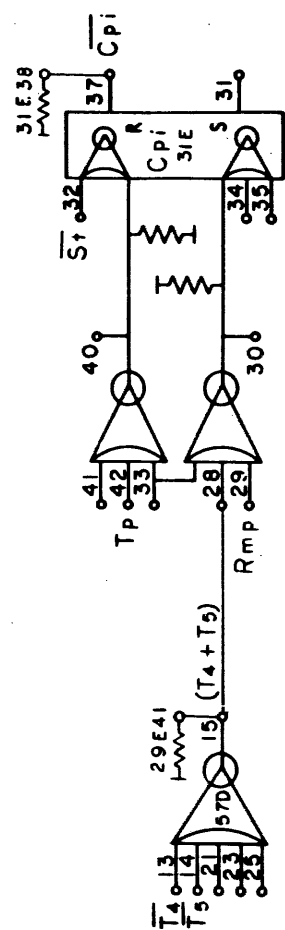


930  
PAGE 85  
A

REVISIONS				106407	A
REV.	DESCRIPTION	CHK.	DATE	APPROVED	
A	RELEASED TO MFG				

<b>DIAGRAM, LOGIC COMPUTER</b>		
930	106407	A
NO NOT SCALE DRAWING		

106407/A



930  
Page 86  
A

REVISIONS			
REV.	DESCRIPTION	CHK.	DATE
A	REL. TO MFG.		

106407 A

106407 A

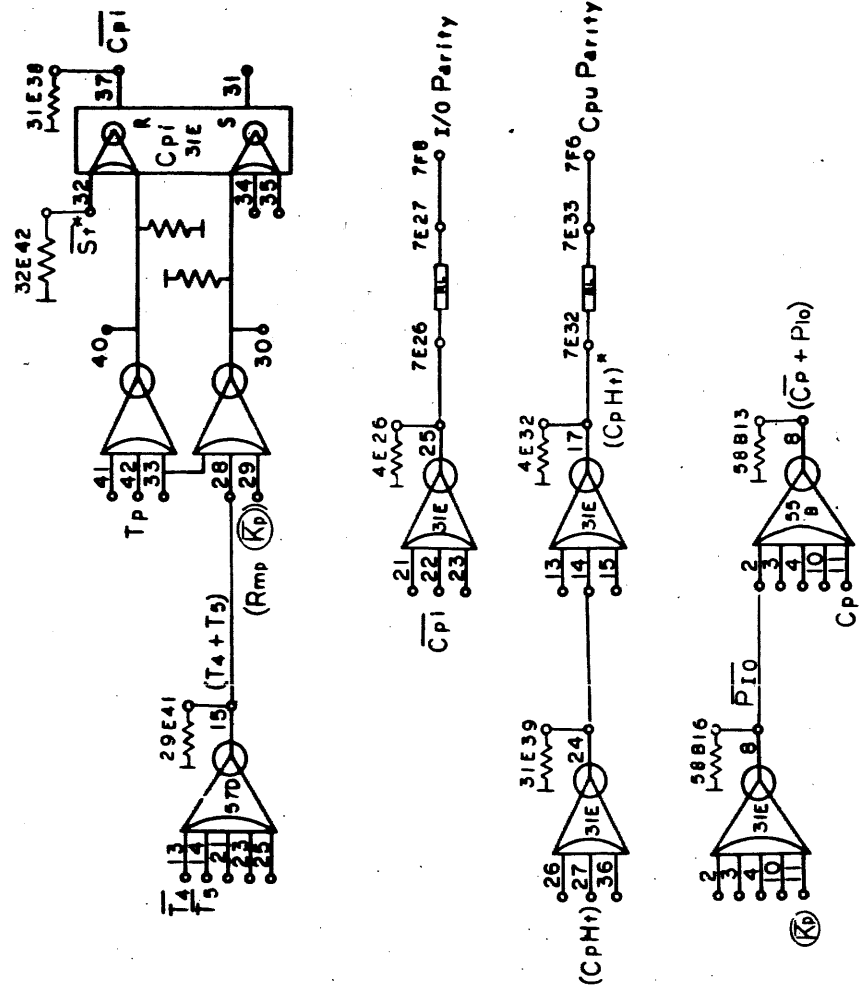
**SDS**  
SCIENTIFIC DATA SYSTEMS  
SANTA MONICA, CALIFORNIA

TITLE  
DIAGRAM, LOGIC  
COMPUTER

930  
Dwg. No. 106407  
Change Letter A

SCALE DO NOT SCALE DRAWING SHEET





NOTE:  
ON 930 S.N.3123 (NASA HOUSTON) THIS PAGE  
IS REPLACED BY 113267.

930  
Page 86  
H

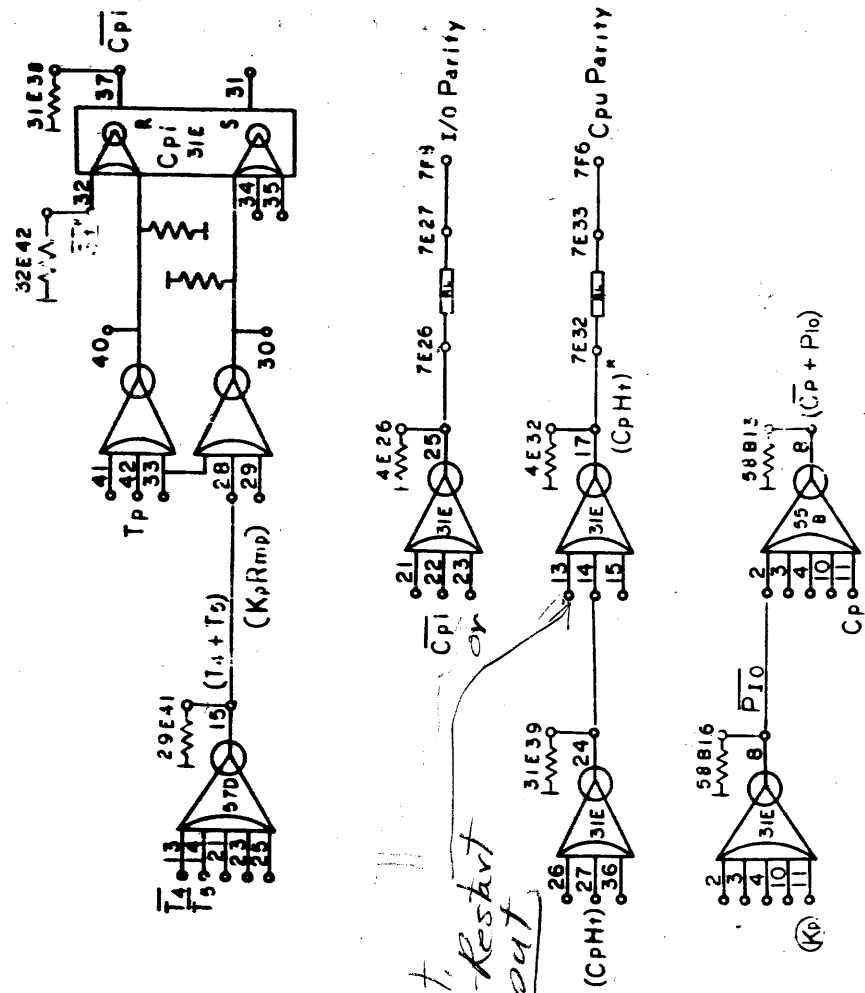
REVISIONS			
REV.	DESCRIPTION	DATE	APPROVED
A	REL. TO MFG.	5/2/64	AK
C	SEE REV E0	12/15/64	AK
H	SEE REV E0	1/15/65	AK

**SDS**  
SCIENTIFIC DATA SYSTEMS  
DATA SPECIAL SERVICES

DIAGRAM, LOGIC  
COMPUTER

930	106407	H
DO NOT SCALE DRAWING		INCHES 80

106407 H



NOTE: ON 930 S.N. 3123 (NASA HOUSTON) THIS PAGE IS REPLACED BY 113267.

930  
Page 86  
M

REVISIONS			
REV.	DESCRIPTION	CHK.	APPROVED
A	REL. TO MFG.		
C	SEE REV E0		
H	SEE REV E0		
M	SEE REV E0		

**SDS**  
SCIENTIFIC DATA SYSTEMS  
DATA CENTER, HOUSTON

DIAGRAM, LOGIC  
COMPUTER

930	106407	M
-----	--------	---

149/150





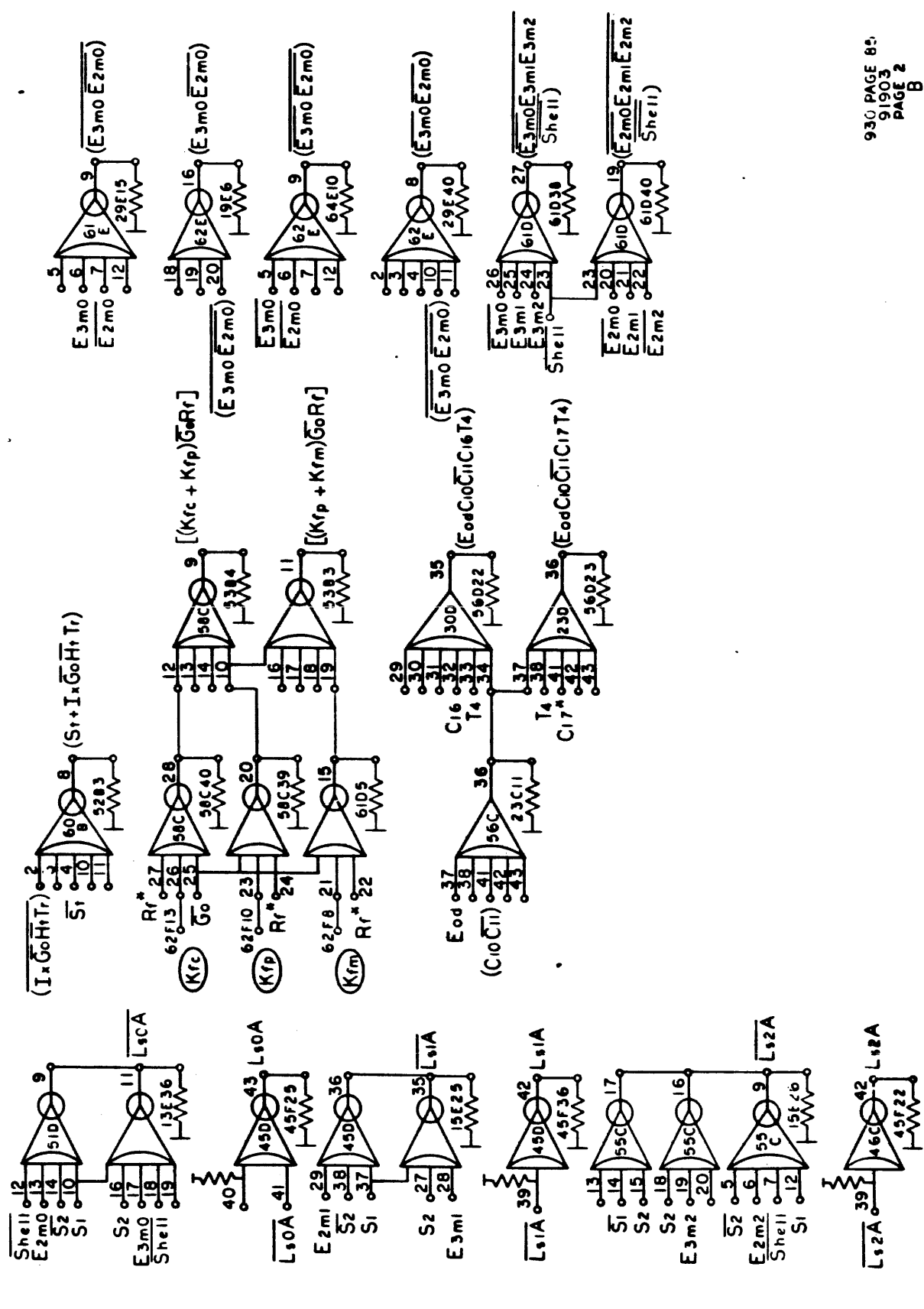
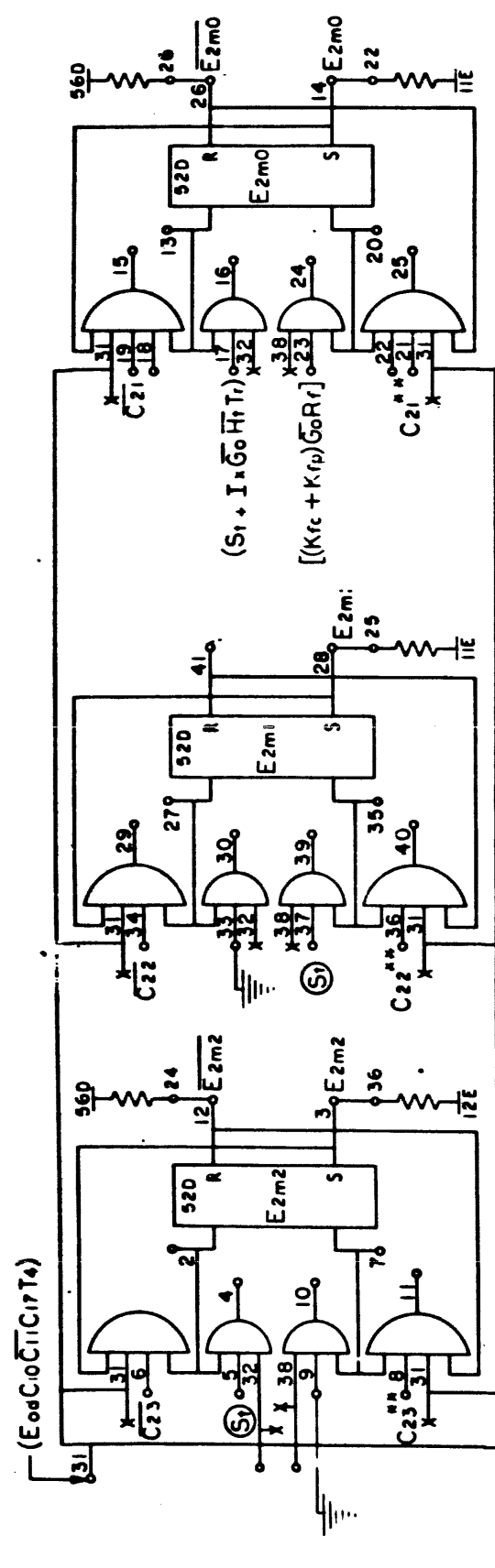
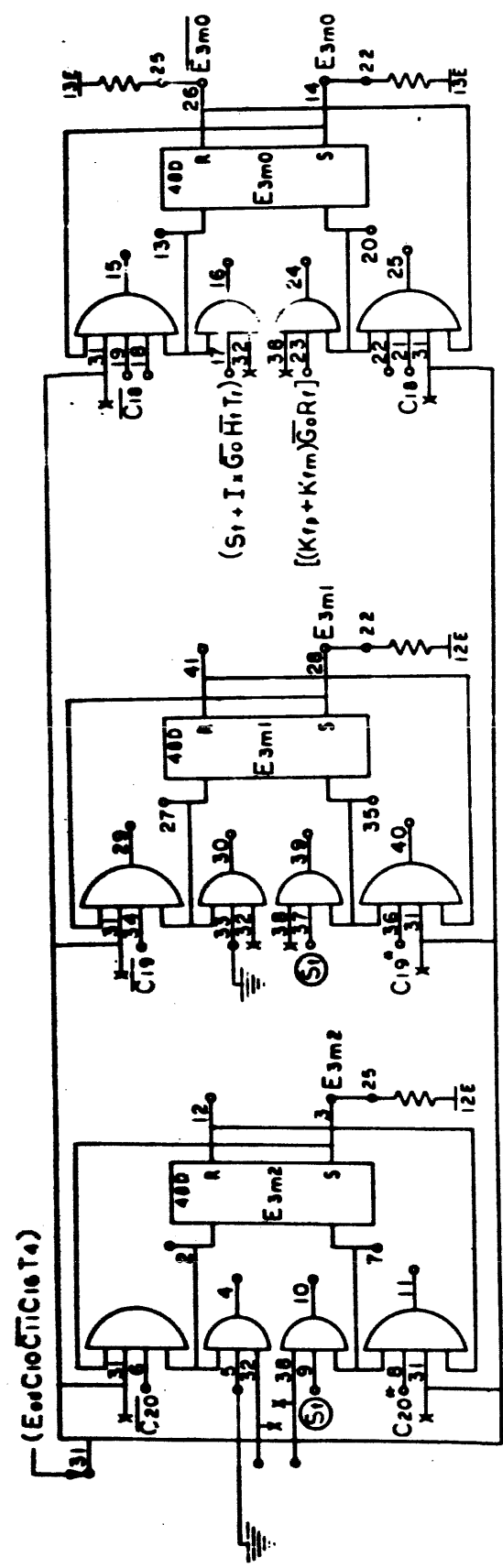










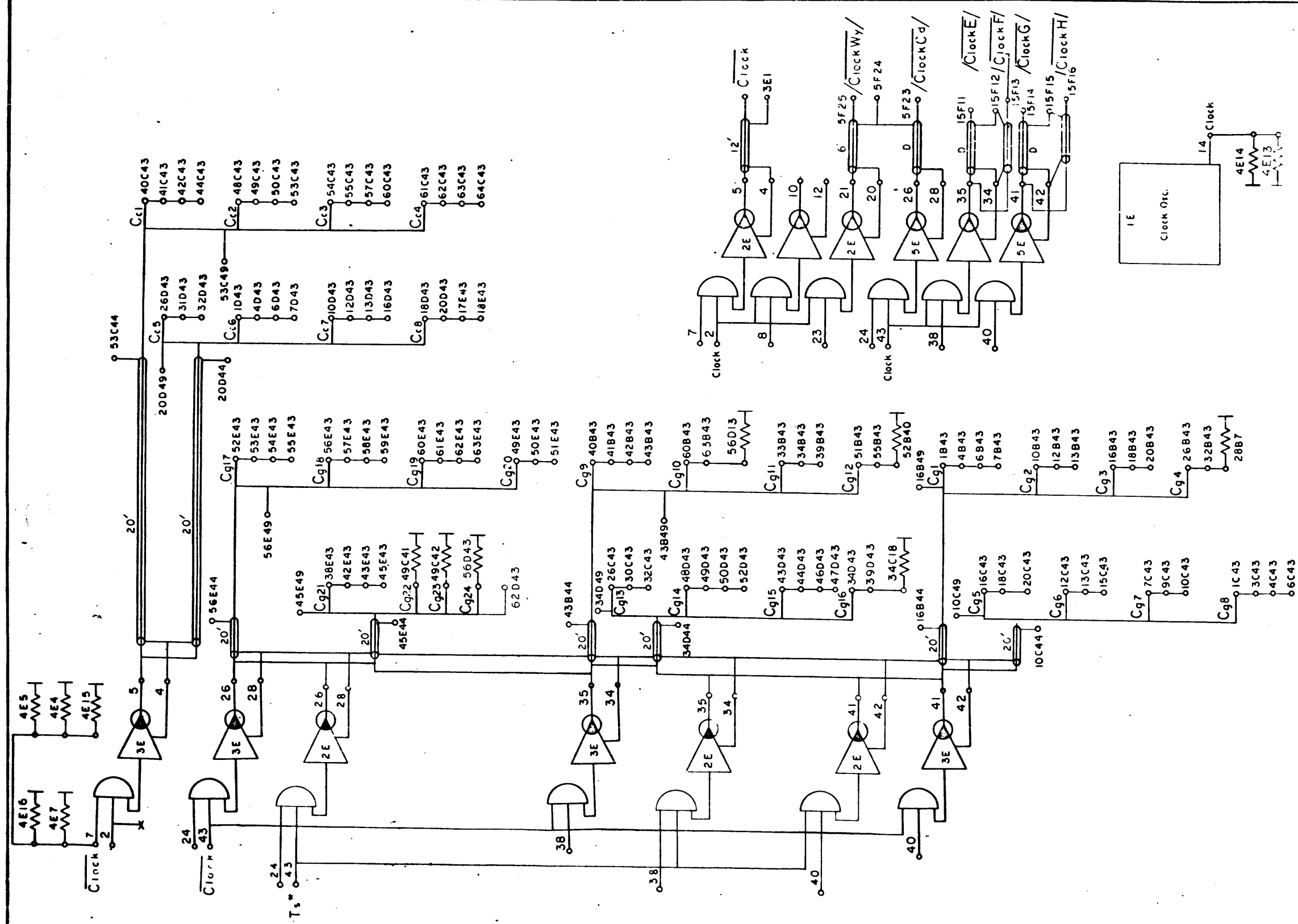


930 PAGE 85  
91903  
PAGE 2  
PAGE B

REVISIONS		108843	B
A	RELEASED TO MFG		
B	SEE REV E.O.		

DIAGRAM, LOGIC COMPUTER (MOD)

91903	108843	B
-------	--------	---



1. THIS PAGE REPLACES PAGE 84, 930 S/N 3105. (SHELL OPTION)

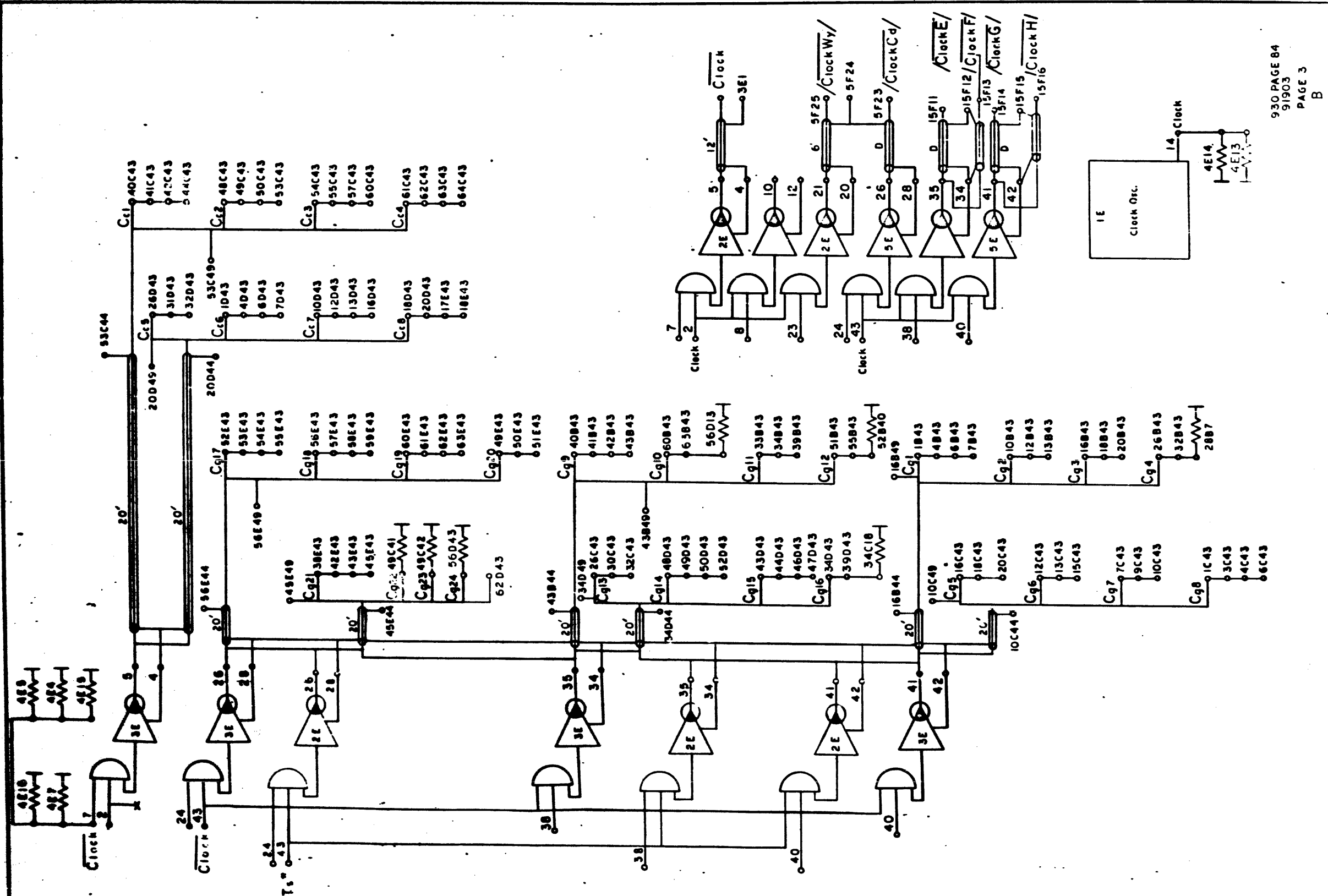
930(MOD)  
PAGE 3  
A

REVISIONS				
REV.	DESCRIPTION	CHK	DATE	APPROVED
A	RELEASED TO MFG			JMAH

**SHELL**

TITLE			
DIAGRAM, LOGIC COMPUTER			
930MOD	SIZE	DWG NO.	TRAINING LETTER
		108843	A
SCALE	DO NOT SCALE DRAWING		SHEET

A108843



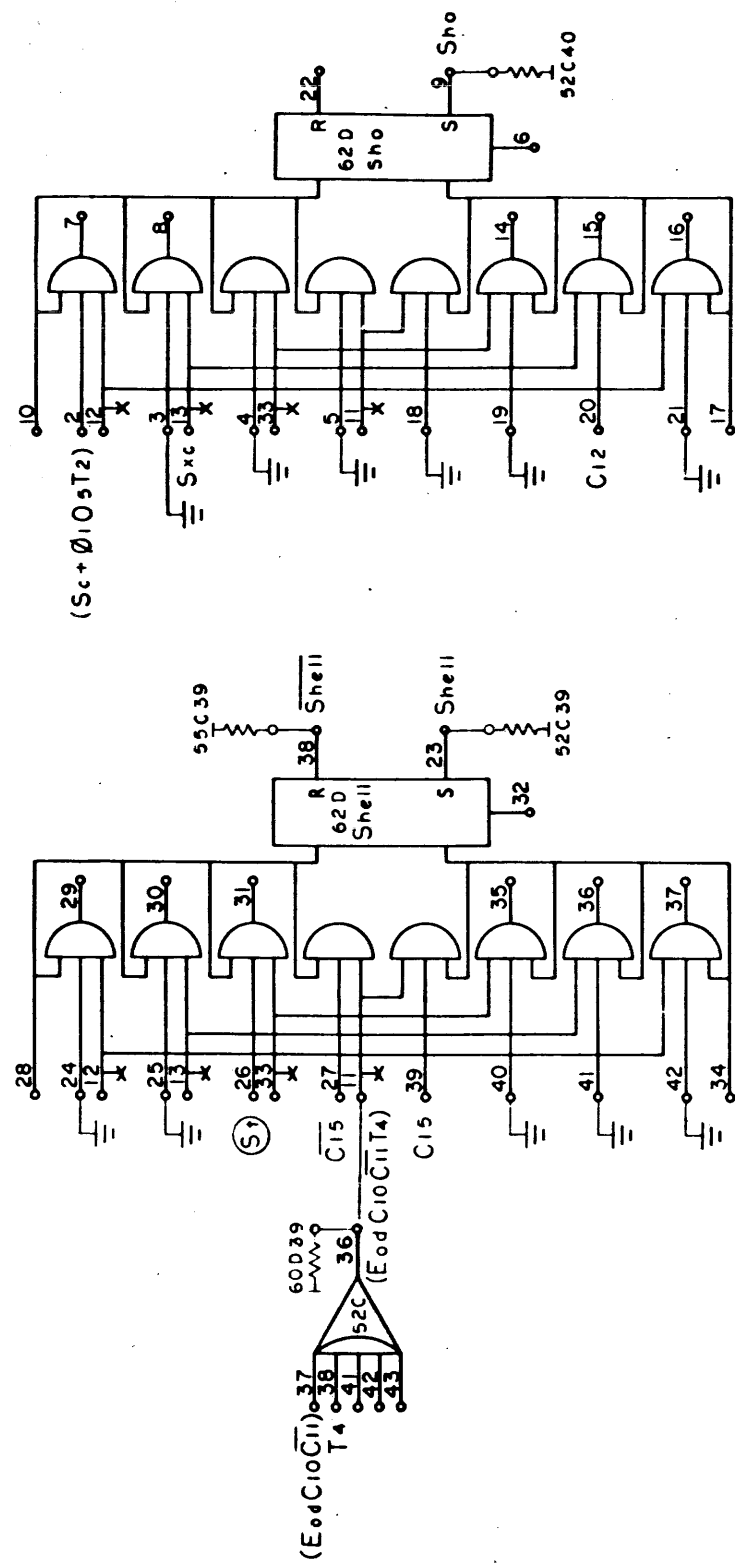
930 PAGE 84  
91903  
PAGE 3  
B

REVISIONS		108843	
REV.	DESCRIPTION	DATE	BY
A	RELEASED TO B-10		
B	REV REV E.O.		

<b>DIAGRAM, LOGIC COMPUTER (MOD)</b>			
91903	108843	B	
SCALE		DO NOT SCALE DIMENSIONS	

B 108843





930 (MOD)  
PAGE 4  
A

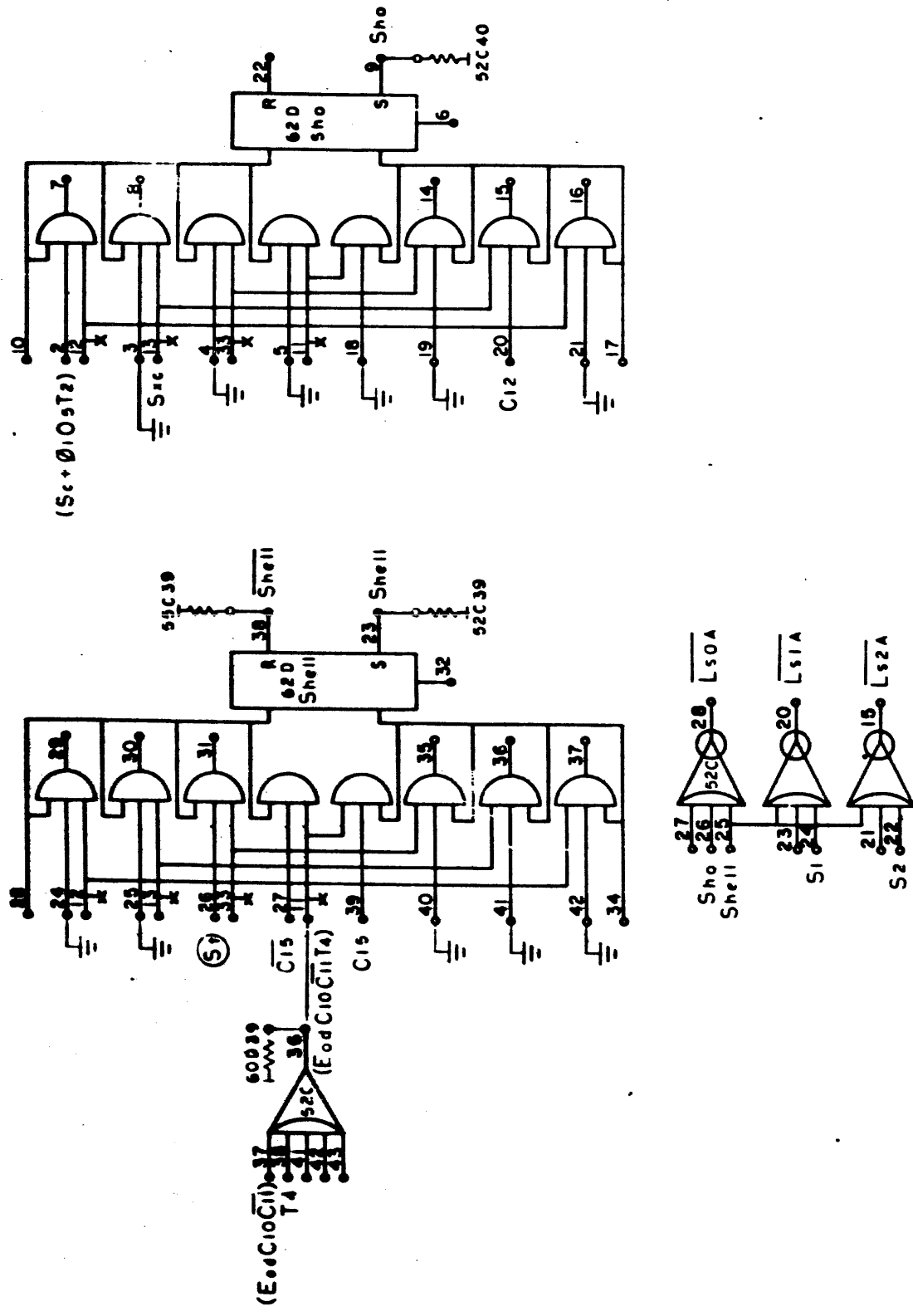
1. THIS PAGE ADDED FOR 930 S/N 3105.(SHELL OPTION)

REVISIONS				OFF 43	A
REV	DESCRIPTION	CHK	DATE	APPROVED	
A	REL TO MFG.				

**SNELL**

TITLE				
DIAGRAM, LOGIC COMPUTER				
930 MOD	SIZE	DWG NO.	CHANGE LIST	
		105943	A	
SCALE	DO NOT SCALE DRAWING		SHEET	

REVISIONS			
REV.	DESCRIPTION	DATE	APPROVED
A	REL TO MFG.		
B	SEE REV E.O.		



91903  
PAGE 4  
B

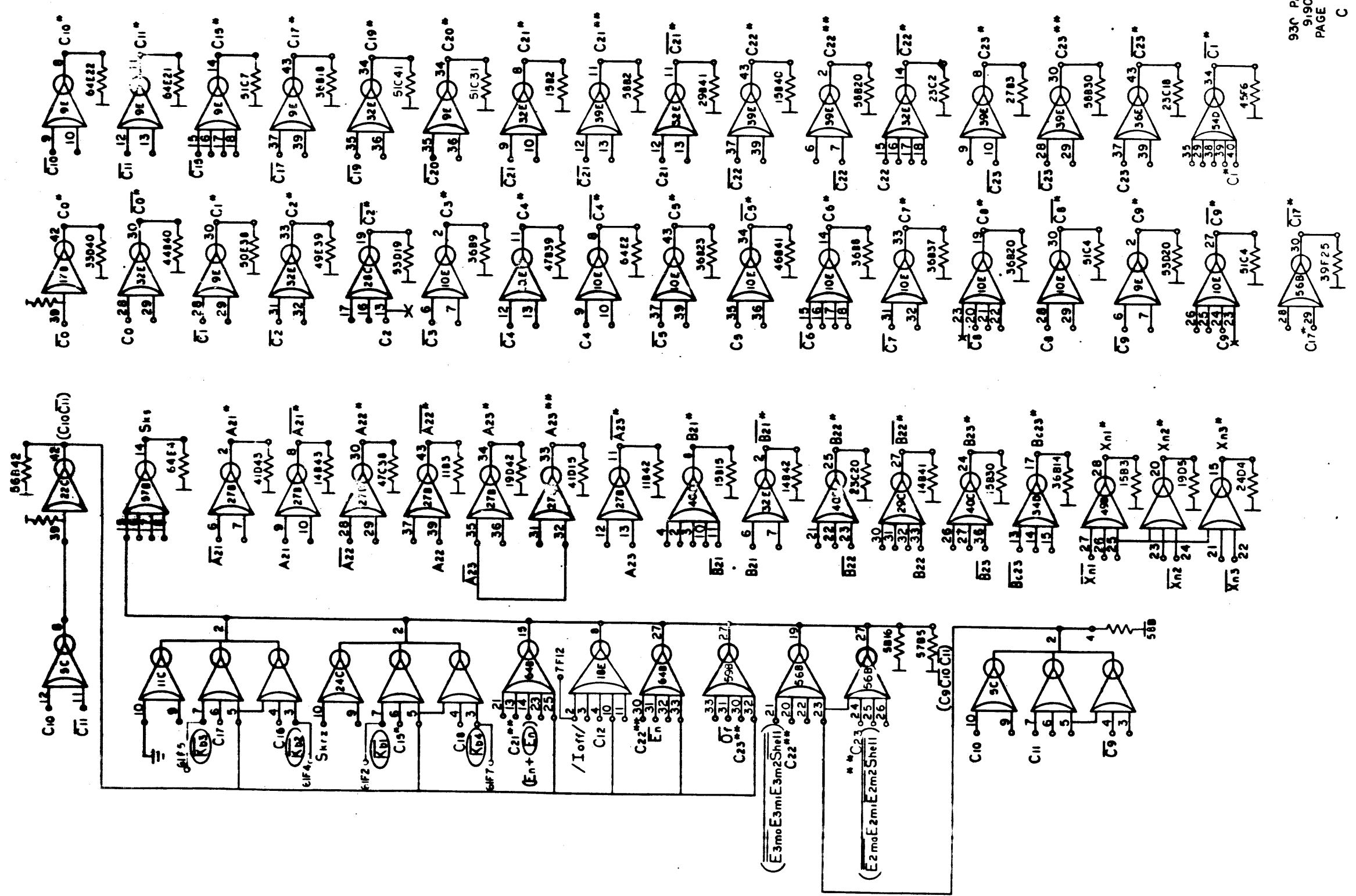
108843 B

**QID**  
QUALITY IMPROVEMENT DIVISION

DIAGRAM, LOGIC  
COMPUTER (MOD)

91903	108843	B
SCALE: DO NOT SCALE DRAWING		

REVISIONS			108843
REV	DESCRIPTION	CHK	DATE
C	SEE REV. E.O.		



93C PAGE 74  
91903  
PAGE 5  
C

**DIAGRAM, LOGIC COMPUTER (MOD)**

91903	108843	C
-------	--------	---



